



ARCHITECTURAL RANGE

CONTENTS

CONCEAL SERIES

C62
C83
C86
C82W
TECHNICAL SPECIFICATIONS

pg. 03-07
pg. 04
pg. 05
pg. 06
pg. 07
pg. 41-42

STUDIO 6

6IW
8IW
66LCR
88LCR
THEATER
TECHNICAL SPECIFICATIONS

pg. 08-13
pg. 09
pg. 10
pg. 11
pg. 12
pg. 13
pg. 43-47

STUDIO 2

6IC
8IC
6ICDT
6IW
8IW
55IW
88IW
TECHNICAL SPECIFICATIONS

pg. 14-21
pg. 15
pg. 16
pg. 17
pg. 18
pg. 19
pg. 20
pg. 21
pg. 47-50

STAGE 2

260W
280W
250WL
260C
280C
260CDT
260CSA
280CSA
TECHNICAL SPECIFICATIONS

pg. 22-30
pg. 23
pg. 24
pg. 25
pg. 26
pg. 27
pg. 28
pg. 29
pg. 30
pg. 51-54

B SERIES

6IC
8IC
6ICDT
6IW
8IW
TECHNICAL SPECIFICATIONS

pg. 31-36
pg. 32
pg. 33
pg. 34
pg. 35
pg. 36
pg. 55-58

STAGE XD

Stage XD-5
Stage XD-6
TECHNICAL SPECIFICATIONS

pg. 37-39
pg. 38
pg. 39
pg. 59-60



2023
ARCHITECTURAL
RANGE

JBL CONCEAL SERIES

The JBL Conceal Series combines patented technologies with JBL's acoustic design to deliver a product that truly disappears into the room. The products in the Conceal Series include a compression molded baffle with a proprietary FidelityGlass™ acoustic panel, an integrated rear enclosure, and advanced transducers and network designs. The products install as easily as a standard drywall patch and feature a paintable surface that can also be custom finished. With a broad hemispherical coverage pattern and no visible components, JBL Conceal Series loudspeakers can be discreetly and optimally located throughout an environment, immersing the listener in great sound that is heard and not seen.



CONCEAL C62

6.5-inch (165mm) 2-element
Invisible Loudspeaker

The JBL Conceal Series are high-performance invisible architectural loudspeakers featuring a single panel design with premium acoustic performance.

FEATURES

- / One-piece design with 6.5-inch (165mm) woofer and single-element MF/HF transducer
- / Proprietary FidelityGlass™ acoustic panel and compression molded baffle
- / Custom designed transducers with JBL premium acoustic crossover network
- / Integrated wooden back box enclosure for reduced acoustic intrusion into adjacent spaces
- / Loudspeaker system installs like a standard drywall patch
- / Paintable surface can also be custom finished for complete invisibility

SPEC

Description: 6.5-inch (165mm) 2-element Invisible Loudspeaker

Nominal Impedance: 4Ω

Recommended Amplifier Power: 50 – 100 Watts RMS

Sensitivity: 83 dB/1W/1m measured in-room

Frequency Response: 45 Hz – 20 kHz (-6dB) measured in-room

Driver Technology: Direct-coupled Transducers (HF) and Acoustic Levered Cone Woofer (LF)

Panel Size: (H x W x D): 11-7/8" H x 15-7/8" W x 3-7/8" D (302mm H x 403mm W x 98mm D)

Vist page 42 for product size diagram



CONCEAL C83

8-inch (200mm) 3-element
Invisible Loudspeaker

The JBL Conceal Series are high-performance invisible architectural loudspeakers featuring a single panel design with premium acoustic performance.



CONCEAL C86

8-inch (200mm) 6-element Dual Panel
Invisible Loudspeaker

The JBL Conceal Series are high-performance invisible architectural loudspeakers featuring a single panel design with premium acoustic performance.

FEATURES

- / One-piece design with 8-inch (200mm) woofer and dual MF/HF transducers
- / Proprietary FidelityGlass™ acoustic panel and compression molded baffle
- / Custom designed transducers with JBL premium acoustic crossover network
- / Integrated wooden back box enclosure for reduced acoustic intrusion into adjacent spaces
- / Loudspeaker system installs like a standard drywall patch
- / Paintable surface can also be custom finished for complete invisibility

SPEC

Description: 8-inch (200mm) 3-element Invisible Loudspeaker

Nominal Impedance: 4 Ohm

Recommended Amplifier Power: 50 – 160 Watts RMS

Sensitivity: 84 dB/1W/1m measured in-room

Frequency Response: 45 Hz – 20 kHz (-6dB) measured in-room

Driver Technology: Direct-coupled Transducers (HF/MF) and Acoustic Levered Cone Woofer (LF)

Panel Size: (H x W x D): 22" H x 15-7/8" W x 3-7/8" D (559mm H x 403mm W x 98mm D)

Vist page **42** for product size diagram

FEATURES

- / Two-piece design with 8-inch (200mm) LF panel and separate five-element HF panel
- / Proprietary FidelityGlass™ acoustic panel and compression molded baffle
- / Custom designed transducers with JBL premium acoustic crossover network
- / Integrated back box enclosure
- / Installs like a standard drywall patch
- / Paintable surface can also be custom finished for complete invisibility

SPEC

Description: 2-Panel 6-element 3-way Full Range Invisible Loudspeaker

Nominal Impedance: 4Ω

Recommended Amplifier Power: 50 – 200 Watts RMS

Sensitivity: 84 dB/1W/1m measured in-room

Frequency Response: 45 Hz – 20 kHz (-6dB) measured in-room

Driver Technology: Direct-coupled Transducers (HF/MF) and Acoustic Levered Cone Woofer (LF)

Panel Size: HMF/HF Panel: 11-7/8" H x 15-7/8" W x 3-7/8" D (302mm H x 403mm W x 98mm D)
LF Panel: 22" H x 15-7/8" W x 3-7/8" D (559mm H x 403mm W x 98mm D)

Vist page **42** for product size diagram



CONCEAL 82W

Dual 8-inch (200mm) Dual Panel Invisible
Subwoofer System

The JBL Conceal Series are high-performance invisible architectural loudspeakers featuring a single panel design with premium acoustic performance.

FEATURES

- / Dual-panel design each with dual 8-inch (200mm) woofers
- / Proprietary FidelityGlass™ acoustic panels and compression molded baffles
- / Integrated wooden back box enclosure for reduced acoustic intrusion into adjacent spaces
- / Loudspeaker system installs like a standard drywall patch
- / Paintable surface can also be custom finished for complete invisibility

SPEC

Description: Dual 8-inch (200mm) Dual Panel Invisible Subwoofer System

Nominal Impedance: 8Ω (per pair)

Recommended Amplifier Power: 60 – 100 Watts RMS (per panel)

Sensitivity: 86 dB/1W/1m measured in-room

Frequency Response: 30 Hz – 300 Hz (-6dB) measured in-room

Driver Technology: Acoustic Levered Cone Woofers

Panel Size: (H x W x D): 30" H x 15-7/8" W x 3-7/8" D (762mm H x 403mm W x 98mm D)

Packed and sold in pairs

Vist page 42 for product size diagram

JBL STUDIO 6

Feel the drama with JBL Studio 6 architectural speakers. The ultimate cinematic home audio experience. Your sound will stand out, while your speakers blend in. Easy to install and designed with no-frame magnetic, zero-bezel grilles that fit snug with the wall, they let powerful JBL signature sound fill the space, rather than your speakers. With a JBL compression driver straight from the professional world, and integrated treble and bass control, these professional quality, high-performance speakers can be easily adjusted to fit your home.



Studio 6 61W /
Page 09

Studio 6 81W /
Page 10

Studio 6 66LCR /
Page 11

Studio 6 88LCR /
Page 12

Studio 6 Theater /
Page 13



STUDIO 6 6IW

6.5-Inch In-Wall Loudspeaker

The JBL Studio 6 architectural speakers are the ultimate cinematic home audio experience.



STUDIO 6 8IW

8-Inch In-Wall Loudspeaker

The JBL Studio 6 architectural speakers are the ultimate cinematic home audio experience.

FEATURES

- / JBL compression driver
- / High Definition Imaging (HDI) waveguide
- / Paintable, zero-bezel magnetic grille
- / Polyplas woofer
- / Treble and Bass EQ control

SPEC

Impedance: 6Ω
Recommended Amplifier Power: 25W - 125W
Frequency Response: 45–20kHz
Crossover Frequency: 2.5kHz
Loudspeaker Sensitivity: 91dB
Woofer: 6.5" (165mm) Polyplas® woofer
Tweeter: High Definition Imaging (HDI) Waveguide with 1" (25mm) High Frequency Compression Driver
Cutout Dimensions: 7.1" x 10.8" (180mm x 275mm)
Grille Finished Dimensions: 8.2" x 12" (209mm x 305mm)
Mounting Depth: 3.7" (95mm)

Vist page 45 for product size diagram

FEATURES

- / JBL compression driver
- / High Definition Imaging (HDI) waveguide
- / Paintable, zero-bezel magnetic grille
- / Polyplas woofer
- / Treble and Bass EQ control

SPEC

Impedance: 6Ω
Recommended Amplifier Power: 25W - 125W
Frequency Response: 43–20kHz
Crossover Frequency: 2.5kHz
Loudspeaker Sensitivity: 93dB
Woofer: 8" (203mm) Polyplas® woofer
Tweeter: High Definition Imaging (HDI) Waveguide with 1" (25mm) High Frequency Compression Driver
Cutout Dimensions: 8.7" x 12.5" (221mm x 318mm)
Grille Finished Dimensions: 9.9" x 13.7" (251mm x 349mm)
Mounting Depth: 3.7" (95mm)

Vist page 45 for product size diagram



STUDIO 6 66LCR

Dual 6.5-Inch In-Wall Loudspeaker

The JBL Studio 6 architectural speakers are the ultimate cinematic home audio experience.

SPEC

Impedance: 6Ω
Recommended Amplifier Power: 25W - 150W
Frequency Response: 45–20kHz
Crossover Frequency: 2.5kHz
Loudspeaker Sensitivity: 91dB
Woofers: 2 x 6.5" (165mm) Polyplas® woofer
Tweeter: High Definition Imaging (HDI) Waveguide with 1" (25mm) High Frequency Compression Driver
Cutout Dimensions: 7" x 17.4" (180mm x 443mm)
Grille Finished Dimensions: 8.2" x 18.6" (209mm x 473mm)
Mounting Depth: 3.7" (95mm)

Vist page **45** for product size diagram



STUDIO 6 88LCR

Dual 8-Inch In-Wall Loudspeaker

The JBL Studio 6 architectural speakers are the ultimate cinematic home audio experience.

FEATURES

- / JBL compression driver
- / High Definition Imaging (HDI) waveguide
- / Paintable, zero-bezel magnetic grille
- / Polyplas woofer
- / Treble and Bass EQ control

SPEC

Impedance: 6Ω
Recommended Amplifier Power: 50W - 175W
Frequency Response: 47–20kHz
Crossover Frequency: 2.5kHz
Loudspeaker Sensitivity: 96dB
Woofers: 2 x 8" (203mm) Polyplas® woofer
Tweeter: High Definition Imaging (HDI) Waveguide with 1" (25mm) High Frequency Compression Driver
Cutout Dimensions: 8.7" x 20.4" (221mm x 517mm)
Grille Finished Dimensions: 9.9" x 21.5" (251mm x 547mm)
Mounting Depth: 3.7" (94.5mm)

Vist page **46** for product size diagram



STUDIO 6 THEATER

Quad 5.25-Inch In-Wall Loudspeaker

The JBL Studio 6 architectural speakers are the ultimate cinematic home audio experience.

FEATURES

- / JBL compression driver
- / High Definition Imaging (HDI) waveguide
- / Paintable, zero-bezel magnetic grille
- / Polyplas woofer
- / Treble and Bass EQ control

SPEC

Impedance: 6Ω
Recommended Amplifier Power: 50W - 150W
Frequency Response: 65–20kHz
Crossover Frequency: 2.5kHz
Loudspeaker Sensitivity: 96dB
Woofer: 4 x 5.25" (133mm) Polyplas® woofer
Tweeter: High Definition Imaging (HDI) Waveguide with 1" (25mm) High Frequency Compression Driver
Cutout Dimensions: 6.2" x 25.3" (157mm x 642mm)
Grille Finished Dimensions: 7.4" x 26.5" (188mm x 674mm)
Mounting Depth: 3.7" (94.5mm)

Vist page 46 for product size diagram

JBL STUDIO 2

The JBL Studio 2 architectural series premium loudspeakers represent best in class architectural audio. A PolyPlas® woofer cone, CMMD® lite tweeter and advanced crossover network ensure low distortion and accurate sound reproduction, and the pivoting, adjustable level tweeter can compensate for any acoustical room conditions. The proprietary JBL High Definition Imaging (HDI) waveguide ensures that the loudspeaker fills the room with cinema-quality sound from any location – even high elevations or off-axis listening locations. The JBL Studio 2 architectural series features a nearly invisible, paintable, zero-bezel profile that blends into any environment. The sturdy, reliable design features the XL-2 bracket, suitable for installation in any wall or ceiling up to 2" thick. The series is engineered to match the award-winning JBL Studio 2 component loudspeakers, and is perfect for a complete custom home theater or whole-house audio applications.



Studio 2 6IC /
Page 15

Studio 2 8IC /
Page 16

Studio 2 6ICDT /
Page 17

Studio 2 6IW /
Page 18

Studio 2 8IW /
Page 19

Studio 2 551W /
Page 20

Studio 2 88IW /
Page 21



STUDIO 2 6IC

6.5-Inch In-Ceiling Loudspeaker

The JBL Studio 2 architectural series premium loudspeakers represent best in class architectural audio.

FEATURES

- / Sound Inspired by JBL's legendary M2 Master Reference Monitor
- / Paintable, nearly invisible zero-bezel magnetic grille
- / Superior XL-2 installation bracket
- / Pivoting Tweeters
- / Tweeter Audio Level Adjustment

SPEC

Impedance: 8Ω

Recommended Amplifier Power: 80W

Frequency Response: 38Hz - 20kHz

Crossover Frequency: 2.5kHz

Loudspeaker Sensitivity: 86dB 2.83V @ 1m

Low Frequency Driver Size and Material: 6-1/2" (165mm) Polyplas® Woofer

High Frequency Driver Size and Material: 1" (25mm) Pivoting CMMD® Lite Tweeter

Lite Tweeter High Frequency Control: +/- 3dB

Cutout Dimensions: (D) 8" (203mm)

Grille Finished Dimensions: (D) 9-3/32" (231mm)

Mounting Depth: 4-11/16" (119mm)

Compatible Wall Material Thickness: 0.5"-2.0" (12mm-51mm)

Vist page **49** for product size diagram



STUDIO 2 8IC

8-Inch In-Ceiling Loudspeaker

The JBL Studio 2 architectural series premium loudspeakers represent best in class architectural audio.

FEATURES

- / Sound Inspired by JBL's legendary M2 Master Reference Monitor
- / Paintable, nearly invisible zero-bezel magnetic grille
- / Superior XL-2 installation bracket
- / Pivoting Tweeters
- / Tweeter Audio Level Adjustment

SPEC

Impedance: 8Ω

Recommended Amplifier Power: 100W

Frequency Response: 30Hz - 20kHz

Crossover Frequency: 2.1kHz

Loudspeaker Sensitivity: 88dB 2.83V @ 1m

Low Frequency Driver Size and Material: 8" (203mm) Polyplas® Woofer

High Frequency Driver Size and Material: 1" (25mm) Pivoting CMMD® Lite Tweeter

Lite Tweeter High Frequency Control: +/- 3dB

Cutout Dimensions: (D) 9-5/8" (244mm)

Grille Finished Dimensions: (D) 10-11/16" (272mm)

Mounting Depth: 5-13/64" (132mm)

Compatible Wall Material Thickness: 0.5"-2.0" (12mm-51mm)

Vist page **49** for product size diagram



STUDIO 2 6ICDT

6.5-Inch Dual-Tweeter In-Ceiling Loudspeaker

The JBL Studio 2 architectural series premium loudspeakers represent best in class architectural audio.



STUDIO 2 6IW

6.5-Inch In-Wall Loudspeaker

The JBL Studio 2 architectural series premium loudspeakers represent best in class architectural audio.

FEATURES

- / Sound Inspired by JBL's legendary M2 Master Reference Monitor
- / Paintable, nearly invisible zero-bezel magnetic grille
- / Superior XL-2 installation bracket
- / Pivoting Tweeters
- / Tweeter Audio Level Adjustment

SPEC

Impedance: 8Ω
Recommended Amplifier Power: 80W
Frequency Response: 38Hz - 20kHz
Crossover Frequency: 3.7kHz
Loudspeaker Sensitivity: 86dB 2.83V @ 1m
Low Frequency Driver Size and Material: 6-1/2" (165mm) Polyplas® Woofer
High Frequency Driver Size and Material: 2 x 3/4" (19mm) Pivoting CMMD® Lite Tweeter
Lite Tweeter High Frequency Control: +/- 3dB
Cutout Dimensions: (D) 8" (203mm)
Grille Finished Dimensions: (D) 9-3/32" (231mm)
Mounting Depth: 4-11/16" (119mm)
Compatible Wall Material Thickness: 0.5"-2.0" (12mm-51mm)

Vist page **49** for product size diagram

FEATURES

- / Sound Inspired by JBL's legendary M2 Master Reference Monitor
- / Paintable, nearly invisible zero-bezel magnetic grille
- / Superior XL-2 installation bracket
- / Pivoting Tweeters
- / Tweeter Audio Level Adjustment

SPEC

Impedance: 8Ω
Recommended Amplifier Power: 80W
Frequency Response: 38Hz - 20kHz
Crossover Frequency: 3.0kHz
Loudspeaker Sensitivity: 86dB 2.83V @ 1m
Low Frequency Driver Size and Material: 6-1/2" (165mm) Polyplas® Woofer
High Frequency Driver Size and Material: 1" (25mm) Pivoting CMMD® Lite Tweeter
Lite Tweeter High Frequency Control: +/- 3dB
Cutout Dimensions: (H x W) 9-13/16" x 7-9/32" (249mm x 212mm)
Grille Finished Dimensions: (H x W) 10-7/8" x 8-11/32" (276mm x 212mm)
Mounting Depth: 3-19/32" (91mm)
Compatible Wall Material Thickness: 0.5"-2.0" (12mm-51mm)

Vist page **50** for product size diagram



STUDIO 2

81W

8-Inch In-Wall Loudspeaker

The JBL Studio 2 architectural series premium loudspeakers represent best in class architectural audio.



STUDIO 2

551W

Dual 5.25-Inch In-Wall Loudspeaker

The JBL Studio 2 architectural series premium loudspeakers represent best in class architectural audio.

FEATURES

- / Sound Inspired by JBL's legendary M2 Master Reference Monitor
- / Paintable, nearly invisible zero-bezel magnetic grille
- / Superior XL-2 installation bracket
- / Pivoting Tweeters
- / Tweeter Audio Level Adjustment

SPEC

Impedance: 8Ω

Recommended Amplifier Power: 100W

Frequency Response: 30Hz - 20kHz

Crossover Frequency: 2.8kHz

Loudspeaker Sensitivity: 88dB 2.83V @ 1m

Low Frequency Driver Size and Material: 8" (203mm) Polyplas® Woofer

High Frequency Driver Size and Material: 1" (25mm) Pivoting CMMD® Lite Tweeter

Lite Tweeter High Frequency Control: +/- 3dB

Cutout Dimensions: (H x W) 11-15/16" x 8-15/16" (303mm x 227mm)

Grille Finished Dimensions: (H x W) 13" x 10" (330mm x 254mm)

Mounting Depth: 3-13/16" (97mm)

Compatible Wall Material Thickness: 0.5"-2.0" (12mm-51mm)

Vist page 50 for product size diagram

FEATURES

- / Sound Inspired by JBL's legendary M2 Master Reference Monitor
- / Paintable, nearly invisible zero-bezel magnetic grille
- / Superior XL-2 installation bracket
- / Pivoting Tweeters
- / Tweeter Audio Level Adjustment

SPEC

Impedance: 8Ω

Recommended Amplifier Power: 120W

Frequency Response: 40Hz - 20kHz

Crossover Frequency: 2.7kHz

Loudspeaker Sensitivity: 88dB 2.83V @ 1m

Low Frequency Driver Size and Material: Dual 5-1/4" (133mm) Polyplas® Woofer

High Frequency Driver Size and Material: 1" (25mm) Pivoting CMMD® Lite Tweeter

Lite Tweeter High Frequency Control: +/- 3dB

Cutout Dimensions: (H x W) 14-1/8" x 6-13/32" (359mm x 163mm)

Grille Finished Dimensions: (H x W) 15-1/8" x 7-13/32" (384mm x 188mm)

Mounting Depth: 3.0" (76mm)

Compatible Wall Material Thickness: 0.5"-2.0" (12mm-51mm)

Vist page 50 for product size diagram



STUDIO 2 881W

Dual 8-Inch In-Wall Loudspeaker

The JBL Studio 2 architectural series premium loudspeakers represent best in class architectural audio.

FEATURES

- / Premium In-Wall Loudspeaker with 2 x 8" Woofers
- / Sound Inspired by JBL's legendary M2 Master Reference Monitor
- / Paintable, nearly invisible zero-bezel magnetic grille
- / Superior XL-2 installation bracket
- / Pivoting Tweeters
- / Tweeter Audio Level Adjustment

SPEC

- Impedance:** 8Ω
- Recommended Amplifier Power:** 150W
- Frequency Response:** 30Hz - 20kHz
- Crossover Frequency:** 2.8kHz
- Loudspeaker Sensitivity:** 88dB 2.83V @ 1m
- Low Frequency Driver Size and Material:** 8" (203mm) Polyplas® Woofer
- High Frequency Driver Size and Material:** 1" (25mm) Pivoting CMMD® Lite Tweeter
- Lite Tweeter High Frequency Control:** +/- 3dB
- Cutout Dimensions:** (H x W) 20-1/16" x 9" (510mm x 227mm)
- Grille Finished Dimensions:** (H x W) 21-3/16" x 10" (538mm x 254mm)
- Mounting Depth:** 3-13/16" (96mm)
- Compatible Wall Material Thickness:** 0.5"-2.0" (12mm-51mm)

Vist page 50 for product size diagram

JBL STAGE 2

The Stage Architectural Series was designed to deliver iconic JBL sound that blends into the environment so that the music stands out. All models are crafted to be visually discrete with zero bezel grilles and easy installation allowing these speakers to be heard and not seen. Elements including baffles with acoustic smoothing, acoustic lens tweeters, and patented High-Definition Imaging (HDI™) horns have been incorporated into the design to ensure that the sound is clear and accurate. A range of eight models are available in various configurations for In-Wall and In-Ceiling installation.



Stage 2
260W /
Page 23

Stage 2
280W /
Page 24

Stage 2
250WL /
Page 25

Stage 2
260C /
Page 26

Stage 2
280C /
Page 27

Stage 2
260CDT /
Page 28

Stage 2
260CSA /
Page 29

Stage 2
280CSA /
Page 30



STAGE 2 260W

6.5-inch In-Wall Loudspeaker

A range of eight models designed to deliver iconic JBL sound that blends into the environment so that the music stands out.

FEATURES

- / Rigid Baffle design with acoustic smoothing for improved transducer integration
- / Aluminum Dome Tweeters with Acoustic Lens for smooth on and off axis frequency response
- / High-Definition Imaging (HDI™) horns with optimized geometry for smooth dispersion and low distortion
- / Harman target curve acoustic performance for smooth accurate sound over a large listening area
- / Zero bezel metal grille installs flush to wall or ceiling for clean inconspicuous appearance
- / XL-2 installation system compatible with up to 2" (50mm) thick wall/ceiling material

SPEC

High Frequency Transducer: 1" (25mm) Aluminum dome with High-Definition Imaging (HDI™) horn

Low Frequency Transducer: 6.5" (165mm) Polycellulose cone woofer

Recommended Power: 20-100W RMS

Frequency Response: 50Hz-25kHz (-6dB on-axis)

Sensitivity (2.83V@1m): 87dB

Impedance: 8Ω

Crossover Frequency: 1900Hz

Inputs: Nickel-plated spring-loaded connectors

Grille Dimensions: H: 19.5in (496mm) x W: 7.6in (194mm)

Cutout Dimensions: H: 12.2in (311mm) x W: 7.2in (184mm)

Mounting Depth: 3.8in (96mm)

Vist page **53** for product size diagram



STAGE 2 280W

8-Inch In-Wall Loudspeaker

A range of eight models designed to deliver iconic JBL sound that blends into the environment so that the music stands out.

FEATURES

- / Rigid Baffle design with acoustic smoothing for improved transducer integration
- / Aluminum Dome Tweeters with Acoustic Lens for smooth on and off axis frequency response
- / High-Definition Imaging (HDI™) horns with optimized geometry for smooth dispersion and low distortion
- / Harman target curve acoustic performance for smooth accurate sound over a large listening area
- / Zero bezel metal grille installs flush to wall or ceiling for clean inconspicuous appearance
- / XL-2 installation system compatible with up to 2" (50mm) thick wall/ceiling material

SPEC

High Frequency Transducer: 1" (25mm) Aluminum dome with High-Definition Imaging (HDI™) horn

Low Frequency Transducer: 8" (200mm) Polycellulose cone woofer

Recommended Power: 20-120W RMS

Frequency Response: 42Hz-25kHz (-6dB on-axis)

Sensitivity (2.83V@1m): 90dB

Impedance: 8Ω

Crossover Frequency: 1700Hz

Inputs: Nickel-plated spring-loaded connectors

Grille Dimensions: H: 13.3in (339mm) x W: 8.5in (217mm)

Cutout Dimensions: H: 14.6in (372mm) x W: 9.4in (238mm)

Mounting Depth: 3.6in (92mm)

Vist page **53** for product size diagram



STAGE 2 250WL

Dual 5.25-Inch In-Wall Loudspeaker

A range of eight models designed to deliver iconic JBL sound that blends into the environment so that the music stands out.

FEATURES

- / Rigid Baffle design with acoustic smoothing for improved transducer integration
- / Aluminum Dome Tweeters with Acoustic Lens for smooth on and off axis frequency response
- / High-Definition Imaging (HDI™) horns with optimized geometry for smooth dispersion and low distortion
- / Harman target curve acoustic performance for smooth accurate sound over a large listening area
- / Zero bezel metal grille installs flush to wall or ceiling for clean inconspicuous appearance
- / XL-2 installation system compatible with up to 2" (50mm) thick wall/ceiling material

SPEC

High Frequency Transducer: 1" (25mm) Aluminum dome with High-Definition Imaging (HDI™) horn

Low Frequency Transducer: Dual 5.25" (130mm) Polycellulose cone woofer

Recommended Power: 20-120W RMS

Frequency Response: 52Hz-25kHz (-6dB on-axis)

Sensitivity (2.83V@1m): 90dB

Impedance: 8Ω

Crossover Frequency: 2100Hz

Inputs: Nickel-plated spring-loaded connectors

Grille Dimensions: H: 15.7in (400mm) x W 10.5in (266mm)

Cutout Dimensions: 18.1in (460mm) x W: 6.4in (162mm)

Mounting Depth: 3.9in (98mm)

Vist page **53** for product size diagram



STAGE 2 260C

6.5-Inch In-Ceiling Loudspeaker

A range of eight models designed to deliver iconic JBL sound that blends into the environment so that the music stands out.

FEATURES

- / Rigid Baffle design with acoustic smoothing for improved transducer integration
- / Aluminum Dome Tweeters with Acoustic Lens for smooth on and off axis frequency response
- / High-Definition Imaging (HDI™) horns with optimized geometry for smooth dispersion and low distortion
- / Harman target curve acoustic performance for smooth accurate sound over a large listening area
- / Zero bezel metal grille installs flush to wall or ceiling for clean inconspicuous appearance
- / XL-2 installation system compatible with up to 2" (50mm) thick wall/ceiling material

SPEC

High Frequency Transducer: 1" (25mm) Aluminum dome with Acoustic Lens

Low Frequency Transducer: 6.5" (165mm) Polycellulose cone woofer

Recommended Power: 20-100W RMS

Frequency Response: 50Hz-25kHz (-6dB on-axis)

Sensitivity (2.83V@1m): 87dB

Impedance: 8Ω

Crossover Frequency: 3000Hz

Inputs: Nickel-plated spring-loaded connectors

Grille Dimensions: Dia: 9.2in (233mm)

Cutout Dimensions: Dia: 8in (203mm)

Mounting Depth: 3.9in (100mm)

Vist page **53** for product size diagram



STAGE 2 280C

8-Inch In-Ceiling Loudspeaker

A range of eight models designed to deliver iconic JBL sound that blends into the environment so that the music stands out.

FEATURES

- / Rigid Baffle design with acoustic smoothing for improved transducer integration
- / Aluminum Dome Tweeters with Acoustic Lens for smooth on and off axis frequency response
- / High-Definition Imaging (HDI™) horns with optimized geometry for smooth dispersion and low distortion
- / Harman target curve acoustic performance for smooth accurate sound over a large listening area
- / Zero bezel metal grille installs flush to wall or ceiling for clean inconspicuous appearance
- / XL-2 installation system compatible with up to 2" (50mm) thick wall/ceiling material

SPEC

High Frequency Transducer: 1" (25mm) Aluminum dome with Acoustic Lens

Low Frequency Transducer: 8" (200mm) Polycellulose cone woofer

Recommended Power: 20-120W RMS

Frequency Response: 42Hz-25kHz (-6dB on-axis)

Sensitivity (2.83V@1m): 90dB

Impedance: 8Ω

Crossover Frequency: 3400Hz

Inputs: Nickel-plated spring-loaded connectors

Grille Dimensions: Dia: 10.8in (275mm)

Cutout Dimensions: Dia: 9.6in (244mm)

Mounting Depth: 4.3in (108mm)

Vist page **54** for product size diagram



STAGE 2 260CDT

6.5-Inch Dual-Tweeter In-Ceiling Loudspeaker

A range of eight models designed to deliver iconic JBL sound that blends into the environment so that the music stands out.

FEATURES

- / Rigid Baffle design with acoustic smoothing for improved transducer integration
- / Aluminum Dome Tweeters with Acoustic Lens for smooth on and off axis frequency response
- / High-Definition Imaging (HDI™) horns with optimized geometry for smooth dispersion and low distortion
- / Harman target curve acoustic performance for smooth accurate sound over a large listening area
- / Zero bezel metal grille installs flush to wall or ceiling for clean inconspicuous appearance
- / XL-2 installation system compatible with up to 2" (50mm) thick wall/ceiling material

SPEC

High Frequency Transducer: Dual 3/4" (20mm) Aluminum dome with Acoustic Lens

Low Frequency Transducer: Dual VC 6.5" (165mm) Polycellulose cone woofer

Recommended Power: 20-75W RMS

Frequency Response: 50Hz-25kHz (-6dB on-axis)

Sensitivity (2.83V@1m): 90dB

Impedance: 8Ω

Crossover Frequency: 2900Hz

Inputs: Nickel-plated spring-loaded connectors

Grille Dimensions: Dia: 9.2in (233mm)

Cutout Dimensions: Dia: 8in (203mm)

Mounting Depth: 4.2in (106mm)

Vist page **54** for product size diagram



STAGE 2 260CSA

6.5-Inch In-Ceiling Loudspeaker

A range of eight models designed to deliver iconic JBL sound that blends into the environment so that the music stands out.

FEATURES

- / Rigid Baffle design with acoustic smoothing for improved transducer integration
- / Aluminum Dome Tweeters with Acoustic Lens for smooth on and off axis frequency response
- / High-Definition Imaging (HDI™) horns with optimized geometry for smooth dispersion and low distortion
- / Harman target curve acoustic performance for smooth accurate sound over a large listening area
- / Zero bezel metal grille installs flush to wall or ceiling for clean inconspicuous appearance
- / XL-2 installation system compatible with up to 2" (50mm) thick wall/ceiling material

SPEC

High Frequency Transducer: 1" (25mm) Aluminum dome with Acoustic Lens

Low Frequency Transducer: 6.5" (165mm) Polycellulose cone woofer

Recommended Power: 20-100W RMS

Frequency Response: 50Hz-25kHz (-6dB on-axis)

Sensitivity (2.83V@1m): 87dB

Impedance: 8Ω

Crossover Frequency: 2800Hz

Inputs: Nickel-plated spring-loaded connectors

Grille Dimensions: H 9.8in (248mm) x W 9.8in (248mm)

Cutout Dimensions: H: 8.6in (219mm) x W: 8.6in (219mm)

Mounting Depth: 5in (127mm)

Vist page **54** for product size diagram



STAGE 2 280CSA

8-Inch In-Ceiling Loudspeaker

A range of eight models designed to deliver iconic JBL sound that blends into the environment so that the music stands out.

FEATURES

- / Rigid Baffle design with acoustic smoothing for improved transducer integration
- / Aluminum Dome Tweeters with Acoustic Lens for smooth on and off axis frequency response
- / High-Definition Imaging (HDI™) horns with optimized geometry for smooth dispersion and low distortion
- / Harman target curve acoustic performance for smooth accurate sound over a large listening area
- / Zero bezel metal grille installs flush to wall or ceiling for clean inconspicuous appearance
- / XL-2 installation system compatible with up to 2" (50mm) thick wall/ceiling material

SPEC

High Frequency Transducer: 1" (25mm) Aluminum dome with Acoustic Lens

Low Frequency Transducer: 8" (200mm) Polycellulose cone woofer

Recommended Power: 20-120W RMS

Frequency Response: 42Hz-25kHz (-6dB on-axis)

Sensitivity (2.83V@1m): 90dB

Impedance: 8Ω

Crossover Frequency: 2900Hz

Inputs: Nickel-plated spring-loaded connectors

Grille Dimensions: H 11.4in (289mm) x W 11.4in (289mm)

Cutout Dimensions: H: 10.2in (260mm) x W: 10.2in (260mm)

Mounting Depth: 5.4in (138mm)

Vist page **54** for product size diagram

JBL B-SERIES

Introducing the JBL B-Series architectural loudspeakers. Designed with paintable grilles to blend into your décor and crafted for wide sound dispersion, the JBL B-Series loudspeakers feature a modern, virtually invisible design, powerful JBL Signature sound and are easy to install. Built to last with quality materials including a moisture-resistant design, which are perfect for bathroom installations, the JBL B-Series loudspeakers also deliver high power handling and sensitivity for full sound.



B SERIES 6IC

6.5-inch In-Ceiling Loudspeaker

The JBL B-Series loudspeakers feature a modern, virtually invisible design, powerful JBL Signature sound and are easy to install. Built to last with quality materials including a moisture-resistant design, which are perfect for bathroom installations.

FEATURES

- / Powerful JBL sound quality. Immerse yourself in an amazing room-filling audio experience.
- / Easy installation. The standard 'dog-leg' brackets save installation time and provide a sturdy, reliable fit
- / Zero bezel grille. Seamlessly blends them into the room ceiling and wall
- / Wide sound dispersion. Experience room filling audio regardless of what angle the speakers are installed

SPEC

Nominal Impedance: 4Ω

Power (RMS/Peak): 35/140W

Frequency Response: 50Hz – 20kHz

Loudspeaker Sensitivity: 90dB

Woofer: 6.5" (165mm) Poly woofer

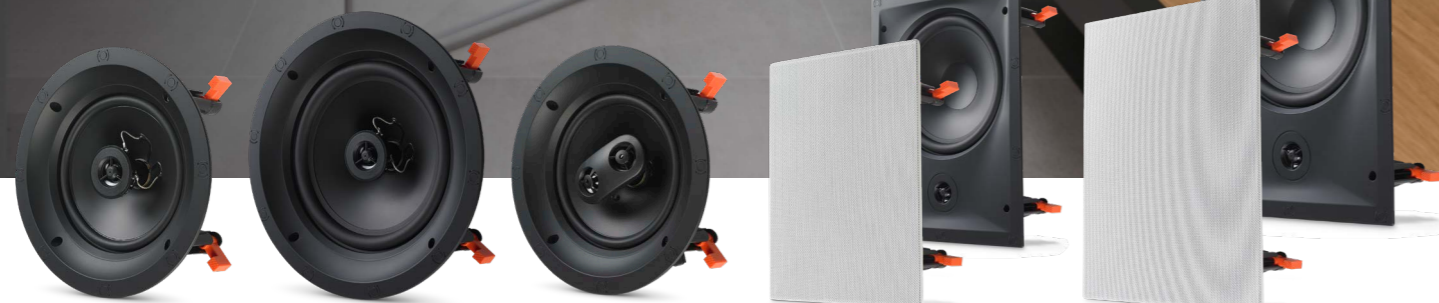
Tweeter: 0.5" (13mm) Polymer Tweeter

Cutout Dimensions: 7.9" (202mm)

Grille Finished Dimensions: 9.1" (232mm)

Mounting Depth: 3.6" (92mm)

Vist page 57 for product size diagram



B-Series **B-6IC** /
Page 32

B-Series **B-8IC** /
Page 33

B-Series **B-6ICDT** /
Page 34

B-Series **B-6IW** /
Page 35

B-Series **B-8IW** /
Page 36



B SERIES 81C

8-inch In-Ceiling Loudspeaker

The JBL B-Series loudspeakers feature a modern, virtually invisible design, powerful JBL Signature sound and are easy to install. Built to last with quality materials including a moisture-resistant design, which are perfect for bathroom installations.

FEATURES

- / Powerful JBL sound quality. Immerse yourself in an amazing room-filling audio experience.
- / Easy installation. The standard 'dog-leg' brackets save installation time and provide a sturdy, reliable fit
- / Zero bezel grille. Seamlessly blends them into the room ceiling and wall
- / Wide sound dispersion. Experience room filling audio regardless of what angle the speakers are installed

SPEC

Nominal Impedance: 4Ω
Power (RMS/Peak): 40/160W
Frequency Response: 45Hz – 20kHz
Loudspeaker Sensitivity: 92dB
Woofers: 8" (203mm) Poly woofer
Tweeter: 0.5" (13mm) Polymer Tweeter
Cutout Dimensions: 9.6" (243mm)
Grille Finished Dimensions: 10.7" (272mm)
Mounting Depth: 3.9" (100mm)

Vist page **57** for product size diagram



B SERIES 61CDT

6.5-inch Dual-tweeter In-ceiling Loudspeaker

The JBL B-Series loudspeakers feature a modern, virtually invisible design, powerful JBL Signature sound and are easy to install. Built to last with quality materials including a moisture-resistant design, which are perfect for bathroom installations.

FEATURES

- / Powerful JBL sound quality. Immerse yourself in an amazing room-filling audio experience.
- / Easy installation. The standard 'dog-leg' brackets save installation time and provide a sturdy, reliable fit
- / Zero bezel grille. Seamlessly blends them into the room ceiling and wall
- / Wide sound dispersion. Experience room filling audio regardless of what angle the speakers are installed

SPEC

Nominal Impedance: 4Ω
Power (RMS/Peak): 35/140W
Frequency Response: 50Hz – 20kHz
Loudspeaker Sensitivity: 90dB
Woofers: 6.5" (165mm) Poly woofer
Tweeter: 0.5" (13mm) Polymer Tweeter
Cutout Dimensions: 7.9" (202mm)
Grille Finished Dimensions: 9.1" (232mm)
Mounting Depth: 3.6" (92mm)

Vist page **57** for product size diagram



B SERIES 6IW

6.5-inch In-Wall Loudspeaker

The JBL B-Series loudspeakers feature a modern, virtually invisible design, powerful JBL Signature sound and are easy to install. Built to last with quality materials including a moisture-resistant design, which are perfect for bathroom installations.



B SERIES 8IW

8-inch In-Wall Loudspeaker

The JBL B-Series loudspeakers feature a modern, virtually invisible design, powerful JBL Signature sound and are easy to install. Built to last with quality materials including a moisture-resistant design, which are perfect for bathroom installations.

FEATURES

- / Powerful JBL sound quality. Immerse yourself in an amazing room-filling audio experience.
- / Easy installation. The standard 'dog-leg' brackets save installation time and provide a sturdy, reliable fit
- / Zero bezel grille. Seamlessly blends them into the room ceiling and wall
- / Wide sound dispersion. Experience room filling audio regardless of what angle the speakers are installed

SPEC

Nominal Impedance: 4Ω
Power (RMS/Peak): 40/160W
Frequency Response: 50Hz – 20kHz
Loudspeaker Sensitivity: 91dB
Woofers: 6.5" (165mm) Poly woofer
Tweeter: 0.5" (13mm) Polymer Tweeter
Cutout Dimensions: 9.7" x 7.2" (246mm x 182mm)
Grille Finished Dimensions: 8.4" x 10.9" (213mm x 277mm)
Mounting Depth: 3.3" (84mm)

Vist page **58** for product size diagram

FEATURES

- / Powerful JBL sound quality. Immerse yourself in an amazing room-filling audio experience.
- / Easy installation. The standard 'dog-leg' brackets save installation time and provide a sturdy, reliable fit
- / Zero bezel grille. Seamlessly blends them into the room ceiling and wall
- / Wide sound dispersion. Experience room filling audio regardless of what angle the speakers are installed

SPEC

Nominal Impedance: 4Ω
Power (RMS/Peak): 45/160W
Frequency Response: 45Hz – 20kHz
Loudspeaker Sensitivity: 91dB
Woofers: 8" (203mm) Poly woofer
Tweeter: 0.5" (13mm) Polymer Tweeter
Cutout Dimensions: 11.7" x 8.8" (299mm x 223mm)
Grille Finished Dimensions: 10" x 12.9" (255mm x 329mm)
Mounting Depth: 3.7" (96mm)

Vist page **58** for product size diagram

JBL STAGE XD

Stage XD Series loudspeakers are designed to work in a wide variety of applications both indoors and outdoors. Their unique combination of features and patented acoustic technology instills them with extreme durability while delivering the highest level of audio. Elements including acoustic lens Aluminum dome tweeters, and patented High-Definition Imaging (HDI™) waveguides have been incorporated into the design to ensure that the sound is clear and accurate. Stage XD Series loudspeakers are available in 2 sizes featuring 5.25" (130mm) or 6.5" (165mm) Polypropylene Graphite Filled Cone Woofer. The IP67-rated waterproof enclosures are available in black or white finishes and wall-mount brackets are included to support a variety of installation options.



Stage XD-5 /
Page 38

Stage XD-6 /
Page 39

STAGE XD-5

5.25-Inch Indoor/Outdoor All
Weather Loudspeaker



Stage XD Series loudspeakers are designed to work in a wide variety of applications both indoors and outdoors. Their unique combination of features and patented acoustic technology instills them with extreme durability while delivering the highest level of audio.

FEATURES

- / IP67 Waterproof rating provides protection from the harshest of outdoor conditions
- / Aluminum Dome Tweeters with Acoustic Lens for smooth on and off axis frequency response
- / High-Definition Imaging (HDI™) waveguides with optimized geometry for smooth dispersion and low distortion
- / Included wall-mount bracket allows for easy installation and angle adjustment
- / Zero bezel magnetically attached grilles
- / Rotatable logo for horizontal and vertical applications
- / Sustainably designed packaging and product – the first repairable IP67 outdoor loudspeaker

SPEC

Weatherproof Rating: IP67

High Frequency Transducer: 1" (25mm) Aluminum dome with High-Definition Imaging (HDI™) waveguide

Low Frequency Transducer: 5.25" (130mm) Polypropylene Cone Woofer

Impedance: 6Ω

Loudspeaker Sensitivity: 86dB

Recommended Amplifier Power: 20-100W RMS

Frequency Response: (-6dB On-Axis): 75Hz-25kHz

Crossover Frequency: 2500K

Operating Temperature: -35° C (-31° F) to 75° C (167°F)

Product Dimensions (HxWxD): 9.84in (249.9mm) x 7.17in (182.1mm) X 6.37in (161.8mm)

Weight: 2.3lbs (5kg)

Wall Mount Extension: 2.8in (71mm)

Vist page 60 for product size diagram

STAGE XD-6

6.5-Inch Indoor/Outdoor
All Weather Loudspeaker

Stage XD Series loudspeakers are designed to work in a wide variety of applications both indoors and outdoors. Their unique combination of features and patented acoustic technology instills them with extreme durability while delivering the highest level of audio.



FEATURES

- / IP67 Waterproof rating provides protection from the harshest of outdoor conditions
- / Aluminum Dome Tweeters with Acoustic Lens for smooth on and off axis frequency response
- / High-Definition Imaging (HDI™) waveguides with optimized geometry for smooth dispersion and low distortion
- / Included wall-mount bracket allows for easy installation and angle adjustment
- / Zero bezel magnetically attached grilles
- / Rotatable logo for horizontal and vertical applications
- / Sustainably designed packaging and product – the first repairable IP67 outdoor loudspeaker

SPEC

Weatherproof Rating: IP67

High Frequency Transducer: 1" (25mm) Aluminum dome with High-Definition Imaging (HDI™) waveguide

Low Frequency Transducer: 6.5" (165mm) Polypropylene Cone Woofer

Impedance: 6Ω

Loudspeaker Sensitivity: 88dB

Recommended Amplifier Power: 20-100W RMS

Frequency Response: (-6dB On-Axis): 55Hz-25kHz

Crossover Frequency: 2500K

Operating Temperature: -35° C (-31° F) to 75° C (167°F)

Product Dimensions (HxWxD): 11.77in (299mm) x 8.73in (221.8mm) X 7.64in (194.1mm)

Weight: 2.9lbs (6.5kg)

Wall Mount Extension: 2.8in (71mm)

Visit page 60 for product size diagram

TECHNICAL SPECIFICATIONS

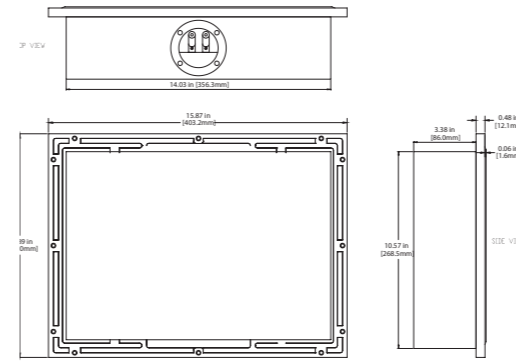
CONCEAL SERIES / TECHNICAL SPECIFICATIONS

C62

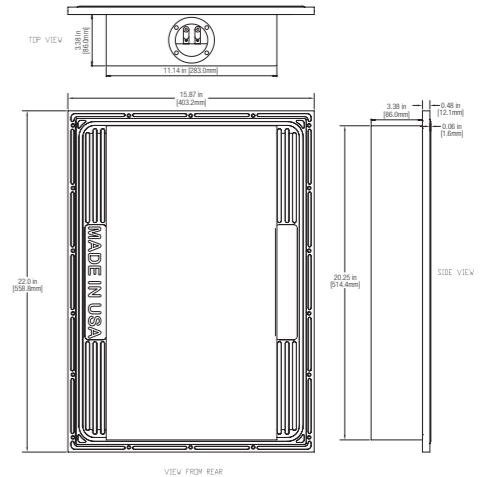
C83

Description:	6.5-inch (165mm) 2-element Invisible Loudspeaker	8-inch (200mm) 3-element Invisible Loudspeaker
Impedance:	4Ω	4Ω
Recommended Amplifier Power:	50 – 100 Watts RMS	50 – 160 Watts RMS
Sensitivity:	83 dB/1W/1m measured in-room	84 dB/1W/1m measured in-room
Frequency Response:	45 Hz – 20 kHz (-6dB) measured in-room	45 Hz – 20 kHz (-6dB) measured in-room
Driver Technology:	Direct-coupled Transducers (HF) and Acoustic Levered Cone Woofer (LF)	Direct-coupled Transducers (HF/MF) and Acoustic Levered Cone Woofer (LF)
Panel Size:	(302mm H x 403mm W x 98mm D)	(559mm H x 403mm W x 98mm D)
Packed and sold in pairs		

C62



C83

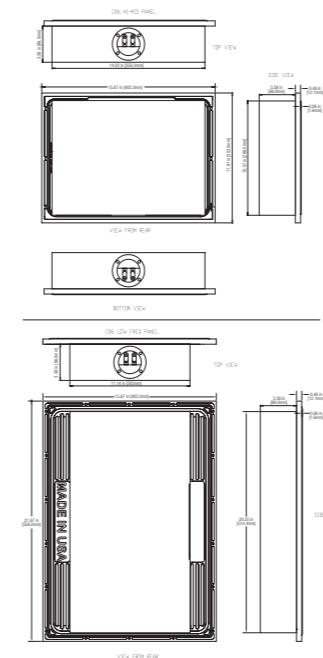


C86

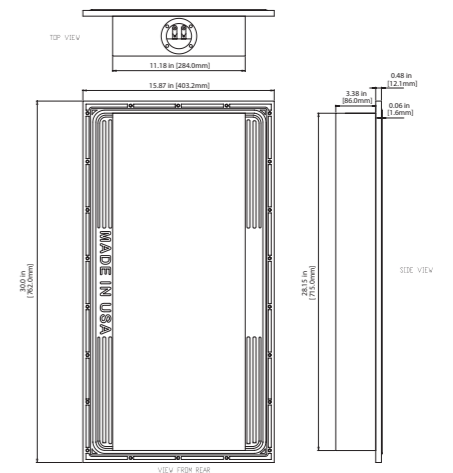
C82W

Description:	2-Panel 6-element 3-way Full Range Invisible Loudspeaker	Dual 8-inch (200mm) Dual Panel Invisible Subwoofer System
Impedance:	4Ω	8Ω (per pair)
Recommended Amplifier Power:	50 – 200 Watts RMS	60 – 100 Watts RMS (per panel)
Sensitivity:	84 dB/1W/1m measured in-room	86 dB/1W/1m measured in-room
Frequency Response:	45 Hz – 20 kHz (-6dB) measured in-room	30 Hz – 300 Hz (-6dB) measured in-room
Driver Technology:	Direct-coupled Transducers (HF/MF) and Acoustic Levered Cone Woofer (LF)	Acoustic Levered Cone Woofers
Panel Size:	MF/HF Panel: (302mm H x 403mm W x 98mm D) LF Panel: (559mm H x 403mm W x 98mm D)	(762mm H x 403mm W x 98mm D)
Packed and sold in pairs		Packed and sold in pairs

C86



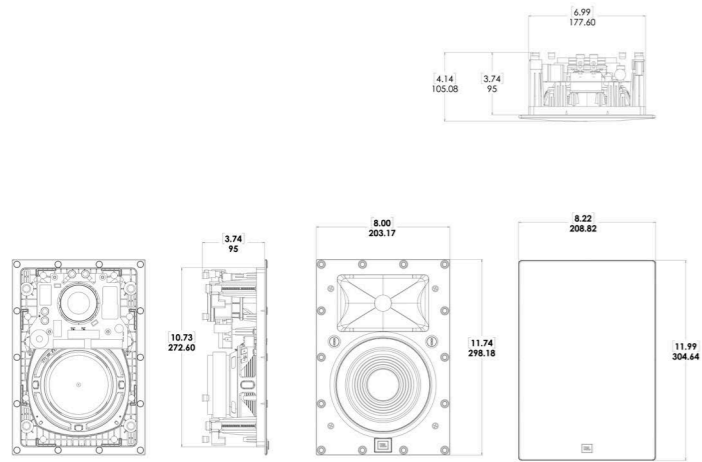
C82W



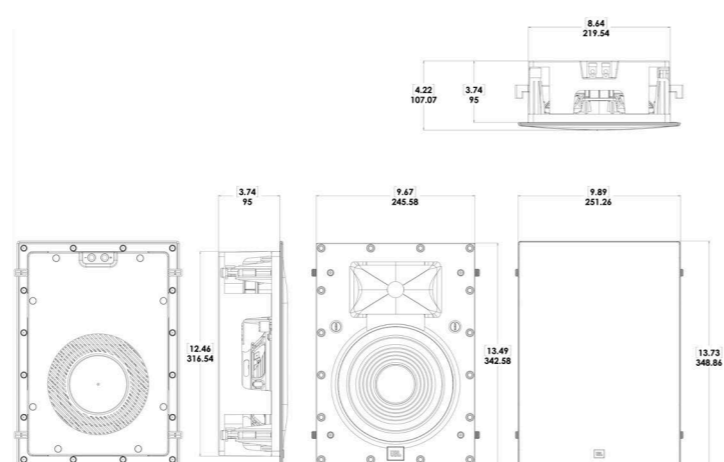
STUDIO 6 / TECHNICAL SPECIFICATIONS

	6IW	8IW	66LCR	88LCR	THEATER
Impedance:	6Ω	6Ω	6Ω	6Ω	6Ω
Recommended Amplifier Power:	25W - 125W	25W - 125W	25W - 150W	50W - 175W	50W - 150W
Frequency Response:	45–20kHz	43–20kHz	45–20kHz	47–20kHz	65–20kHz
Crossover Frequency:	2.5kHz	2.5kHz	2.5kHz	2.5kHz	2.5kHz
Loudspeaker Sensitivity:	91dB	93dB	91dB	96dB	96dB
Woofers:	6.5" (165mm) Polyplas® woofer	8" (203mm) Polyplas® woofer	2 x 6.5" (165mm) Polyplas® woofer	2 x 8" (203mm) Polyplas® woofer	4 x 5.25" (133mm) Polyplas® woofer
Tweeter:	High Definition Imaging (HDI) Waveguide with 1" (25mm) High Frequency Compression Driver	High Definition Imaging (HDI) Waveguide with 1" (25mm) High Frequency Compression Driver	High Definition Imaging (HDI) Waveguide with 1" (25mm) High Frequency Compression Driver	High Definition Imaging (HDI) Waveguide with 1" (25mm) High Frequency Compression Driver	High Definition Imaging (HDI) Waveguide with 1" (25mm) High Frequency Compression Driver
Cutout Dimensions:	7.1" x 10.8" (180mm x 275mm)	8.7" x 12.5" (221mm x 318mm)	7" x 17.4" (180mm x 443mm)	8.7" x 20.4" (221mm x 517mm)	6.2" x 25.3" (157mm x 642mm)
Grille Finished Dimensions:	8.2" x 12" (209mm x 305mm)	9.9" x 13.7" (251mm x 349mm)	8.2" x 18.6" (209mm x 473mm)	9.9" x 21.5" (251mm x 547mm)	7.4" x 26.5" (188mm x 674mm)
Mounting Depth:	3.7" (95mm)	3.7" (95mm)	3.7" (95mm)	3.7" (94.5mm)	3.7" (94.5mm)

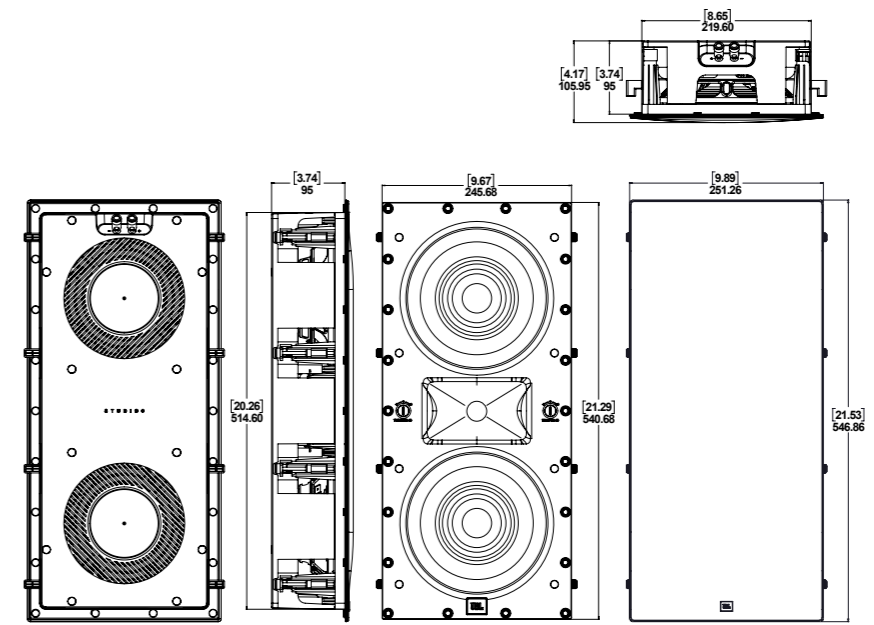
6IW



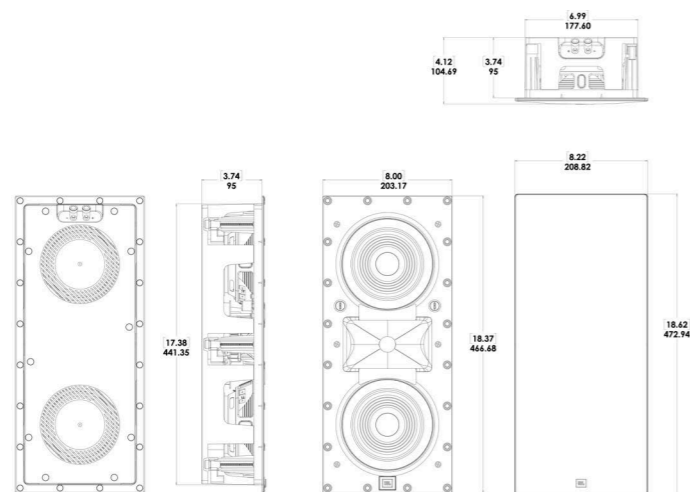
8IW



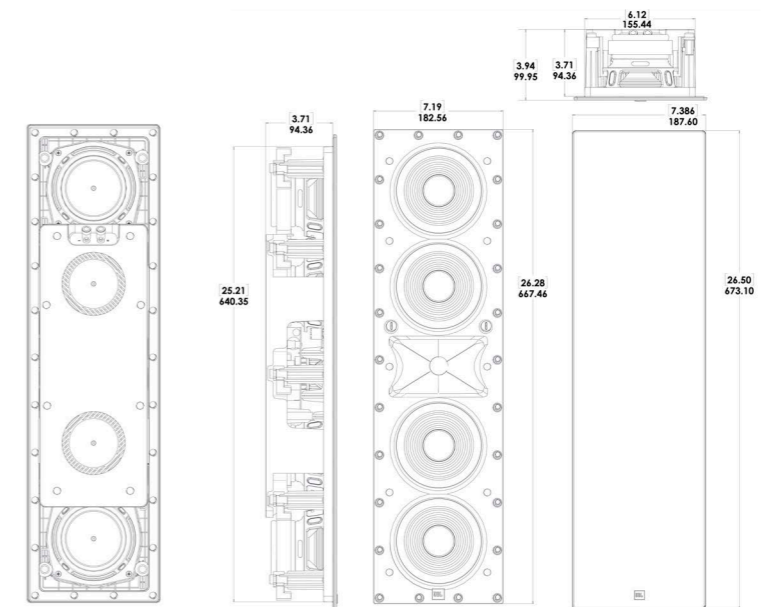
88LCR



66LCR



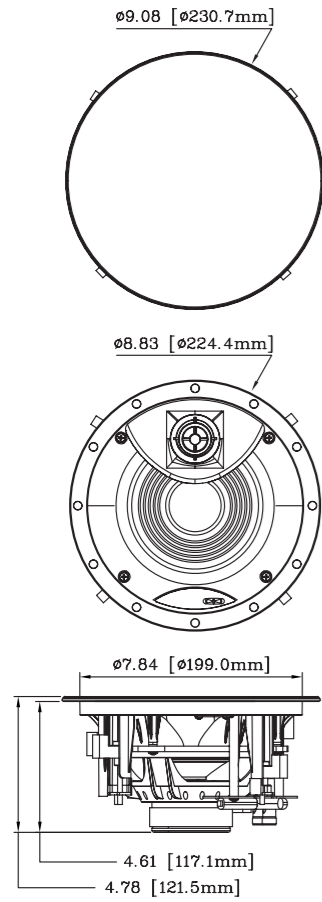
THEATER



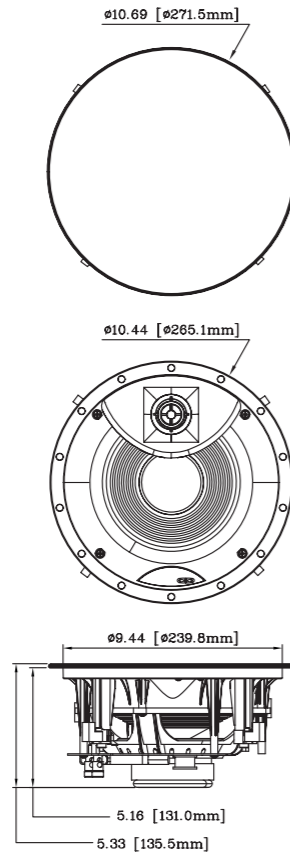
STUDIO 2 / TECHNICAL SPECIFICATIONS

	6IC	8IC	6ICDT	6IW	8IW	55IW	88IW
Impedance:	8Ω	8Ω	8Ω	8Ω	8Ω	8Ω	8Ω
Recommended Amplifier Power:	80W	100W	80W	80W	100W	120W	150W
Frequency Response:	38Hz - 20kHz	30Hz - 20kHz	38Hz - 20kHz	38Hz - 20kHz	30Hz - 20kHz	40Hz - 20kHz	30Hz - 20kHz
Crossover Frequency:	2.5kHz	2.1kHz	3.7kHz	3.0kHz	2.8kHz	2.7kHz	2.8kHz
Loudspeaker Sensitivity:	86dB 2.83V @ 1m	88dB 2.83V @ 1m	86dB 2.83V @ 1m	86dB 2.83V @ 1m	88dB 2.83V @ 1m	88dB 2.83V @ 1m	88dB 2.83V @ 1m
Low Frequency Driver Size and Material:	6-1/2" (165mm) Polyplas® Woofer	8" (203mm) Polyplas® Woofer	6-1/2" (165mm) Polyplas® Woofer	6-1/2" (165mm) Polyplas® Woofer	8" (203mm) Polyplas® Woofer	Dual 5-1/4" (133mm) Polyplas® Woofer	8" (203mm) Polyplas® Woofer
High Frequency Driver Size and Material:	1" (25mm) Pivoting CMMD® Lite Tweeter	1" (25mm) Pivoting CMMD® Lite Tweeter	2x3/4" (19mm) Pivoting CMMD® Lite Tweeter	1" (25mm) Pivoting CMMD® Lite Tweeter	1" (25mm) Pivoting CMMD® Lite Tweeter	1" (25mm) Pivoting CMMD® Lite Tweeter	1" (25mm) Pivoting CMMD® Lite Tweeter
High Frequency Control:	+/- 3dB	+/- 3dB	+/- 3dB	+/- 3dB	+/- 3dB	+/- 3dB	+/- 3dB
Cutout Dimensions:	(D) 8" (203mm)	(D) 9-5/8" (244mm)	(D) 8" (203mm)	(H x W) 9-13/16" x 7-9/32" (249mm x 185mm)	(H x W) 11-15/16" x 8-15/16" (303mm x 227mm)	(H x W) 14-1/8" x 6-13/32" (359mm x 163mm)	(H x W) 20-1/16" x 9" (510mm x 227mm)
Grille Finished Dimensions:	(D) 9-3/32" (231mm)	(D) 10-11/16" (272mm)	(D) 9-3/32" (231mm)	(H x W) 10-7/8" x 8-11/32" (276mm x 212mm)	(H x W) 13" x 10" (330mm x 254mm)	(H x W) 15-1/8" x 7-13/32" (384mm x 188mm)	(H x W) 21-3/16" x 10" (538mm x 254mm)
Mounting Depth:	4-11/16" (119mm)	5-13/64" (132mm)	4-11/16" (119mm)	3-19/32" (91mm)	3-13/16" (97mm)	3.0" (76mm)	3-13/16" (96mm)
Compatible Wall Material Thickness:	0.5" – 2.0" (12mm – 51mm)	0.5" – 2.0" (12mm – 51mm)	0.5" – 2.0" (12mm – 51mm)	0.5" – 2.0" (12mm – 51mm)	0.5" – 2.0" (12mm – 51mm)	0.5" – 2.0" (12mm – 51mm)	0.5" – 2.0" (12mm – 51mm)
Shipping Units of Measure:	Each	Each	Each	Each	Each	Each	Each
Warranty:	5 Years	5 Years	5 Years	5 Years	5 Years	5 Years	5 Years
Pre-Construction Bracket Part number:	PCK6C	PCK8C	PCK6C	PCK6	PCK8	PCK55	-
Back Box Part Number:	FBB6C	FBB8C	FBB6C	FBB6	FBB8	FBB55	-

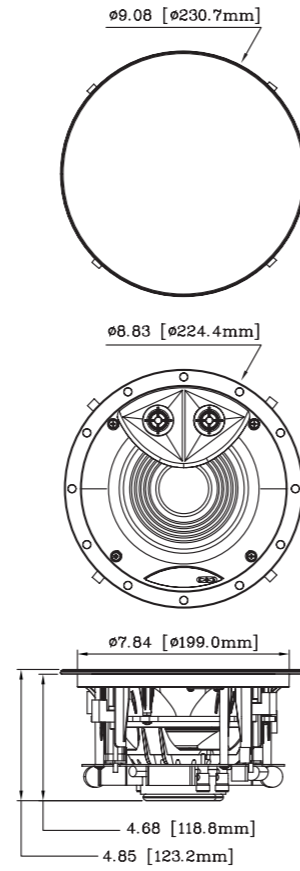
6IC



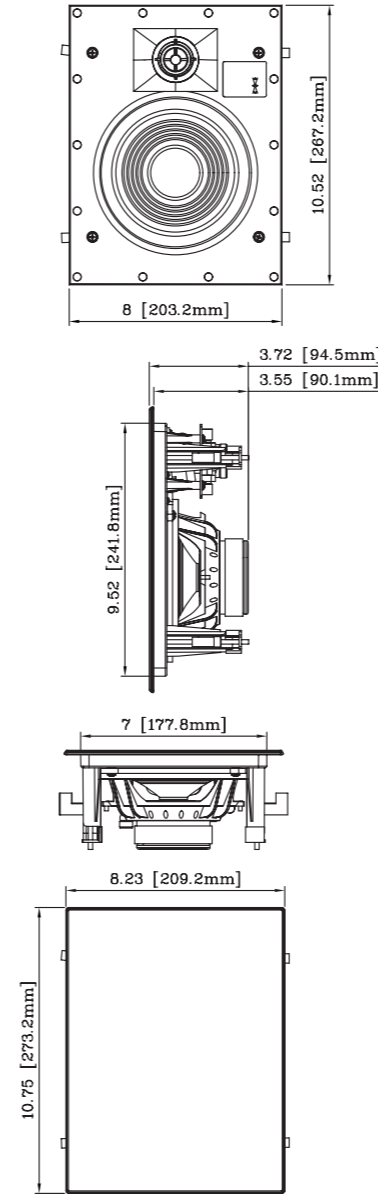
8IC



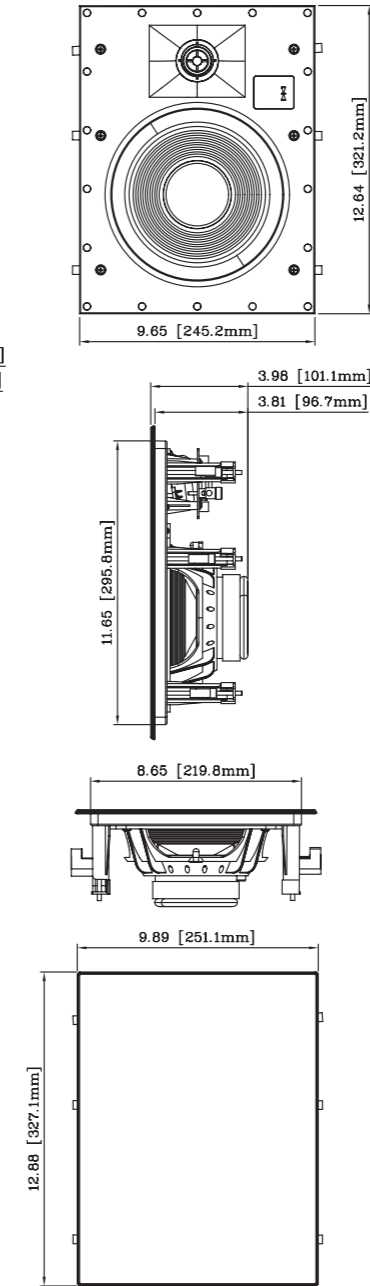
6ICDT



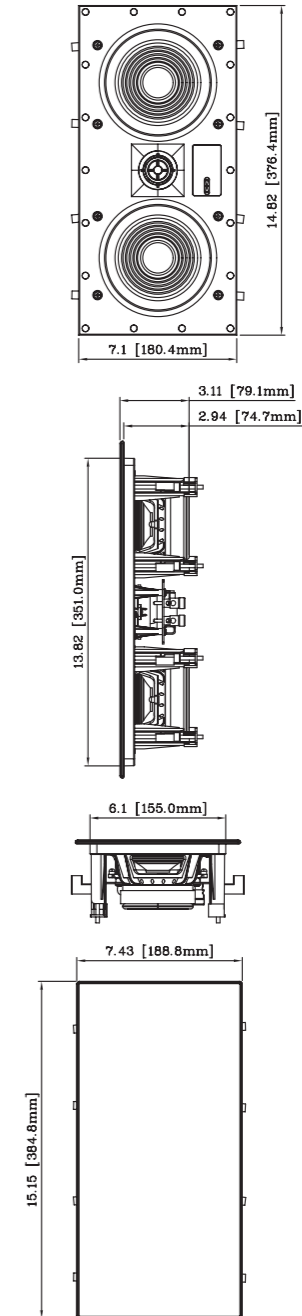
6IW



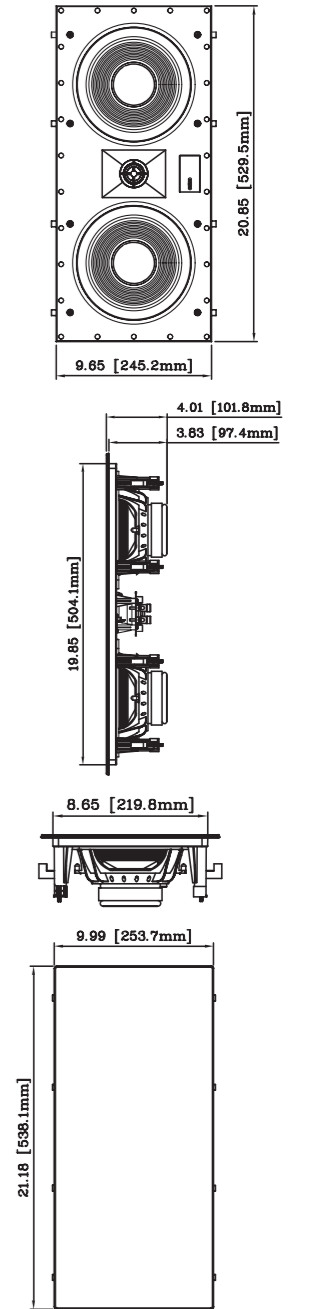
8IW



55IW



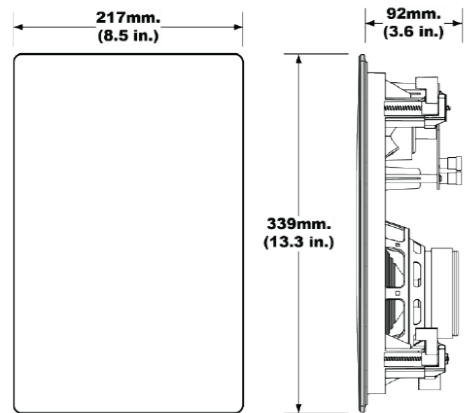
88IW



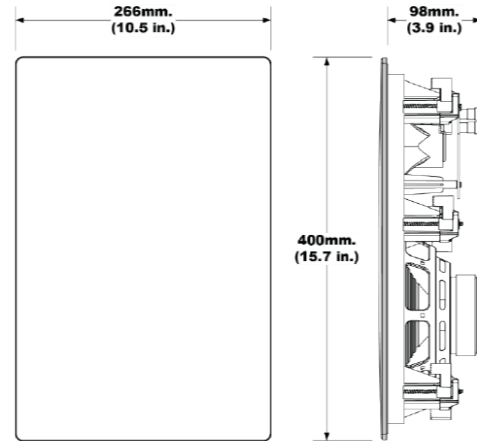
STAGE 2 / TECHNICAL SPECIFICATIONS

	260W	280W	250WL	260C		280C	260CDT	260CSA	280CSA
High Frequency Transducer:	1" (25mm) Aluminum dome with High-Definition Imaging (HDI™) horn	1" (25mm) Aluminum dome with High-Definition Imaging (HDI™) horn	1" (25mm) Aluminum dome with High-Definition Imaging (HDI™) horn	1" (25mm) Aluminum dome with Acoustic Lens		1" (25mm) Aluminum dome with Acoustic Lens	Dual 3/4" (20mm) Aluminum dome with Acoustic Lens	1" (25mm) Aluminum dome with Acoustic Lens	1" (25mm) Aluminum dome with Acoustic Lens
Low Frequency Transducer:	6.5" (165mm) Polycellulose cone woofer	8" (200mm) Polycellulose cone woofer	Dual 5.25" (130mm) Polycellulose cone woofer	6.5" (165mm) Polycellulose cone woofer		8" (200mm) Polycellulose cone woofer	Dual VC 6.5" (165mm) Polycellulose cone woofer	6.5" (165mm) Polycellulose cone woofer	8" (200mm) Polycellulose cone woofer
Recommended Power:	20-100W RMS	20-120W RMS	20-120W RMS	20-100W RMS		20-120W RMS	20-75W RMS	20-100W RMS	20-120W RMS
Frequency Response:	50Hz-25kHz (-6dB on-axis)	42Hz-25kHz (-6dB on-axis)	52Hz-25kHz (-6dB on-axis)	50Hz-25kHz (-6dB on-axis)		42Hz-25kHz (-6dB on-axis)	50Hz-25kHz (-6dB on-axis)	50Hz-25kHz (-6dB on-axis)	42Hz-25kHz (-6dB on-axis)
Sensitivity (2.83V@1m):	87dB	90dB	90dB	87dB		90dB	90dB	87dB	90dB
Impedance:	8Ω	8Ω	8Ω	8Ω		8Ω	8Ω	8Ω	8Ω
Crossover Frequency:	1900Hz	1700Hz	2100Hz	3000Hz		3400Hz	2900Hz	2800Hz	2900Hz
Inputs:	Nickel-plated spring-loaded connectors	Nickel-plated spring-loaded connectors	Nickel-plated spring-loaded connectors	Nickel-plated spring-loaded connectors		Nickel-plated spring-loaded connectors	Nickel-plated spring-loaded connectors	Nickel-plated spring-loaded connectors	Nickel-plated spring-loaded connectors
Grille Dimensions:	H 19.5in (496mm) x W 7.6in (194mm)	H: 13.3in (339mm) x W 8.5in (217mm)	H: 15.7in (400mm) x W 10.5in (266mm)	Dia: 9.2in (233mm)		Dia: 10.8in (275mm)	Dia: 9.2in (233mm)	H: 9.8in (248mm) x W 9.8in (248mm)	H 11.4in (289mm) x W 11.4in (289mm)
Cutout Dimensions:	H: 12.2in (311mm) x W: 7.2in (184mm)	H: 14.6in (372mm) x W: 9.4in (238mm)	H: 18.1in (460mm) x W: 6.4in (162mm)	Dia: 8in (203mm)		Dia: 9.6in (244mm)	Dia: 8in (203mm)	H: 8.6in (219mm) x W: 8.6in (219mm)	H: 10.2in (260mm) x W: 10.2in (260mm)
Mounting Depth:	3.8in (96mm)	3.6in (92mm)	3.9in (98mm)	3.9in (100mm)		4.3in (108mm)	4.2in (106mm)	5in (127mm)	5.4in (138mm)

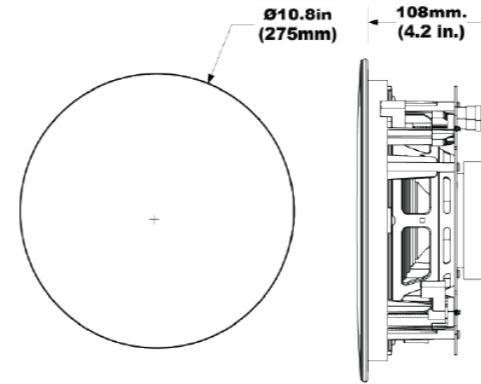
260W



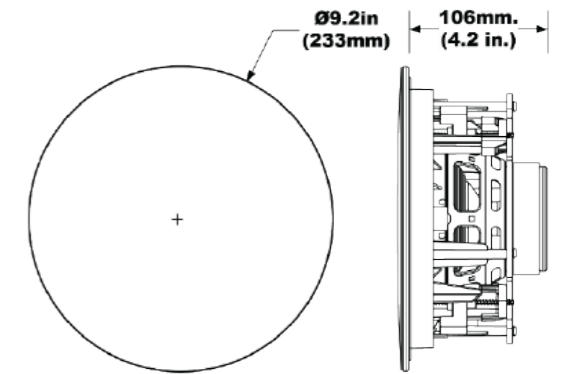
280W



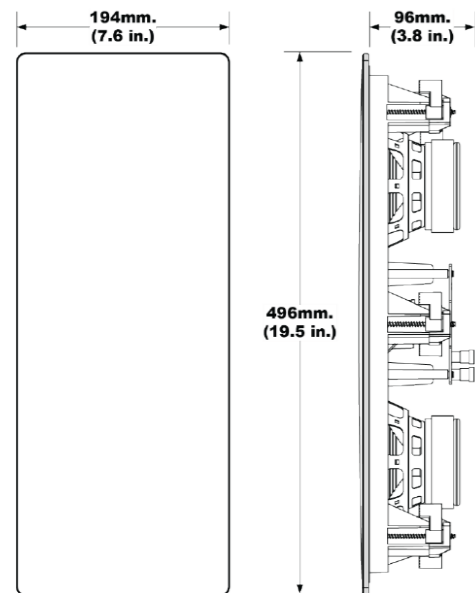
280C



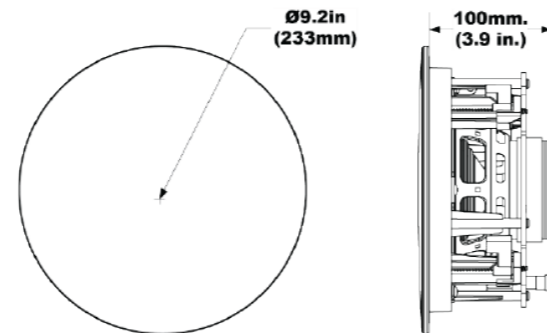
260CDT



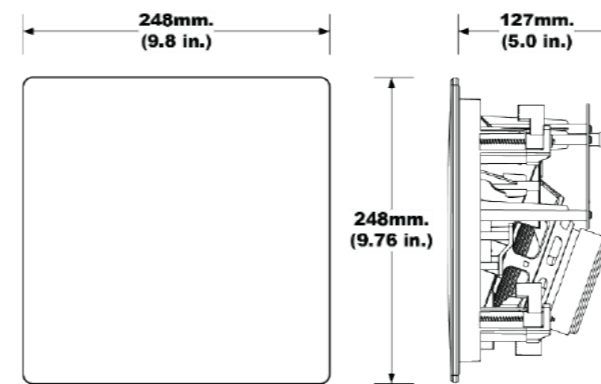
250WL



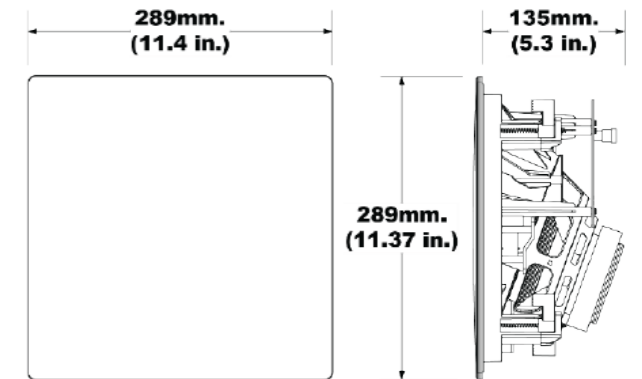
260C



260CSA



280CSA



B SERIES / TECHNICAL SPECIFICATIONS

	61C	81C	61CDT	61W	81W
Nominal Impedance:	4Ω	4Ω	4Ω	4Ω	4Ω
Power (RMS/Peak):	35/140W	40/160W	35/140W	35/150W	45/160W
Frequency Response:	50Hz – 20kHz	45Hz – 20kHz	50–20kHz	50Hz – 20kHz	45Hz – 20kHz
Loudspeaker Sensitivity:	90dB	92dB	90dB	91dB	91dB
Woofers:	6.5" (165mm) Poly woofer	8" (203mm) Poly woofer	6.5" (165mm) Poly woofer	6.5" (165mm) Poly woofer	8" (203mm) Poly woofer
Tweeters:	0.5" (13mm) Polymer Tweeter	0.5" (13mm) Polymer Tweeter	0.5" (13mm) Polymer Tweeter	0.5" (13mm) Polymer Tweeter	0.5" (13mm) Polymer Tweeter
Cutout Dimensions:	7.9" (202mm)	9.6" (243mm)	7.9" (202mm)	9.7" x 7.2" (246mm x 182mm)	11.7" x 8.8" (299mm x 223mm)
Grille Finished Dimensions:	9.1" (232mm)	10.7" (272mm)	9.1" (232mm)	8.4" x 10.9" (213mm x 277mm)	10" x 12.9" (255mm x 329mm)
Mounting Depth:	3.6" (92mm)	3.9" (100mm)	3.6" (92mm)	3.3" (84mm)	3.7" (96mm)

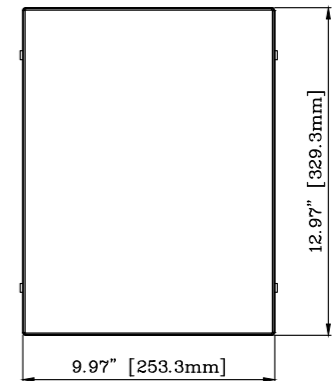
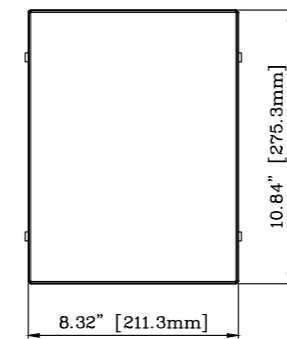
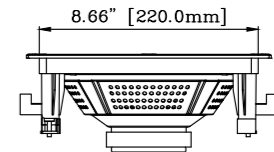
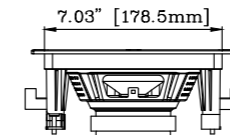
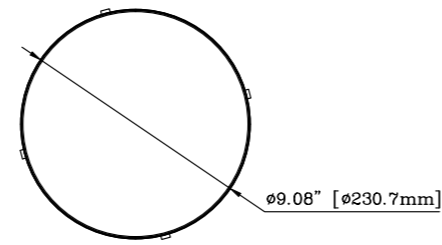
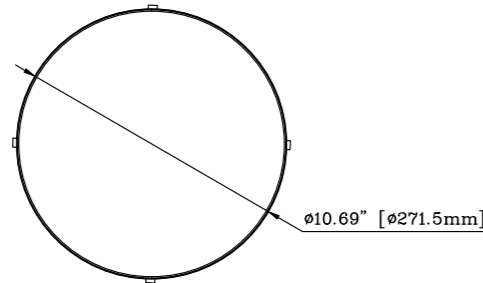
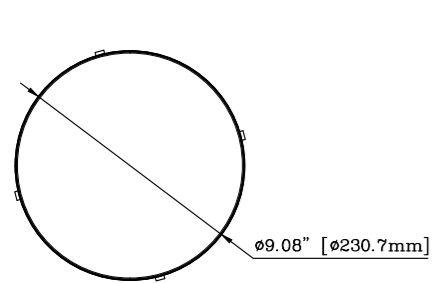
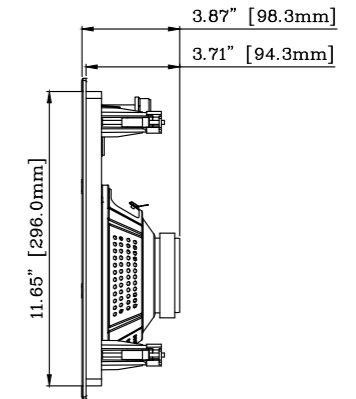
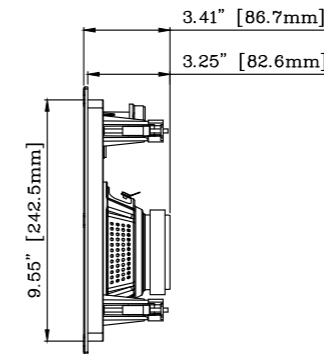
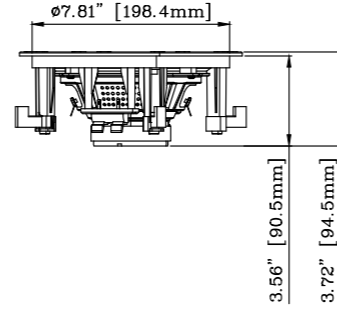
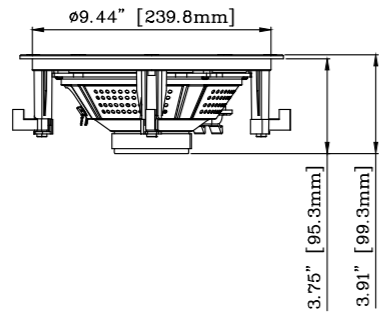
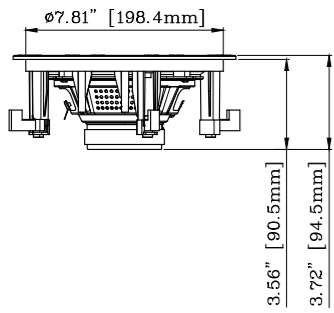
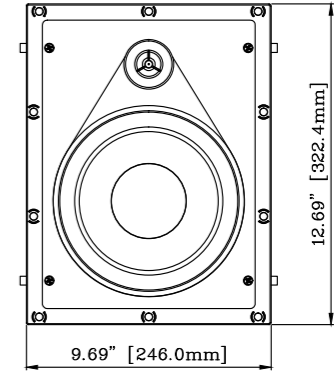
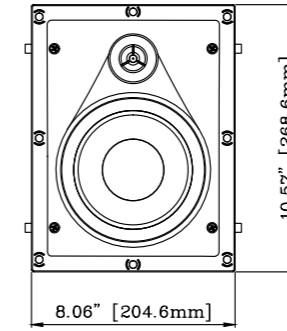
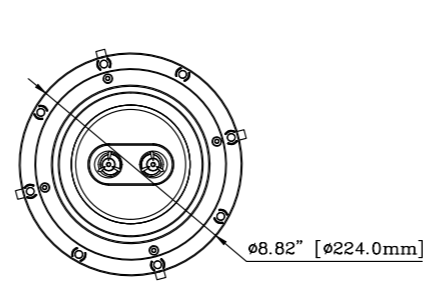
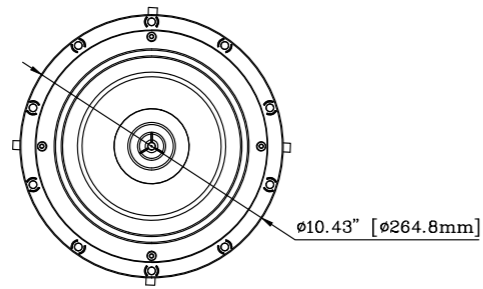
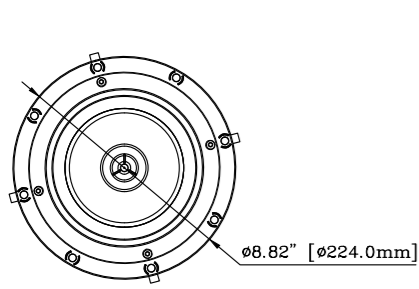
61C

81C

61CDT

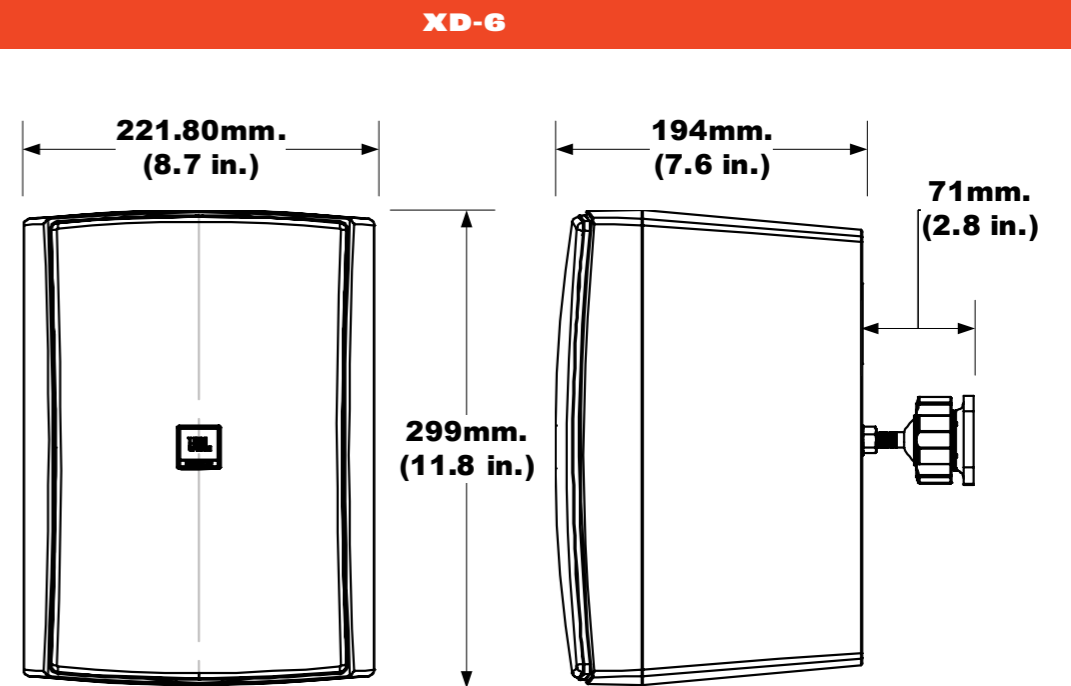
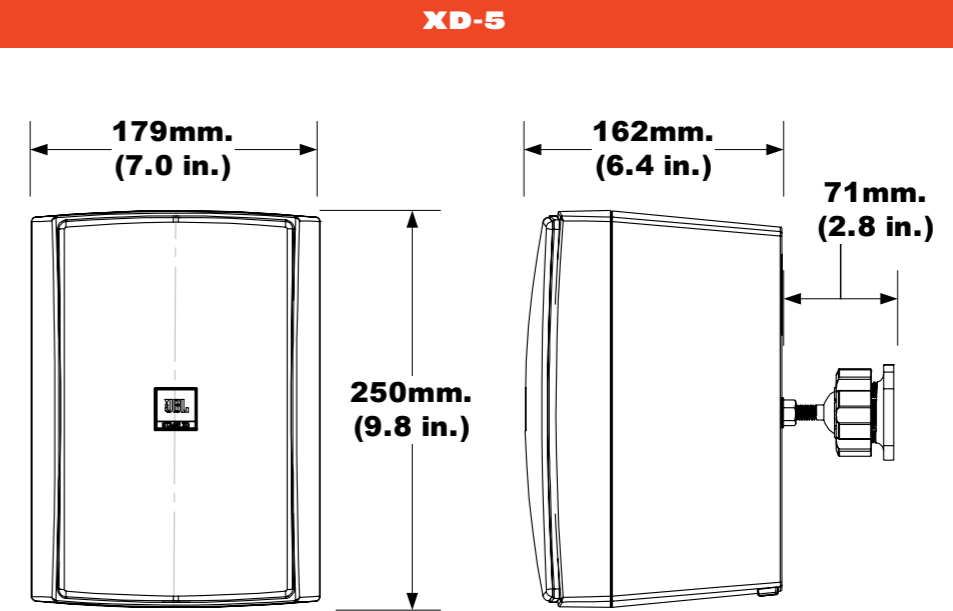
61W

81W



STAGE XD / TECHNICAL SPECIFICATIONS

	XD-5	XD-6
Weatherproof Rating:	IP67	IP67
High Frequency Transducer:	1" (25mm) Aluminum dome with High-Definition Imaging (HDI™) waveguide	1" (25mm) Aluminum dome with High-Definition Imaging (HDI™) waveguide
Low Frequency Transducer:	5.25" (130mm) Polypropylene Cone Woofer	6.5" (165mm) Polypropylene Cone Woofer
Impedance:	6Ω	6Ω
Loudspeaker Sensitivity:	86dB	88dB
Recommended Amplifier Power:	20-100W RMS	20-100W RMS
Frequency Response:	(-6dB On-Axis): 75Hz-25kHz	(-6dB On-Axis): 55Hz-25kHz
Crossover Frequency:	2500K	2500K
Operating Temperature:	-35° C (-31° F) to 75° C (167°F)	-35° C (-31° F) to 75° C (167°F)
Product Dimensions (HxWxD):	9.84in (249.9mm) x 7.17in (182.1mm) X 6.37in (161.8mm)	11.77in (299mm) x 8.73in (221.8mm) X 7.64in (194.1mm)
Weight:	2.3lbs (5kg)	2.9lbs (6.5kg)
Wall Mount Extension:	2.8in (71mm)	2.8in (71mm)



Contact

JBL Premium Audio
The West Wing, Stirling House,
Waterbeach
Cambridge
CB25 9PB
jbl.com/premium-audio/

