

| PRODUCT No. | DESCRIPTION | WEIGHT g | WEIGHT oz |
|-------------|-------------|----------|-----------|
|-------------|-------------|----------|-----------|

Mast Tangs & Hounds

| | | | |
|--------|---|-----|-----|
| RF43A | Tang. 5mm (3/16") diameter clevis pin. 76mm (3") long. 2 x 5mm (3/16") diameter fixing holes | 15 | 0.5 |
| RF146 | Mast hound to suit mast diameters between 76mm-115mm (3"-4 1/2"). 10 x 4.2mm (5/32") fixing holes | 110 | 3.9 |
| RF347 | Tang. 6.4mm (1/4") diameter clevis pin. 51mm (2") long. 1 x 6.4mm (1/4") diameter fixing hole | 20 | 0.7 |
| RF348 | Tang. 8mm (5/16") diameter clevis pin. 64mm (2 1/2") long. 1 x 9.5mm (3/8") diameter fixing hole | 40 | 1.4 |
| RF604 | Mast hound to suit mast diameters 51mm-64mm (2"-2 1/2"). 2 x 6.8mm (9/32") & 2 x 5.0mm (3/16") fixing holes | 30 | 1.1 |
| RF1189 | Tang. 6.4mm (1/4") ferrule eye. 38mm (1 1/2") long. 1 x 5mm (3/16") diameter fixing hole | 10 | 0.4 |

Boom Hangers

| | | | |
|--------|--|-----|-----|
| RF87 | Boom hanger. 10mm (3/8") internal clearance. 5mm (3/16") diameter loop. 2 x 5mm (3/16") diameter fixing holes | 15 | 0.5 |
| RF135 | Four point hanger. Slotted attachment hole allows shackle body to be passed through. 8 x 5mm (3/16") diameter fixing holes | 35 | 1.2 |
| RF180 | Strip hanger. 64mm (2 1/2") long. 4 x 5mm (3/16") diameter fixing holes | 20 | 0.7 |
| RF181 | Strip hanger. 55mm (2 1/4") long. 4 x 5mm (3/16") diameter fixing holes | 20 | 0.7 |
| RF1045 | Boom hanger. 80mm (3 1/8") long. 65mm (2 1/2") wide. Bar diameter 6.4mm (1/4"). 2 x 6.6mm (1/4") diameter fixing holes | 45 | 1.6 |
| RF1046 | Boom hanger. 100mm (4") long. 80mm (3 1/8") wide. Bar diameter 6.4mm (1/4"). 2 x 6.6mm (1/4") diameter fixing holes | 54 | 1.9 |
| RF1047 | Boom hanger. 125mm (5") long. 80mm (3 1/8") wide. Bar diameter 7.9mm (5/16"). 2 x 8.1mm (5/16") diameter fixing holes | 107 | 3.8 |
| RF1048 | Boom hanger. 150mm (6") long. 115mm (4 1/2") wide. Bar diameter 9.5mm (3/8"). 2 x 10mm (3/8") diameter fixing holes | 190 | 6.7 |

Exit Plates & Halyard Lock

| | | | |
|--------|---|----|-----|
| RF191 | Halyard lock for locking halyards off on a copper ferrule | 5 | 0.2 |
| RF6031 | Exit plate, stainless steel, slot width 10mm (3/8"), 159 x 21mm (6 1/4" x 13/16") overall | 45 | 1.6 |
| RF6032 | Exit plate, stainless steel, slot width 12mm (1/2"), 203 x 26mm (8" x 1") overall | 70 | 2.5 |
| RF6033 | Exit plate, stainless steel, slot width 17mm (11/16"), 210 x 28mm (8 1/4" x 1 1/8") overall | 73 | 2.5 |

Sail Feeder

| | | | |
|-------|---|----|-----|
| RF307 | Headsail Pre-Feeder, suits up to 7mm luff tapes | 67 | 2.4 |
|-------|---|----|-----|

| PRODUCT No. | LENGTH OVERALL mm | RANGE OF ADJUSTMENT mm | PIN DIAM. mm | INCREMENTS mm | WEIGHT g | LENGTH OVERALL in | RANGE OF ADJUSTMENT in | PIN DIAM. in | INCREMENTS in | WEIGHT oz | NO. OF ADJUSTMENT SETTINGS |
|-------------|-------------------|------------------------|--------------|---------------|----------|-------------------|------------------------|--------------|---------------|-----------|----------------------------|
|-------------|-------------------|------------------------|--------------|---------------|----------|-------------------|------------------------|--------------|---------------|-----------|----------------------------|

Stay Adjusters

| | | | | | | | | | | | |
|--------|-----|-----|-----|------|----|-------|--------|------|------|-----|----|
| RF45 | 108 | 75 | 6.4 | 12.5 | 60 | 4 1/4 | 3 | 1/4 | 1/2 | 2.1 | 7 |
| RF444 | 174 | 115 | 6.4 | 12.5 | 90 | 6 7/8 | 4 1/2 | 1/4 | 1/2 | 3.2 | 10 |
| RF2330 | 117 | 87 | 4.8 | 8.0 | 40 | 4 5/8 | 3 7/16 | 3/16 | 5/16 | 1.4 | 12 |
| RF2331 | 115 | 64 | 4.8 | 4.0 | 65 | 4 1/2 | 2 1/2 | 3/16 | 5/32 | 2.3 | 17 |

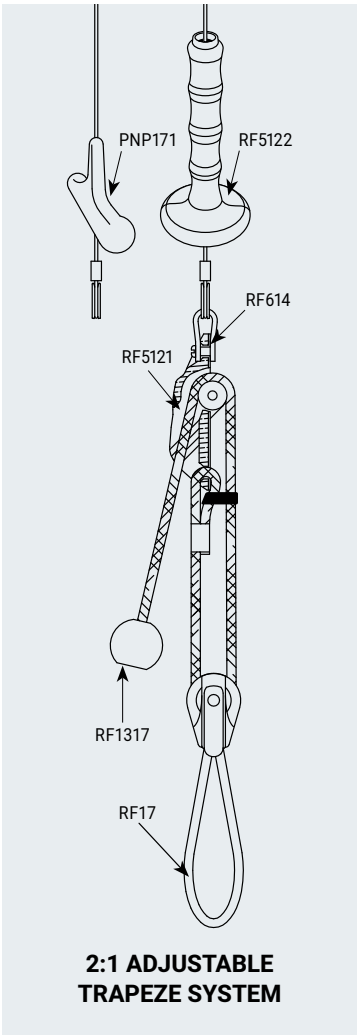
| PRODUCT No. | DESCRIPTION | HOLE SPACING mm | LENGTH OVERALL mm | WIDTH x THICKNESS mm | HOLE DIAMS. mm | WEIGHT g | HOLE SPACING in | LENGTH OVERALL in | WIDTH x THICKNESS in | HOLE DIAMS. in | WEIGHT oz |
|-------------|-------------|-----------------|-------------------|----------------------|----------------|----------|-----------------|-------------------|----------------------|----------------|-----------|
|-------------|-------------|-----------------|-------------------|----------------------|----------------|----------|-----------------|-------------------|----------------------|----------------|-----------|

Chain Plates & Perforated Strip

| | | | | | | | | | | | |
|-------|------------------|------|------|------------|-------------------|-----|-----|----------|------------|--------------------|-----|
| RF27 | Chain plate | - | 48.6 | 16.0 x 1.5 | 5.0 | 5 | - | 2 | 5/8 x 1/16 | 3/16 | 0.2 |
| RF39 | Perforated strip | 15.9 | 925 | 15.9 x 1.5 | 6.6 | 144 | 5/8 | 36 13/32 | 5/8 x 1/16 | 1/4 | 5.1 |
| RF39A | Perforated strip | 12.7 | 915 | 12.7 x 1.5 | 5.0 | 127 | 1/2 | 36 1/16 | 1/2 x 1/16 | 3/16 | 4.5 |
| RF47 | Chain plate | - | 203 | 25.0 x 1.5 | 1 x 9.5 + 3 x 6.4 | 60 | - | 8 | 1 x 1/16 | 1 x 3/8 + 3 x 1/4 | 2.1 |
| RF112 | Perforated strip | 15.9 | 896 | 19.0 x 2.0 | 8.1 | 222 | 5/8 | 35 1/4 | 3/4 x 5/64 | 5/16 | 7.8 |
| RF192 | Chain plate | - | 76 | 16.0 x 1.5 | 1 x 6.4 + 2 x 5.0 | 10 | - | 3 | 5/8 x 1/16 | 1 x 1/4 + 3 x 3/16 | 0.4 |
| RF488 | Chain plate | - | 127 | 19.0 x 3.0 | 1 x 6.4 + 2 x 5.0 | 53 | - | 5 | 3/4 x 1/8 | 1 x 1/4 + 3 x 3/16 | 1.9 |



© Darren Bundock



| PRODUCT No. | DESCRIPTION | WEIGHT g | WEIGHT oz |
|-------------------------|---|----------|-----------|
| Trapeze Hardware | | | |
| PNP171BLU | Trapeze handle, 120mm (4 3/4") long, nylon, blue | 25 | 0.9 |
| PNP171R | Trapeze handle, 120mm (4 3/4") long, nylon, red | 25 | 0.9 |
| RF9 | Fairlead, nylon, ID 7mm (1/4") | 5 | 0.2 |
| RF17 | Trapeze ring, oversize 6mm (7/32") diameter loop, incorporating Series 20 ball bearing sheave | 84 | 3.0 |
| RF27 | Toe strap plate, stainless steel, 50mm x 16mm (2" x 5/8"), 5mm (3/16") diameter holes | 5 | 0.2 |
| RF48B | Trapeze ring, twin loop, stainless steel, 166mm (6 1/2") long | 48 | 1.7 |
| RF341 | Single V-jam block, becket, removable clevis pin top | 30 | 1.1 |
| RF5121 | Trapeze cleat, aluminium, suits 4-8mm (5/32"-5/16") diameter rope | 46 | 1.6 |
| RF5122R-2 | Trapeze handles, vertical grip, red, hole diameter 7mm (9/32") (pair) | 85 | 3.0 |

| PRODUCT No. | PRODUCT No. | PRODUCT No. | PRODUCT No. | MAX. ROPE mm | OUTSIDE DIAM. mm | WEIGHT g | MAX. ROPE in | OUTSIDE DIAM. in | WEIGHT oz |
|---------------------|----------------------|-----------------------|-----------------------|--------------|------------------|----------|--------------|------------------|-----------|
| Red Tie Ball | Blue Tie Ball | Black Tie Ball | Green Tie Ball | | | | | | |
| RF1317R | RF1317BLU | RF1317BLK | RF1317GRN | 5 | 20 | 3 | 3/16 | 3/4 | 0.1 |



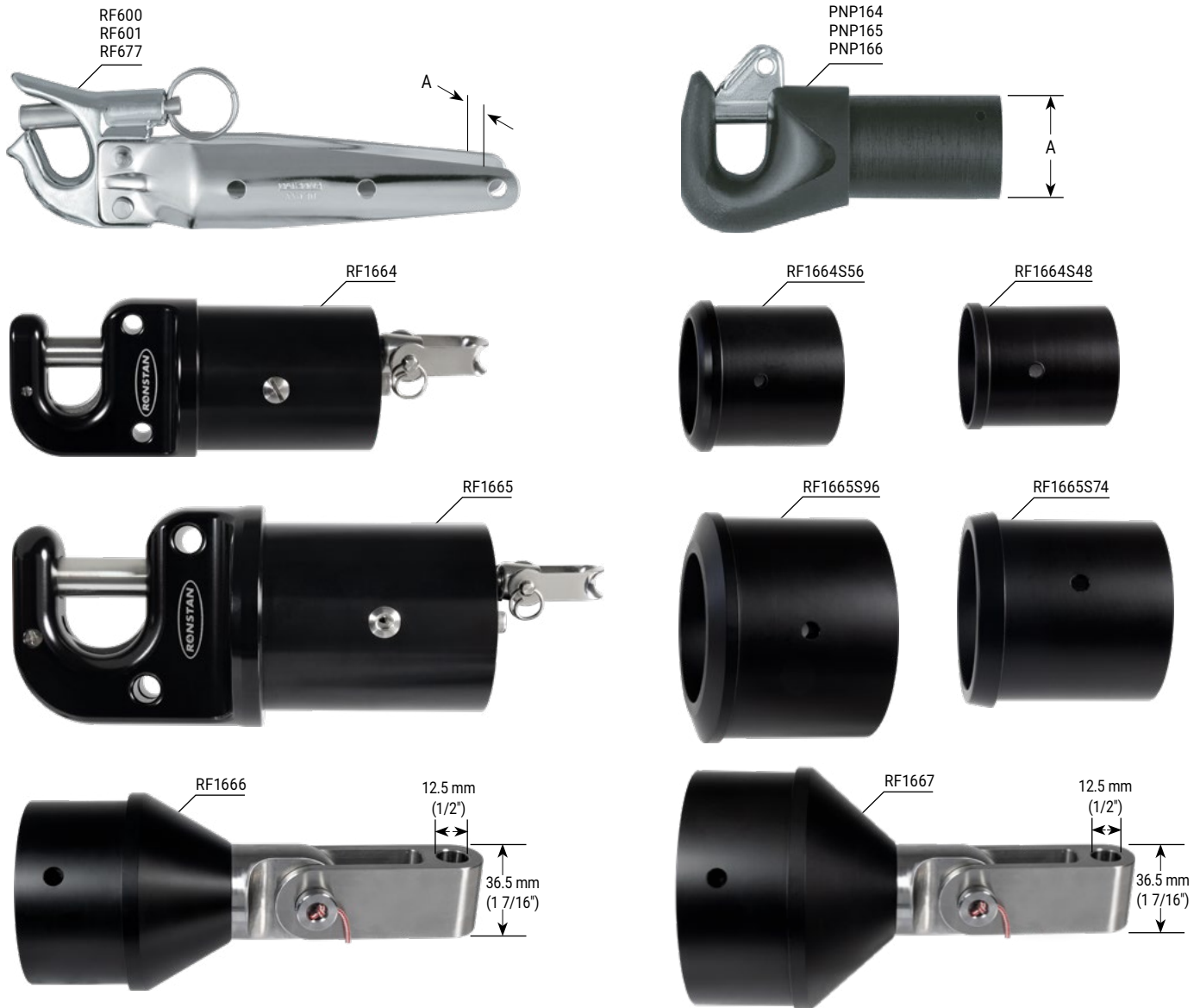
© Michael Chittenden



| PRODUCT No. | DESCRIPTION | DOUGHNUT DIAM. mm | ROPE DIAM. mm | WEIGHT g | DOUGHNUT DIAM. in | ROPE DIAM. in | WEIGHT oz |
|-----------------------------------|-------------|-------------------|---------------|----------|-------------------|---------------|-----------|
| Spinnaker Brace 'Doughnut' | | | | | | | |
| PNP197R | Red | 40 | 10 | 7 | 1 9/16 | 3/8 | 0.2 |
| PNP197GRN | Green | 40 | 10 | 7 | 1 9/16 | 3/8 | 0.2 |
| PNP198R | Red | 60 | 12 | 22 | 2 3/8 | 7/16 | 0.8 |
| PNP198GRN | Green | 60 | 12 | 22 | 2 3/8 | 7/16 | 0.8 |
| PNP199R | Red | 70 | 18 | 34 | 2 3/4 | 5/8 | 1.2 |

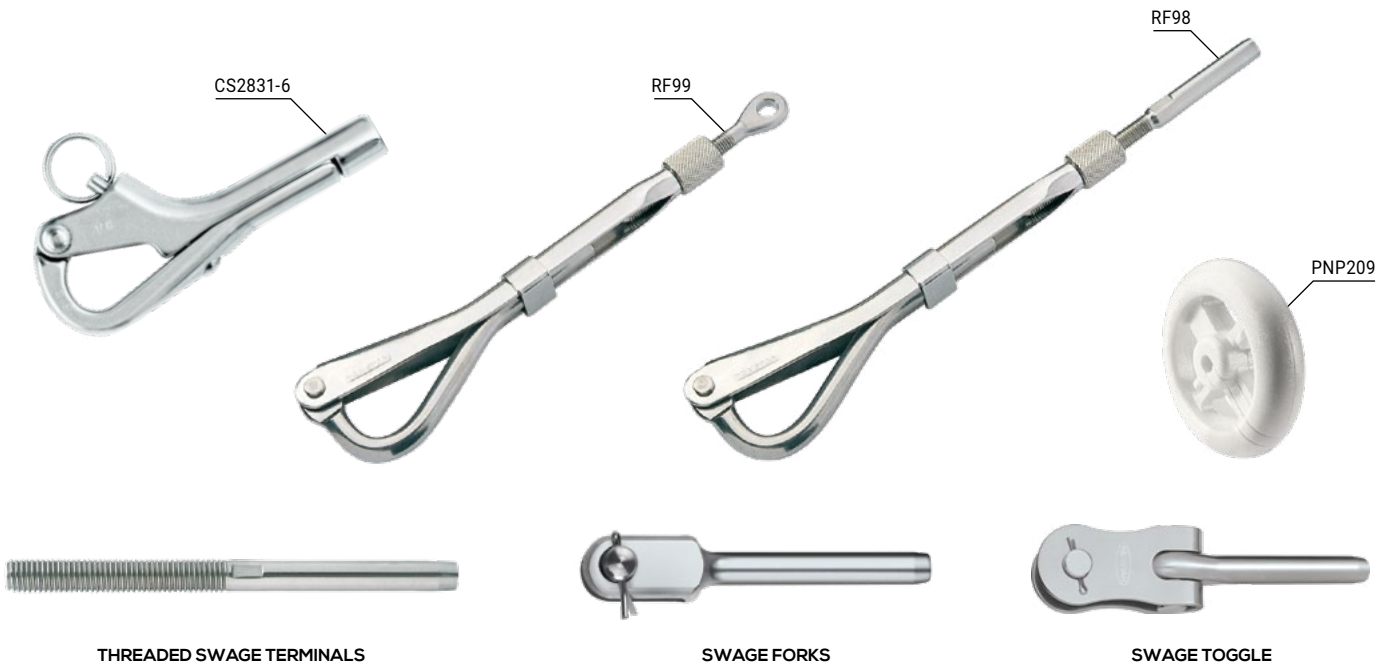
| PRODUCT No. | DESCRIPTION | RING I.D. mm | MATERIAL DIAM. mm | MAST DIAM. mm | WEIGHT g | RING I.D. in | MATERIAL DIAM. in | MAST DIAM. in | WEIGHT oz |
|-----------------------------|-------------|--------------|-------------------|---------------|----------|--------------|-------------------|---------------|-----------|
| Spinnaker Pole Rings | | | | | | | | | |
| RF30 | Curved base | 30 | 6.4 | 60 | 45 | 1 3/16 | 1/4 | 2 3/8 | 1.6 |
| RF41 | Curved base | 44 | 11.0 | 80 | 260 | 1 3/4 | 7/16 | 3 1/8 | 9.2 |
| RF602 | Curved base | 35 | 8.0 | 60 | 80 | 1 3/8 | 5/16 | 2 3/8 | 2.8 |

| PRODUCT No. | DESCRIPTION | WEIGHT g | WEIGHT oz |
|---------------------------|--|----------|-----------|
| Spinnaker Hardware | | | |
| RF91 | Spinnaker brace hook, accepts up to 6mm (1/4") diameter line, 1/4" diameter bolt-through attachment (includes 2 x self-tapping screws), neoprene pad and line retainer | 40 | 1.4 |
| RF92 | Spinnaker brace hook, screw-on attachment, (includes two 8g self-tapping screws), neoprene pad and line retainer | 20 | 0.7 |
| PNP94 | Spinnaker pole deck bracket, suits poles to 70mm (2 3/4") diameter | 75 | 2.7 |
| Mast Chock | | | |
| PNP200 | Mast chock set, 8 pieces; with total thickness 70mm (2 3/4"); 1 x 20mm (25/32") piece, 5 x 10mm (13/32") pieces, suits mast with 50-60mm (2" - 2 3/8") diameter | 134 | 4.7 |



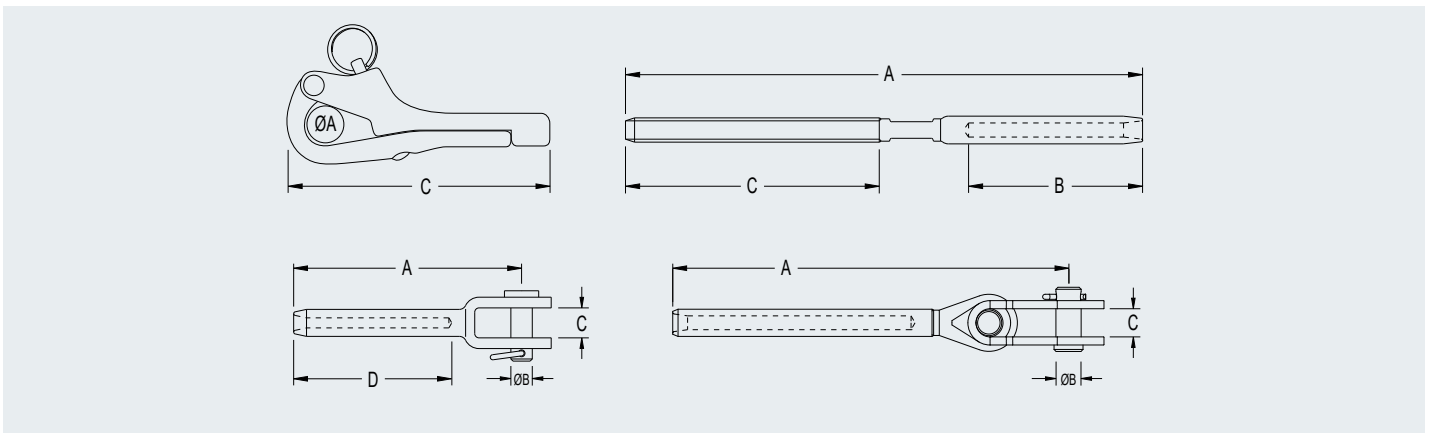
- ✔ PNP164, PNP165 and PNP166 small boat pole ends are manufactured from tough, abrasion resistant nylon for minimum weight and corrosion resistance.
- ✔ RF600, RF601 and RF677 grade 316 stainless steel small boat pole ends suit external fitting on solid or tubular sections.
- ✔ Acetal sleeves adapt end fittings to suit different pole diameters. Custom sizes available on request.
- ✔ Keelboat spinnaker pole ends are opened with an internal trip line, and close automatically when integrated trigger is depressed. Holes provided suit shackle or rope loop for topping lift and foreguy attachment.
- ✔ Isolating bush ensures smooth piston travel and protects against corrosion, integral ball bearing swivel for trip line attachment.
- ✔ RF1666 and RF1667 inboard ends suit RC13046 spinnaker pole car.
- ✔ RF1664 and RF1665 outboard ends: anodised aluminium body, grade 316 stainless steel hardware
- ✔ RF1666 and RF1667 inboard ends: acetal body with grade 316 stainless hardware.

| PRODUCT No. | DESCRIPTION | A mm | WEIGHT g | A in | WEIGHT oz |
|---|--|------|----------|---------|-----------|
| Spinnaker Pole Ends - Small Boat | | | | | |
| PNP164 | Nylon body, stainless steel push-on plunger pin, accepts up to 8mm (5/16") diameter ring or line | 21 | 33 | 13/16 | 1.2 |
| PNP165 | Nylon body, stainless steel push-on plunger pin, accepts up to 12mm (1/2") diameter ring or line | 28 | 46 | 1 1/8 | 1.6 |
| PNP166 | Nylon body, stainless steel push-on plunger pin, accepts up to 12mm (1/2") diameter ring or line | 46 | 125 | 1 13/16 | 4.4 |
| RF600 | Stainless steel body, stainless steel snap-on plunger pin and straps, accepts up to 9.5mm (3/8") diameter ring or line | 26 | 175 | 1 | 6.2 |
| RF601 | Stainless steel body, stainless steel snap-on plunger pin and straps, accepts up to 9.5mm (3/8") diameter ring or line | 36 | 180 | 1 7/16 | 6.3 |
| RF677 | Stainless steel body, stainless steel snap-on plunger pin and straps, accepts up to 9.5mm (3/8") diameter ring or line | 32 | 175 | 1 1/4 | 6.2 |
| Spinnaker Pole Ends - Keelboat | | | | | |
| RF1664 | Outboard pole end, aluminium with internal stainless steel plunger pin, trigger operated | 45.8 | 290 | 1 13/16 | 10.2 |
| RF1664S48 | Acetal sleeve for RF1664, suits tube ID 48mm | 47.5 | 10 | 1 7/8 | 0.4 |
| RF1664S56 | Acetal sleeve for RF1664, suits tube ID 56mm | 55.8 | 60 | 2 3/16 | 2.1 |
| RF1665 | Outboard pole end, aluminium with internal stainless steel plunger pin, trigger operated | 64.5 | 732 | 2 9/16 | 25.8 |
| RF1665S74 | Acetal sleeve for RF1665, suits tube ID 74mm | 73.8 | 90 | 2 15/16 | 3.2 |
| RF1665S96 | Acetal sleeve for RF1665, suits tube ID 96mm | 95.9 | 328 | 3 3/4 | 11.7 |
| RF1666 | Inboard pole end, acetal and stainless steel | 73.8 | 933 | 2 15/16 | 32.9 |
| RF1667 | Inboard pole end, acetal and stainless steel | 95.9 | 1174 | 3 3/4 | 41.4 |



✓ RF98, RF99: Pelican hooks are manufactured from stainless steel and have threaded tensioning adjustment, a long lever arm to facilitate closing under tension and a sliding sleeve retainer for quick opening and closing.

✓ PNP209 roller is used on life lines, above spreaders and on back stays to assist tacking and prevent sail chafe. It has a snap-together design that allows fitting to existing rigging.



| PRODUCT No. | DESCRIPTION | WIRE DIAM. | THREAD | A mm | B mm | C mm | D mm | WEIGHT g | A in | B in | C in | D in | WEIGHT oz |
|---|---|-------------|--------|------|------|------|------|----------|---------|-------|-------|---------|-----------|
| Pelican Hooks | | | | | | | | | | | | | |
| RF98 | Pelican hook, swage end, BL 400kg (880lb) | 4mm (5/32") | 1/4" | 15 | - | - | - | 112 | 19/32 | - | - | - | 4.0 |
| RF99 | Pelican hook, 6.4mm (1/4") diameter eye end, BL 400kg (880lb) | - | 1/4" | 15 | - | - | - | 115 | 19/32 | - | - | - | 4.1 |
| CS2831-6 | Pelican hook | - | M6 | 10 | - | 73 | - | 70 | 3/8 | - | 2 7/8 | - | 2.4 |
| Swage Fork, Swage Toggle & Threaded Swage Terminal | | | | | | | | | | | | | |
| RF1507M0404 | Swage Toggle | 4mm (5/32") | - | 87.1 | 6.2 | 7.8 | - | 44 | 3 7/16 | 1/4 | 5/16 | - | 1.6 |
| RF1509M0405 | Swage Fork | 4mm (5/32") | - | 75.5 | 7.8 | 4.9 | 45.5 | 34 | 2 31/32 | 5/16 | 3/16 | 1 25/32 | 1.2 |
| CS7803-04M5 | Swage Fork | 3mm (1/8") | - | 74.0 | 5.0 | 7.0 | 38.0 | 22 | 2 7/8 | 3/16 | 9/32 | 1 1/2 | 0.7 |
| CS7803-05 | Swage Fork | 4mm (5/32") | - | 77.0 | 8.0 | 11 | 45.0 | 44 | 3 | 5/16 | 7/16 | 1 3/4 | 1.6 |
| CS7801-M03M6 | Threaded swage terminal | 3mm (1/8") | M6 | 98.0 | 40 | 48 | - | 23 | 3 7/8 | 1 5/8 | 1 7/8 | - | 0.8 |
| CS7801-M04M6 | Threaded swage terminal | 4mm (5/32") | M6 | 111 | 45 | 48 | - | 26 | 4 3/8 | 1 3/4 | 1 7/8 | - | 0.9 |
| Anti-Chafe / Life Line Roller | | | | | | | | | | | | | |
| PNP209 | Spreader / backstay / life line roller, nylon | 5mm (3/16") | - | - | - | - | - | 38 | - | - | - | - | 1.3 |

Note - Commodity stainless product dimensions are indicative and subject to change