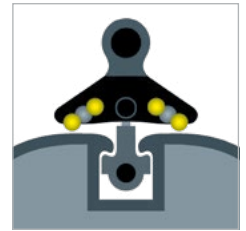




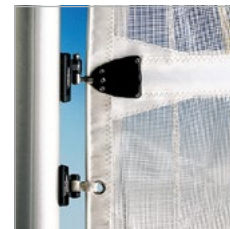
Captive ball bearings



Use existing mast luff groove



Quick release batten car models



Flexible solutions



Ball joint articulation

# BALLSLIDE™ BATTEN CAR SYSTEMS

## QUICK, EASY AND RELIABLE

Ronstan's Ballslide™ system makes raising and lowering the mainsail quick and easy. Recirculating captive ball bearings ensure free running performance, and since the cars use the existing luff groove of the mast there is no need to install a track.

### Compatibility

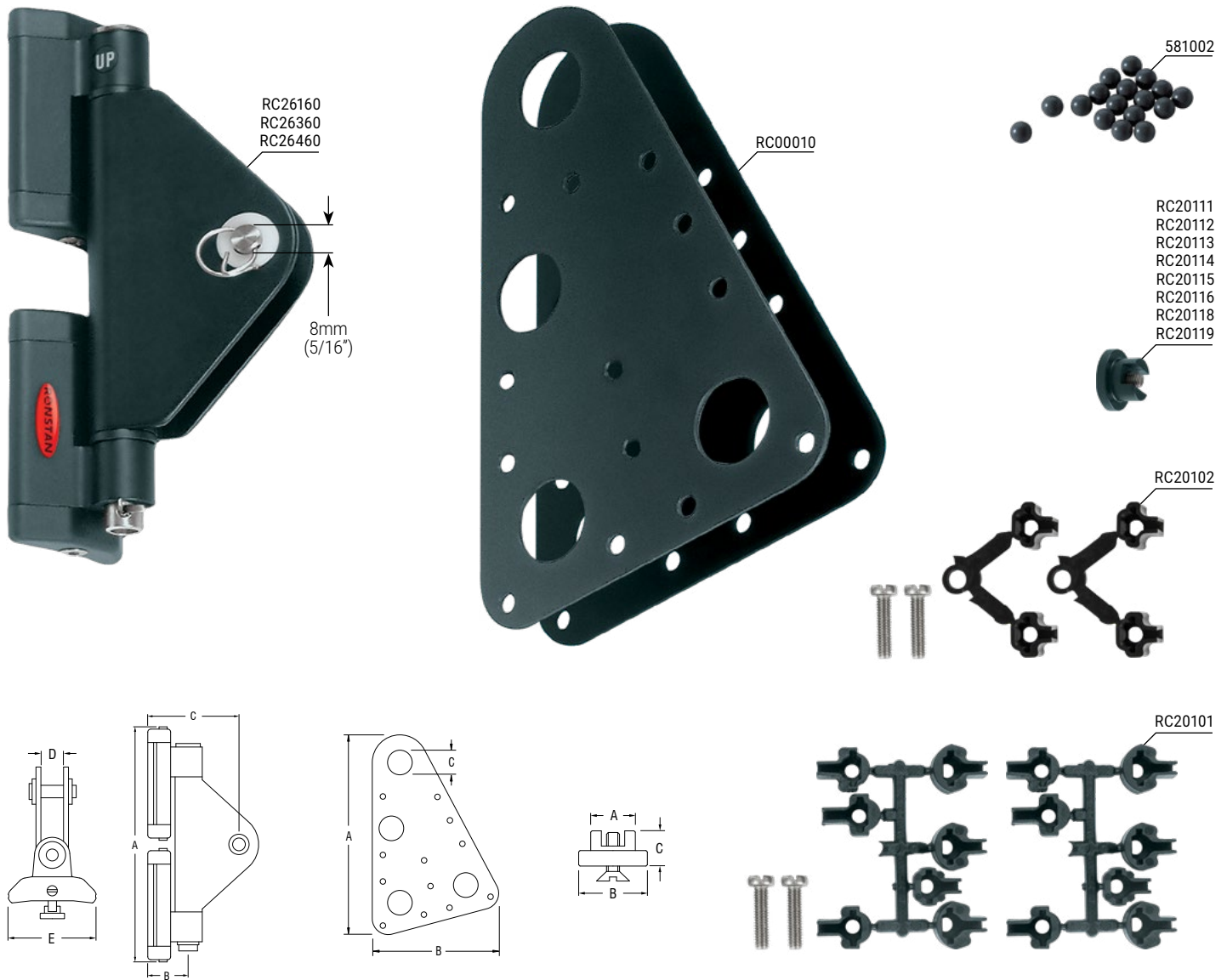
With a complete range of car profiles and feet there is a Ballslide™ solution for most available mast profiles and luff groove shapes on boats up to 18m (60ft). See page 144 for car and feet details. Selection tables and specification sheets can be downloaded at [www.ronstan.com](http://www.ronstan.com).

### Performance

**BB** Ballslide™ cars run on twin races of recirculating ball bearings specifically designed and oriented for compression loads. Hoisting and dropping the mainsail has never been easier! Ball joint links for batten receptacles and quick release pins for intermediate cars are configured to minimise the distance from mast to mainsail luff.

### Convenience

Ballslide™ cars are easily loaded, and just as easily removed from the luff groove of the mast. Larger boats using the Series 8 system may opt for cars with quick release ball joints for the batten receptacles to facilitate initial setup or removal of larger mainsails.



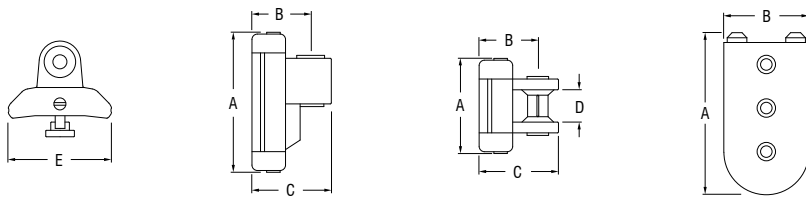
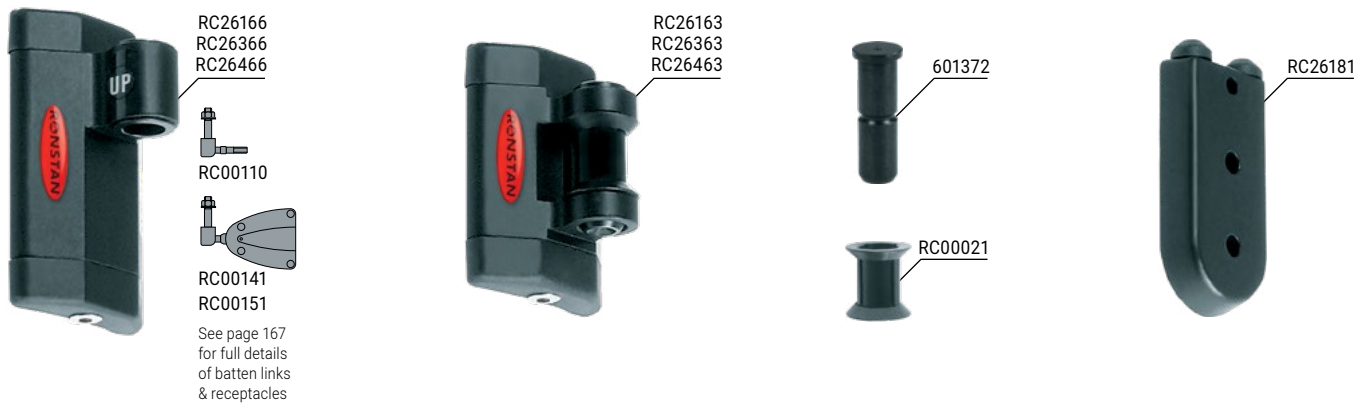
☑ Refer to page 144 and the SUPPORT tab at [www.ronstan.com](http://www.ronstan.com) for additional details regarding cars and feet installation information.

📄 Refer to the SUPPORT tab at [www.ronstan.com](http://www.ronstan.com) for assistance in specifying system requirements and schematic diagrams.

PRODUCT No.	DESCRIPTION	A	B	C	D	E	WEIGHT	A	B	C	D	E	WEIGHT
		mm	mm	mm	mm	mm	g	in	in	in	in	in	oz
<b>Series 6</b> <span style="border: 1px solid black; border-radius: 50%; padding: 2px;">BB</span>													
RC00010	Headboard plates (pair)	188.0	119	23.0	-	-	173	7 13/32	4 11/16	29/32	-	-	6.1
RC20101	Replacement Ballslide™ feet kit, suits RC261xx cars, includes one pair of each size narrow feet N1-N7	-	-	-	-	-	1	-	-	-	-	-	0.1
RC20102	Replacement Ballslide™ feet kit, suits RC263xx cars, includes one pair of each size narrow feet N8 & N9	-	-	-	-	-	1	-	-	-	-	-	0.1
RC20111	Ballslide™ wide feet (pair), with s/s screws & washers, suits RC264xx cars	13.0	20	10.3	-	-	14	1/2	25/32	13/32	-	-	0.5
RC20112	Ballslide™ wide feet (pair), with s/s screws & washers, suits RC264xx cars	13.7	20	11.4	-	-	14	17/32	25/32	7/16	-	-	0.5
RC20113	Ballslide™ wide feet (pair), with s/s screws & washers, suits RC264xx cars	13.7	20	11.0	-	-	14	17/32	25/32	7/16	-	-	0.5
RC20114	Ballslide™ wide feet (pair), with s/s screws & washers, suits RC264xx cars	13.7	20	11.5	-	-	14	17/32	25/32	7/16	-	-	0.5
RC20115	Ballslide™ wide feet (pair), with s/s screws & washers, suits RC264xx cars	12.8	20	10.5	-	-	14	1/2	25/32	13/32	-	-	0.5
RC20116	Ballslide™ wide feet (pair), with s/s screws & washers, suits RC264xx cars	8.8	16	6.6	-	-	6	11/32	5/8	1/4	-	-	0.2
RC20118	Ballslide™ wide feet (pair), with s/s screws & washers, suits RC264xx cars	8.8	16	7.6	-	-	6	11/32	5/8	5/16	-	-	0.2
RC20119	Ballslide™ feet (pair), with s/s screws & washers, suits RC264xx cars	9.8	20	9.9	-	-	10	3/8	25/32	3/8	-	-	0.3
RC26160	Headboard car, incl. RC20101 narrow feet set	160.0	23	62.0	12	41	280	6 5/16	29/32	2 7/16	15/32	1 5/8	9.9
RC26360	Headboard car, incl. RC20102 narrow feet set	160.0	23	62.0	12	41	280	6 5/16	29/32	2 7/16	15/32	1 5/8	9.9
RC26460	Headboard car, suits wide feet (not included)	160.0	23	62.0	12	41	280	6 5/16	29/32	2 7/16	15/32	1 5/8	9.9
<b>Spare Parts</b>													
581002	Ball bearing, acetal, 6.35mm (1/4") diameter	-	-	-	-	-	1	-	-	-	-	-	0.1



© Armare

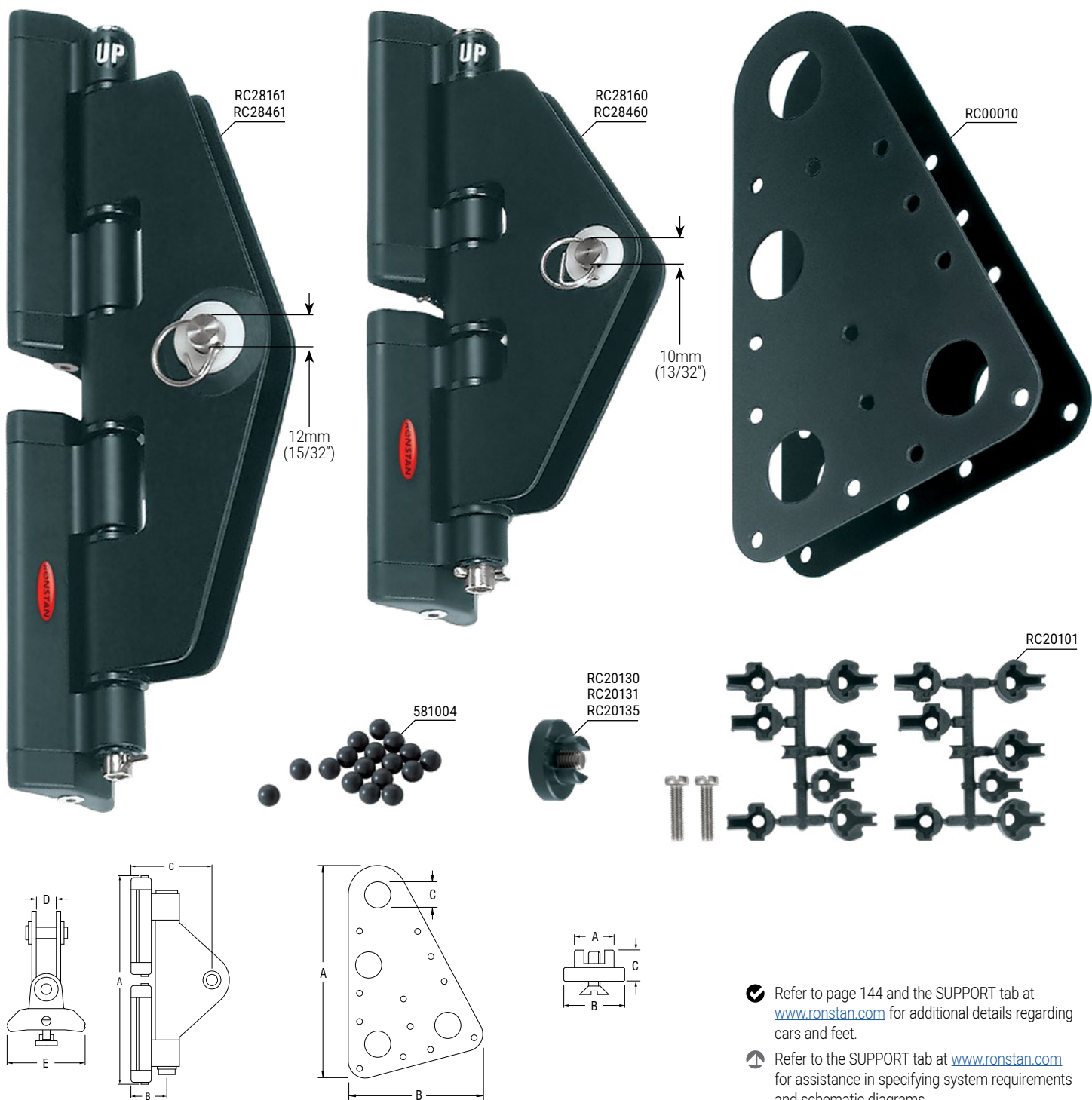


☑ Refer to page 144 and the SUPPORT tab at [www.ronstan.com](http://www.ronstan.com) for additional details regarding cars and feet.

⚙ Refer to the SUPPORT tab at [www.ronstan.com](http://www.ronstan.com) for assistance in specifying system requirements and schematic diagrams.

⚙ Monohulls to 12m (40ft) or sail area 38m<sup>2</sup> (409ft<sup>2</sup>).  
 ⚙ Multihulls to 9m (30ft) or sail area 30m<sup>2</sup> (323ft<sup>2</sup>).

PRODUCT No.	DESCRIPTION	A	B	C	D	E	WEIGHT	A	B	C	D	E	WEIGHT
		mm	mm	mm	mm	mm	g	in	in	in	in	in	oz
<b>Series 6 <sup>BB</sup></b>													
RC26163	Intermediate car, incl. RC20101 narrow feet set	55	23	31	18	41	50	2 5/32	29/32	1 7/32	23/32	1 5/8	1.8
RC26166	Batten car, incl. RC20101 narrow feet set	68	23	31	-	41	65	2 11/16	29/32	1 7/32	-	1 5/8	2.3
RC26181	End stop, plastic	68	33	-	-	-	11	2 11/16	1 5/16	-	-	-	0.4
RC26363	Intermediate car, incl. RC20102 narrow feet set	55	23	31	18	41	50	2 5/32	29/32	1 7/32	23/32	1 5/8	1.8
RC26366	Batten car, incl. RC20102 narrow feet set	68	23	31	-	41	65	2 11/16	29/32	1 7/32	-	1 5/8	2.3
RC26463	Intermediate car, suits wide feet (not included)	55	23	31	18	41	50	2 5/32	29/32	1 7/32	23/32	1 5/8	1.8
RC26466	Batten car, suits wide feet (not included)	68	23	31	-	41	65	2 11/16	29/32	1 7/32	-	1 5/8	2.3
<b>Spare Parts</b>													
601372	Replacement pin for RC26163, RC26363, RC26463	-	-	-	-	-	5	-	-	-	-	-	0.2
RC00021	Replacement bush for RC26163, RC26363, RC26463	-	-	-	-	-	1	-	-	-	-	-	0.1



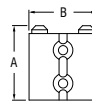
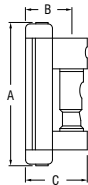
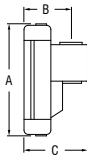
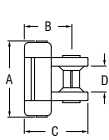
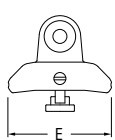
- ☑ Refer to page 144 and the SUPPORT tab at [www.ronstan.com](http://www.ronstan.com) for additional details regarding cars and feet.
- 📄 Refer to the SUPPORT tab at [www.ronstan.com](http://www.ronstan.com) for assistance in specifying system requirements and schematic diagrams.

PRODUCT No.	DESCRIPTION	A mm	B mm	C mm	D mm	E mm	WEIGHT g	A in	B in	C in	D in	E in	WEIGHT oz
<b>Series 8</b>													
RC00010	Headboard plates (pair)	188	119	23	-	-	173	7 13/32	4 11/16	29/32	-	-	6.1
RC20101	Replacement Ballslide™ feet kit, suits RC281xx cars, includes one pair of each size narrow feet N1-N7	-	-	-	-	-	1	-	-	-	-	-	0.1
RC20130	Ballslide™ wide feet (pair), suits RC284xx cars	13.3	24.0	11.4	-	-	22	17/32	15/16	7/16	-	-	0.8
RC20131	Ballslide™ wide feet (pair), suits RC284xx cars	11.6	23.0	11.8	-	-	20	15/32	29/32	15/32	-	-	0.7
RC20135	Ballslide™ wide feet (pair), suits RC284xx cars	12.5	24.0	10.5	-	-	22	1/2	15/16	13/32	-	-	0.8
RC28160	Headboard car, incl. RC20101 narrow feet set	214	30	75	16.5	51	520	8 7/16	1 3/16	2 15/16	2 1/32	2	18.3
RC28161	Headboard car, incl. RC20101 narrow feet set	290	30	75	16.5	51	750	11 7/16	1 3/16	2 15/16	2 1/32	2	26.5
RC28460	Headboard car, suits wide feet (not included)	214	30	75	16.5	51	520	8 7/16	1 3/16	2 15/16	2 1/32	2	18.3
RC28461	Headboard car, suits wide feet (not included)	290	30	75	16.5	51	750	11 7/16	1 3/16	2 15/16	2 1/32	2	26.5
<b>Spare Parts</b>													
581004	Ball bearing, acetal, 8.00mm (0.315") diameter	-	-	-	-	-	1	-	-	-	-	-	0.1



See page 167 for full details of batten links & receptacles

See page 167 for full details of batten links & receptacles



- ✔ Refer to page 144 and the SUPPORT tab at [www.ronstan.com](http://www.ronstan.com) for additional details regarding cars and feet.
- ⬆ Refer to the SUPPORT tab at [www.ronstan.com](http://www.ronstan.com) for assistance in specifying system requirements and schematic diagrams.

- ⬆ Long cars: Monohulls to 18m (60ft) or sail area 60m<sup>2</sup> (646ft<sup>2</sup>).
- ⬆ Long cars: Multihulls to 13m (43ft) or sail area 48m<sup>2</sup> (517ft<sup>2</sup>).

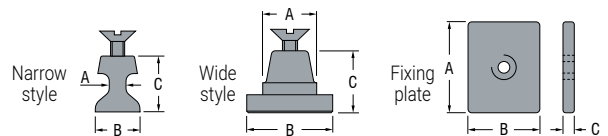
- ⬆ Short cars: Monohulls to 16m (53ft) or sail area 53m<sup>2</sup> (570ft<sup>2</sup>).
- ⬆ Short cars: Multihulls to 11m (36ft) or sail area 42m<sup>2</sup> (452ft<sup>2</sup>).

PRODUCT No.	DESCRIPTION	A	B	C	D	E	WEIGHT	A	B	C	D	E	WEIGHT
		mm	mm	mm	mm	mm	g	in	in	in	in	in	oz
<b>Series 8 </b>													
RC28163	Intermediate car, incl. RC20101 narrow feet set	76.0	30.0	37.0	18	51	115	3	13/16	115/32	23/32	2	4.1
RC28166	Batten car, incl. RC20101 narrow feet set	92.0	30.0	37.0	-	51	140	3 5/8	13/16	115/32	-	2	4.9
RC28169	Quick release batten car, incl. RC20101 narrow feet set	105.0	30.0	37.0	-	51	220	4 1/8	13/16	115/32	-	2	7.8
RC28181	End stop	54.0	45.0	-	-	-	35	2 1/8	1 25/32	-	-	-	1.2
RC28463	Intermediate car, suits wide feet (not included)	76.0	30.0	37.0	18	51	115	3	13/16	115/32	23/32	2	4.1
RC28466	Batten car, suits wide feet (not included)	92.0	30.0	37.0	-	51	140	3 5/8	13/16	115/32	-	2	4.9
RC28469	Quick release batten car, suits wide feet (not included)	105.0	30.0	37.0	-	51	220	4 1/8	13/16	115/32	-	2	7.8
<b>Spare Parts</b>													
601372	Replacement pin for RC28163, RC28463	-	-	-	-	-	5	-	-	-	-	-	0.2
RC00021	Replacement bush for RC28163, RC28463	-	-	-	-	-	1	-	-	-	-	-	0.1

## BALLSLIDE™ SYSTEM CAR/FOOT IDENTIFICATION & REPLACEMENT PARTS

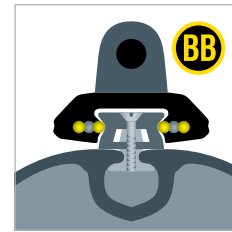
	NARROW FOOT CARS		WIDE FOOT CARS																																																																
	<p>Series 6 - 41mm (1 5/8") wide Series 8 - 51mm (2") wide</p>		<p>Series 6 - 41mm (1 5/8") wide Series 8 - 51mm (2") wide</p>																																																																
<b>SERIES 6 <sup>BB</sup></b> Car PRODUCT No.	<b>RC261XX</b> Includes 2 x foot sets (N1 to N7), and 2 x screws.	<b>RC263XX</b> Includes 2 x foot sets (N8 & N9), and 2 x screws.	<b>RC264XX</b> Feet not included. Order separately, 1 pair required per car - see below.																																																																
<b>REPLACEMENT FOOT SET</b>	<p><b>RC20101</b> Includes 2 x foot sets, and 2 x screws.</p>	<p><b>RC20102</b> Includes 2 x foot sets, and 2 x screws.</p>	<p>Order separately. Includes washer &amp; screw.</p> <table border="1"> <thead> <tr> <th>Foot PRODUCT No.</th> <th>A mm</th> <th>B mm</th> <th>C mm</th> <th>A in</th> <th>B in</th> <th>C in</th> </tr> </thead> <tbody> <tr><td>RC20111</td><td>13.0</td><td>20.0</td><td>10.4</td><td>1/2</td><td>25/32</td><td>13/32</td></tr> <tr><td>RC20112</td><td>13.7</td><td>20.0</td><td>11.4</td><td>17/32</td><td>25/32</td><td>7/16</td></tr> <tr><td>RC20113</td><td>13.7</td><td>20.0</td><td>11.0</td><td>17/32</td><td>25/32</td><td>7/16</td></tr> <tr><td>RC20114</td><td>13.7</td><td>20.0</td><td>11.5</td><td>17/32</td><td>25/32</td><td>7/16</td></tr> <tr><td>RC20115</td><td>12.8</td><td>20.0</td><td>10.5</td><td>1/2</td><td>25/32</td><td>13/32</td></tr> <tr><td>RC20116</td><td>8.8</td><td>16.0</td><td>6.6</td><td>11/32</td><td>5/8</td><td>1/4</td></tr> <tr><td>RC20118</td><td>8.8</td><td>16.0</td><td>7.6</td><td>11/32</td><td>5/8</td><td>5/16</td></tr> <tr><td>RC20119</td><td>9.8</td><td>20.0</td><td>10.0</td><td>12/32</td><td>25/32</td><td>13/32</td></tr> </tbody> </table>		Foot PRODUCT No.	A mm	B mm	C mm	A in	B in	C in	RC20111	13.0	20.0	10.4	1/2	25/32	13/32	RC20112	13.7	20.0	11.4	17/32	25/32	7/16	RC20113	13.7	20.0	11.0	17/32	25/32	7/16	RC20114	13.7	20.0	11.5	17/32	25/32	7/16	RC20115	12.8	20.0	10.5	1/2	25/32	13/32	RC20116	8.8	16.0	6.6	11/32	5/8	1/4	RC20118	8.8	16.0	7.6	11/32	5/8	5/16	RC20119	9.8	20.0	10.0	12/32	25/32	13/32
Foot PRODUCT No.	A mm	B mm	C mm	A in	B in	C in																																																													
RC20111	13.0	20.0	10.4	1/2	25/32	13/32																																																													
RC20112	13.7	20.0	11.4	17/32	25/32	7/16																																																													
RC20113	13.7	20.0	11.0	17/32	25/32	7/16																																																													
RC20114	13.7	20.0	11.5	17/32	25/32	7/16																																																													
RC20115	12.8	20.0	10.5	1/2	25/32	13/32																																																													
RC20116	8.8	16.0	6.6	11/32	5/8	1/4																																																													
RC20118	8.8	16.0	7.6	11/32	5/8	5/16																																																													
RC20119	9.8	20.0	10.0	12/32	25/32	13/32																																																													
<b>REPLACEMENT BALL</b>	<b>581002</b> 6.35mm (1/4") diameter	<b>581002</b> 6.35mm (0.25in) diameter	<b>581002</b> 6.35mm (0.25in) diameter																																																																
<b>SERIES 8 <sup>BB</sup></b> Car PRODUCT No.	<b>RC281XX</b> Includes 2 x foot sets (N1 to N7), and 2 x screws.		<b>RC284XX</b> Feet not included. Order separately, 1 pair required per car - see below.																																																																
<b>REPLACEMENT FOOT SET</b>	<p><b>RC20101</b> Includes 2 x foot sets, and 2 x screws.</p>		<p>Order separately. Includes washer &amp; screw.</p> <table border="1"> <thead> <tr> <th>Foot PRODUCT No.</th> <th>A mm</th> <th>B mm</th> <th>C mm</th> <th>A in</th> <th>B in</th> <th>C in</th> </tr> </thead> <tbody> <tr><td>RC20130</td><td>13.3</td><td>24.0</td><td>11.4</td><td>17/32</td><td>15/16</td><td>7/16</td></tr> <tr><td>RC20131</td><td>11.6</td><td>23.0</td><td>11.8</td><td>15/32</td><td>29/32</td><td>15/32</td></tr> <tr><td>RC20135</td><td>12.5</td><td>24.0</td><td>10.5</td><td>1/2</td><td>15/16</td><td>13/32</td></tr> </tbody> </table>		Foot PRODUCT No.	A mm	B mm	C mm	A in	B in	C in	RC20130	13.3	24.0	11.4	17/32	15/16	7/16	RC20131	11.6	23.0	11.8	15/32	29/32	15/32	RC20135	12.5	24.0	10.5	1/2	15/16	13/32																																			
Foot PRODUCT No.	A mm	B mm	C mm	A in	B in	C in																																																													
RC20130	13.3	24.0	11.4	17/32	15/16	7/16																																																													
RC20131	11.6	23.0	11.8	15/32	29/32	15/32																																																													
RC20135	12.5	24.0	10.5	1/2	15/16	13/32																																																													
<b>REPLACEMENT BALL</b>	<b>581004</b> 8.00mm (0.315in) diameter		<b>581004</b> 8.00mm (0.315in) diameter																																																																

## TRACK & CAR SYSTEM TRACK MOUNTING SLUGS & FIXING PLATES



PRODUCT No.	BATTEN TRACK SUITED	STYLE	FASTENING	A mm	B mm	C mm	A in	B in	C in
RC00310*	Series 19	Narrow	M5 countersunk (included)	3.7	9.4	13.5	5/32	3/8	17/32
RC00312	Series 19	Narrow	M5 countersunk (included)	2.8	7.6	12.6	1/8	5/16	1/2
RC00315*	Series 19	Narrow	M5 countersunk (included)	4.6	12.7	16.0	3/16	1/2	5/8
RC00316	Series 19	Narrow	M5 countersunk (included)	3.6	11.0	15.0	5/32	7/16	19/32
RC00321	Series 19	Wide	M5 countersunk (included)	11.8	19.9	13.0	15/32	25/32	1/2
RC00322	Series 19	Wide	M5 countersunk (included)	13.5	21.0	13.0	15/32	27/32	1/2
RC00323	Series 19	Wide	M5 countersunk (included)	8.1	15.0	13.5	5/16	19/32	17/32
RC00370*	Series 19	Fixing plate	M5 countersunk (not included)	25.0	20.0	5.0	1	25/32	3/16
RC00332	Series 22, 26	Narrow	M6 countersunk (included)	3.5	8.3	16.1	1/8	5/16	5/8
RC00333*	Series 22, 26	Narrow	M6 countersunk (included)	4.6	13.0	18.0	3/16	1/2	23/32
RC00341	Series 22, 26	Wide	M6 countersunk (included)	13.6	21.0	15.5	17/32	27/32	5/8
RC00343	Series 22, 26	Wide	M6 countersunk (included)	11.8	19.8	15.5	15/32	25/32	5/8
RC00380*	Series 22, 26	Fixing plate	M6 countersunk (not included)	25.0	20.0	5.0	1	3/4	3/16
RC00360*	Series 30	Wide	M8 countersunk (included)	12.6	22.9	18.0	1/2	29/32	23/32

\* Most commonly used



Ball Bearing systems



Captive Ball systems



Quick release batten car models



Luff groove tracks for sail flexibility



Track mounting slugs

# TRACK & CAR BATTEN CAR SYSTEMS

## STRENGTH & SIMPLICITY

Sailing professionals around the world choose Ronstan batten systems for superior and innovative features combined with race-proven performance and reliability. With 7 track sizes in the standard product range, there is a system with the right specifications for every boat and sail plan.

### Flexible solutions

**BB Ball Bearing** cars run on twin races of recirculating ball bearings that engage with the track profile for excellent all round performance, even when reefing while sailing off the wind.

**CB Captive Ball** cars use a combination of captive recirculating ball bearings running on the face of the track for compression loads, and sliderods to provide extra strength for high static loads. All bearings are captive, allowing for easy installation and removal.

Luff groove tracks are compatible with 'soft luff' and fully battened mainsails, making it easy to change between the two. They may be bonded to carbon masts with special adhesives.

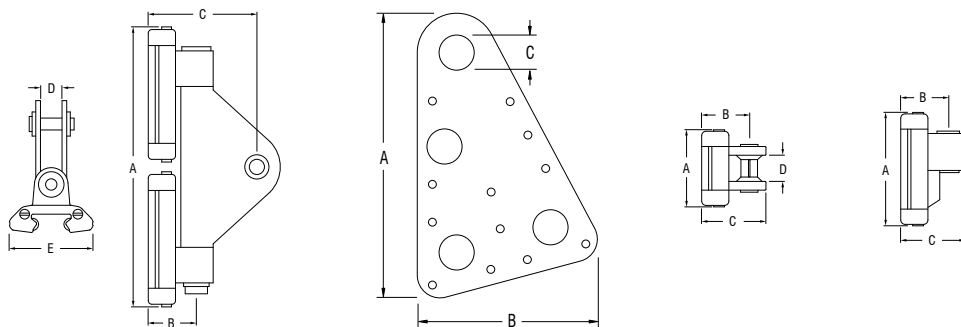
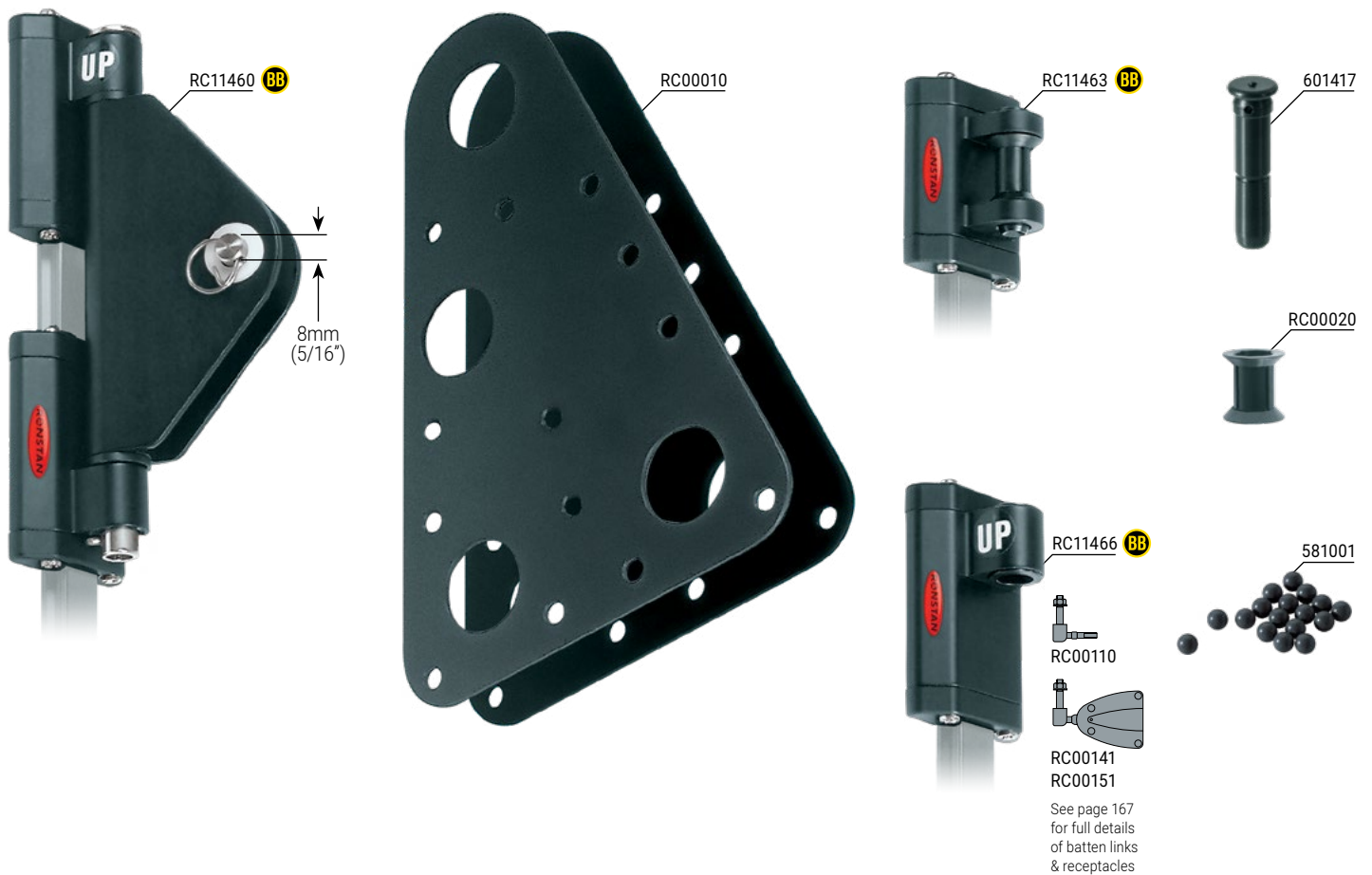
Quick release cars make the job easier when the sail needs to be removed for changeover, repair or stowage.

### Ball joint articulation

A stainless steel ball joint link between the car and the batten receptacle provides movement in all directions with a minimum of 105° (112° for ball bearing cars) either side of centre. Ball joint links are available to suit Ronstan batten receptacles and most other types.

### Installation options

Installation can be greatly simplified for Series 19 through Series 30 by the use of threaded slugs that locate in the existing luff groove of the mast, avoiding the need to drill and tap holes for fasteners and other complications. Slugs are self-locating and allow for track installation without having to remove the mast from the boat. See page 144 for track mounting slug details.



⬆ Monohulls to 12m (40ft) or sail area 38m<sup>2</sup> (409ft<sup>2</sup>).

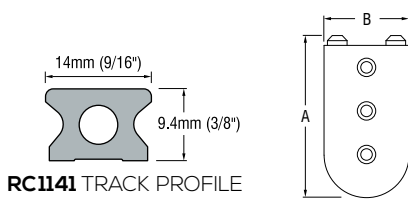
⬆ Multihulls to 9m (30ft) or sail area 30m<sup>2</sup> (323ft<sup>2</sup>).

PRODUCT No.	DESCRIPTION	A	B	C	D	E	WEIGHT	A	B	C	D	E	WEIGHT
		mm	mm	mm	mm	mm	g	in	in	in	in	in	oz
<b>Series 14 <b>BB</b></b>													
RC00010	Headboard plates (pair)	188	119	23	-	-	173	7 13/32	4 11/16	29/32	-	-	6.1
RC11460	Headboard car	155	22	60	12.5	41	240	6 3/32	7/8	2 3/8	1/2	1 5/8	8.5
RC11463	Intermediate car	54	22	30	18.0	41	44	2 1/8	7/8	1 3/16	23/32	1 5/8	1.6
RC11466	Batten car	66	22	30	-	41	57	2 19/32	7/8	1 3/16	-	1 5/8	2.0
<b>Spare Parts</b>													
581001	Ball bearing, acetal, 5.00mm (0.197") diameter	-	-	-	-	-	1	-	-	-	-	-	0.1
601417	Replacement pin for RC11463	-	-	-	-	-	4	-	-	-	-	-	0.1
RC00020	Replacement bush for RC11463	-	-	-	-	-	1	-	-	-	-	-	0.1





© Dragonfly



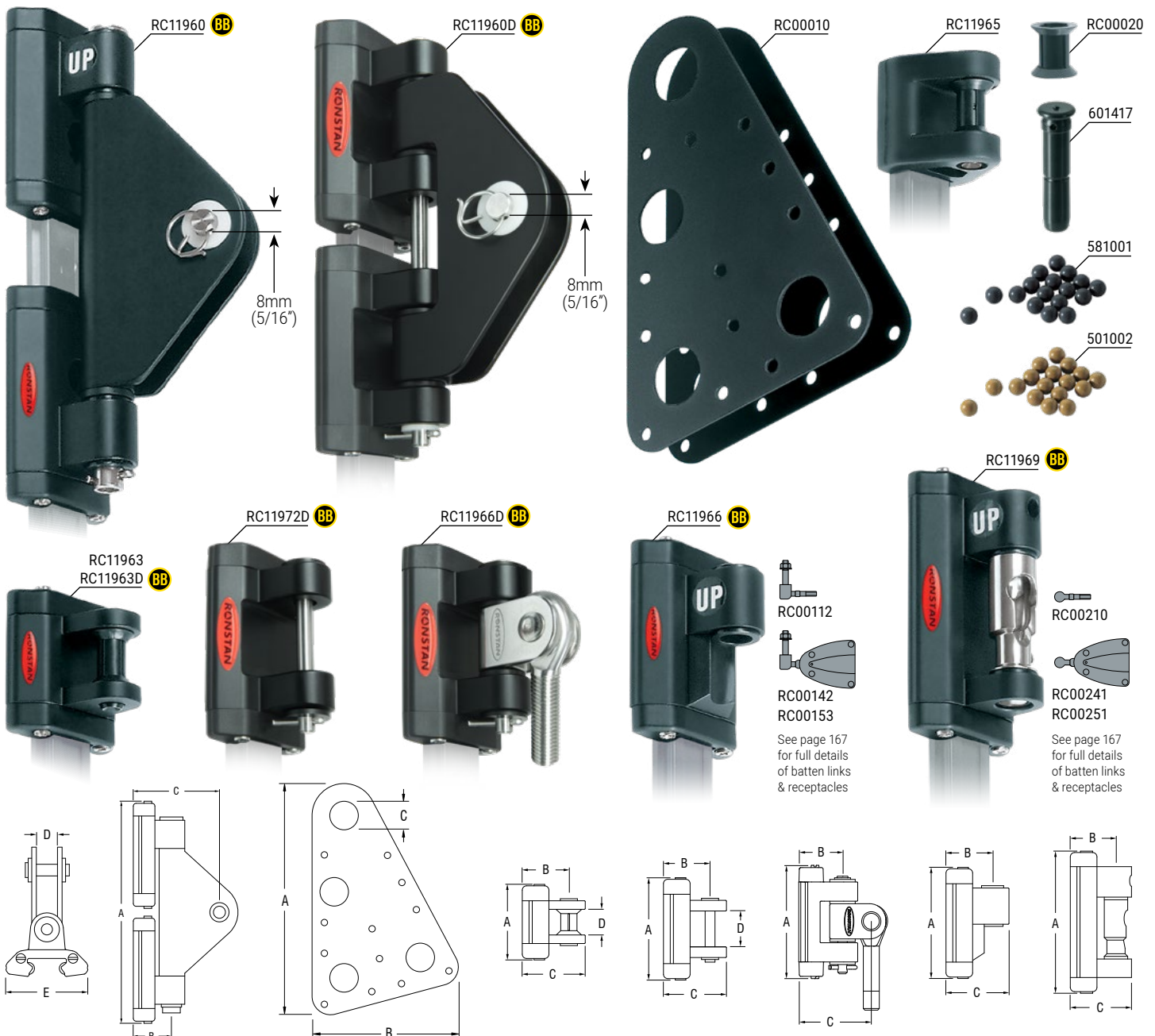
☑ Refer to page 144 and the SUPPORT tab at [www.ronstan.com](http://www.ronstan.com) for system schematics and installation information.

**TRACK FASTENINGS** – M4 (5/32") cylinder head fasteners at 37.5mm (1 1/2") centres.

PRODUCT No.	DESCRIPTION	A	B	C	WEIGHT	A	B	C	WEIGHT
		mm	mm	mm	g	in	in	in	oz
<b>Series 14</b>									
RC1141-2.0*1	Track, 1975mm (77 13/16") long, black	14	9.4	-	421	9/16	3/8	-	14.9
RC1141-3.0*1&2	Track, 3025mm (119 3/16") long, black	14	9.4	-	625	9/16	3/8	-	22.0
RC1141J	Track joiner, acetal	-	-	-	1	-	-	-	0.1
RC11480	End cap, plastic, L28mm x W20mm (1 1/8" x 25/32")	-	-	-	6	-	-	-	0.2
RC11481	End stop, plastic	68	33.0	-	11	2 11/16	1 5/16	-	0.4
RC1149-0.2*1	Gate track, 250mm (9 27/32") long, black	14	9.4	-	52	9/16	3/8	-	1.8

\*1 Silver track available - Order as RCxxxxxxS  
 \*2 Longer track available on request.

# SERIES 19 BB



⬆ Multihulls to 11m (36ft) or sail area 37m<sup>2</sup> (398ft<sup>2</sup>).

⬆ Monohulls to 14m (46ft) or sail area 44m<sup>2</sup> (474ft<sup>2</sup>).

⬆ RC119xxD - suitable for multihulls to 10m (33ft) or sail area 36m<sup>2</sup> (388ft<sup>2</sup>).

⬆ RC119xxD - suitable for monohulls to 13m (43ft) or sail area 43m<sup>2</sup> (463ft<sup>2</sup>).

PRODUCT No.	DESCRIPTION	A	B	C	D	E	WEIGHT	A	B	C	D	E	WEIGHT
		mm	mm	mm	mm	mm	g	in	in	in	in	in	oz

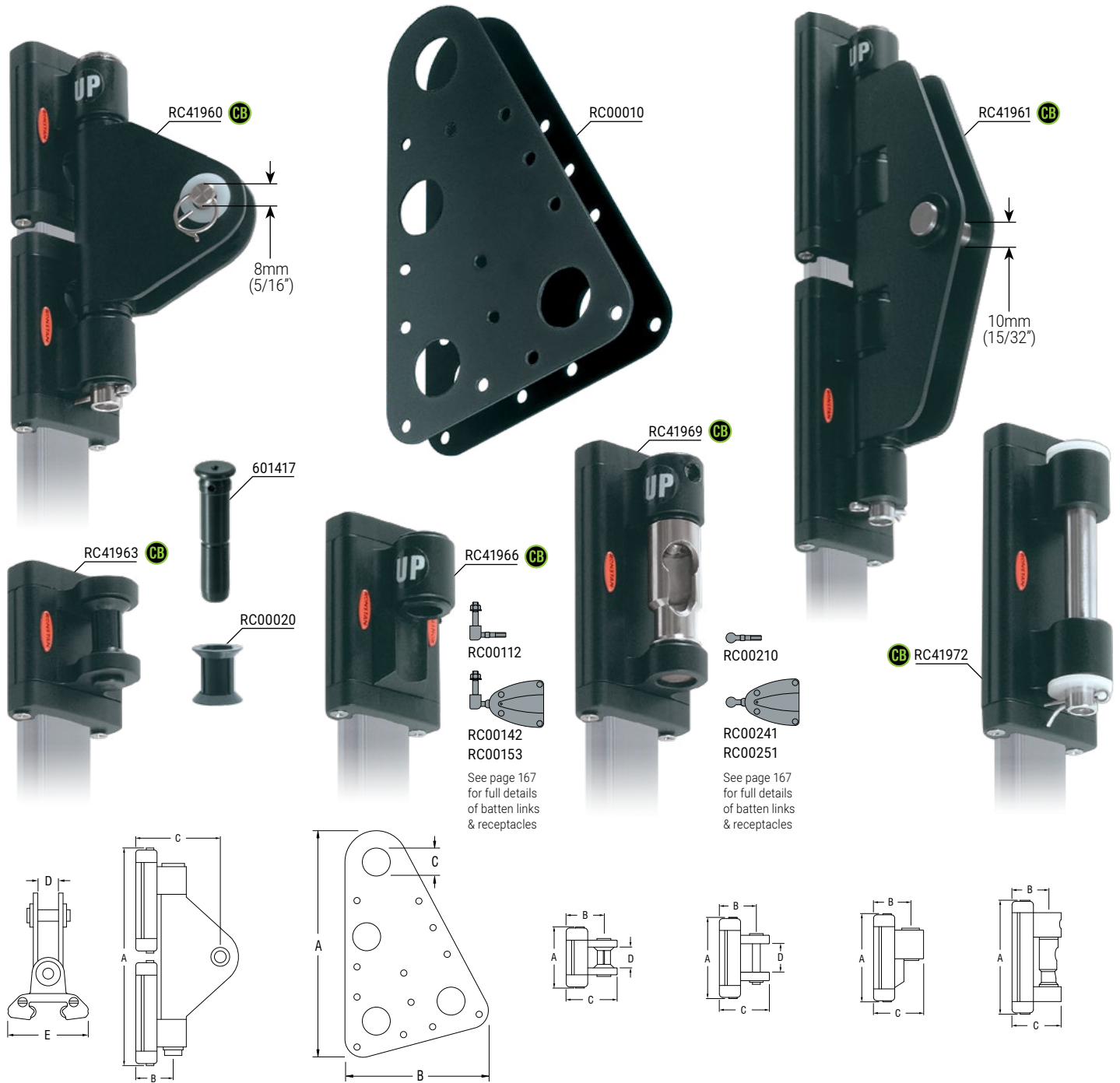
**Series 19 BB**

RC00010	Headboard plates (pair)	188	119	23	-	-	173	7 13/32	4 11/16	29/32	-	-	6.1
RC11960	Headboard car	171	26	65	11.5	47	310	6 3/4	1 1/32	2 9/16	7/16	1 27/32	11.0
RC11960D	Headboard car	146	27	63	12.2	47	270	5 3/4	1 1/16	2 15/32	15/32	1 27/32	9.5
RC11963	Intermediate car	51	27	37	18.0	47	61	2	1 1/16	1 15/32	23/32	1 27/32	2.2
RC11963D	Intermediate car	51	27	37	18.0	47	61	2	1 1/16	1 15/32	23/32	1 27/32	2.2
RC11965	Track slide, acetal	37	26	36	17.5	38	25	1 15/32	1 1/32	1 13/32	11/16	1 1/2	0.9
RC11966	Batten car	66	26	36	-	47	75	2 19/32	1 1/32	1 13/32	-	1 27/32	2.6
RC11966D	Batten car, includes receptacle link M10	71	27	45	M10	47	204	2 13/16	1 1/16	1 25/32	M10	1 27/32	7.2
RC11969	Quick release batten car	88	26	36	-	47	145	3 15/32	1 1/32	1 13/32	-	1 27/32	5.1
RC11972D	Reef car, pin diam. Ø5.9mm (7/32")	71	27	37	26.0	47	100	2 13/16	1 1/16	1 15/32	1 1/32	1 27/32	3.5

**Spare Parts**

581001	Ball bearing, acetal, 5.00mm (0.197") diameter (suits cars with "D" part number suffix)	-	-	-	-	-	1	-	-	-	-	-	0.1
501002	Ball bearing, Torlon®, 5.00mm (0.197") diameter	-	-	-	-	-	1	-	-	-	-	-	0.1
601417	Replacement pin for RC11963, RC11963D	-	-	-	-	-	4	-	-	-	-	-	0.1
RC00020	Replacement bush for RC11963, RC11963D	-	-	-	-	-	1	-	-	-	-	-	0.1

Torlon® is a registered trademark of Solvay Advanced Polymers



⬆ Long cars: Monohulls to 15m (50ft)  
or sail area 53m<sup>2</sup> (570ft<sup>2</sup>).

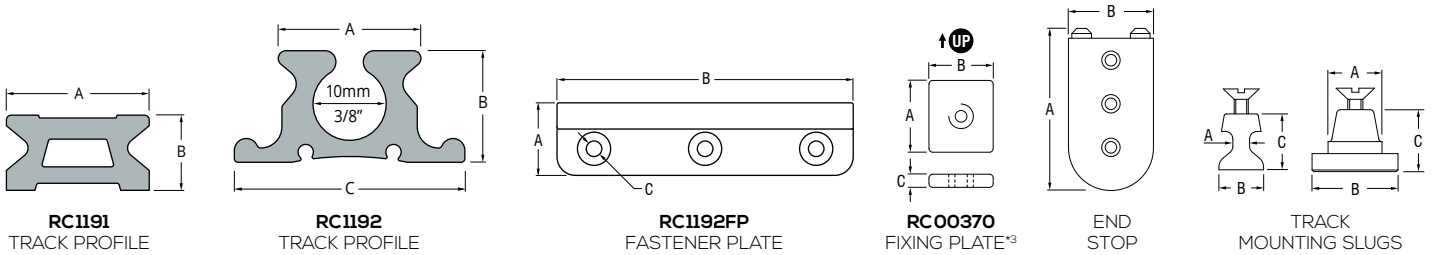
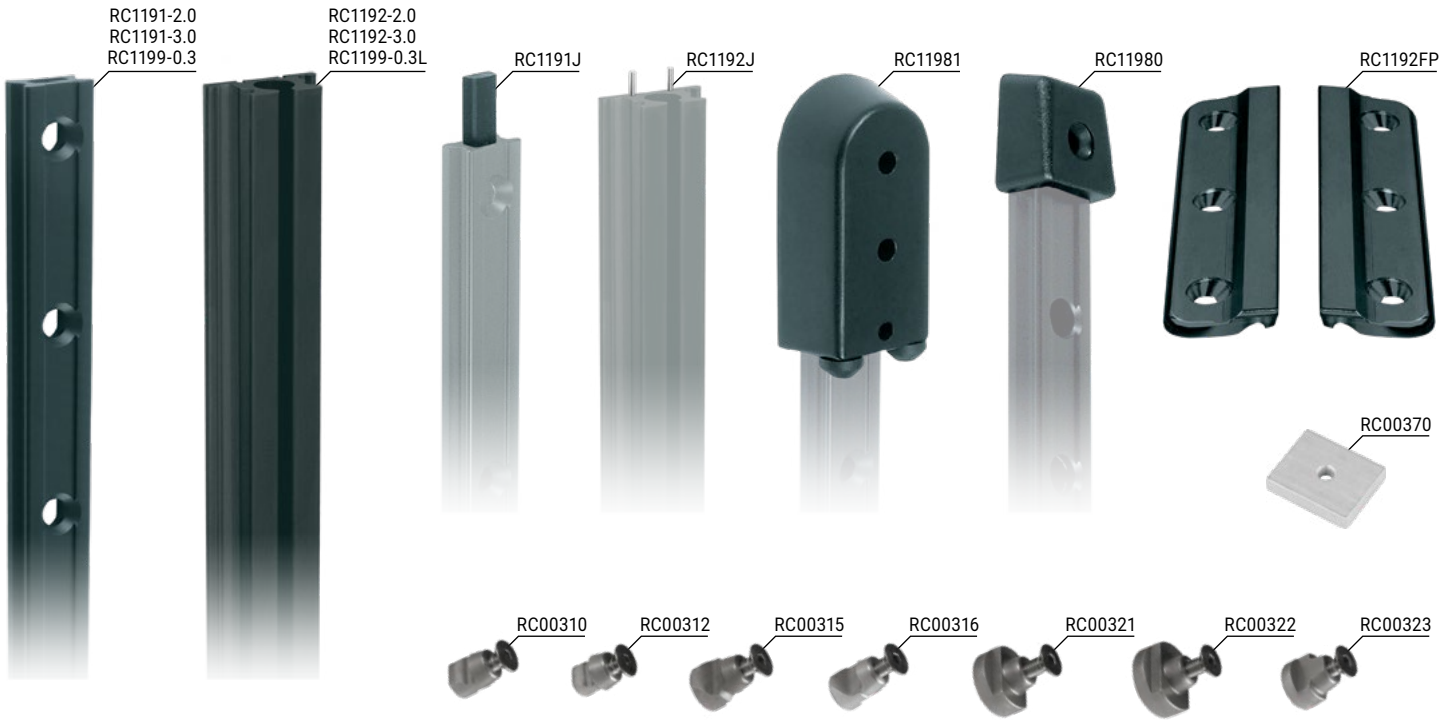
⬆ Long cars: Multihulls to 12m (40ft)  
or sail area 46m<sup>2</sup> (495ft<sup>2</sup>).

⬆ Short cars: Monohulls to 14m (46ft)  
or sail area 48m<sup>2</sup> (517ft<sup>2</sup>).

⬆ Short cars: Multihulls to 11m (36ft)  
or sail area 41m<sup>2</sup> (441ft<sup>2</sup>).

PRODUCT No.	DESCRIPTION	A	B	C	D	E	WEIGHT	A	B	C	D	E	WEIGHT
		mm	mm	mm	mm	mm	g	in	in	in	in	in	oz
<b>Series 19 CB</b>													
RC00010	Headboard plates (pair)	188	119	23	-	-	173	7 13/32	4 11/16	29/32	-	-	6.1
RC41960	Headboard car (short)	126	29	66	12.2	39	243	4 15/16	1 1/8	2 5/8	15/32	1 9/16	8.6
RC41961	Headboard car (long)	209	29	64	12.2	39	420	8 3/16	1 1/8	2 1/2	15/32	1 9/16	14.8
RC41963	Intermediate car	44	29	38	18.0	39	57	1 5/8	1 1/8	1 7/16	1 1/16	1 9/16	2.0
RC41966	Batten car	61	29	38	-	39	76	2 3/8	1 1/8	1 7/16	-	1 9/16	2.7
RC41969	Quick release batten car	84	29	38	-	39	144	3 1/4	1 1/8	1 7/16	-	1 9/16	5.1
RC41972	Reef car, pin diam. Ø9.9mm (13/32")	98	29	38	37.0	39	151	3 3/4	1 1/8	1 7/16	1 7/16	1 9/16	5.3
<b>Spare Parts</b>													
601417	Replacement pin for RC41963	-	-	-	-	-	4	-	-	-	-	-	0.1
RC00020	Replacement bush for RC41963	-	-	-	-	-	1	-	-	-	-	-	0.1

# SERIES 19 TRACK

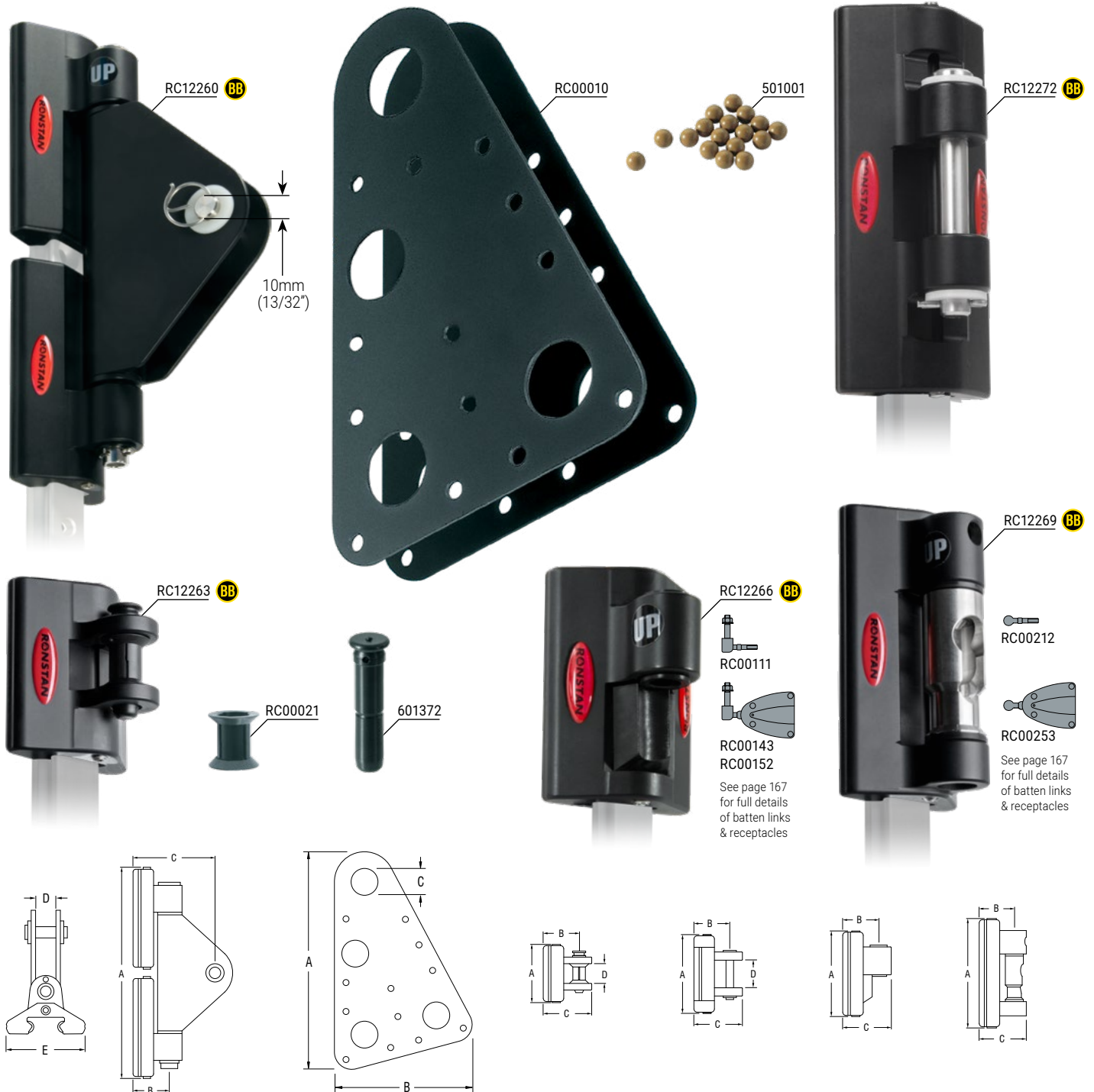


Refer to page 144 and the SUPPORT tab at [www.ronstan.com](http://www.ronstan.com) for full track mounting slug details, system schematics and installation information.

**TRACK FASTENINGS** – M5 (3/16") countersunk head fasteners at 100mm (3 15/16") centres.

PRODUCT No.	DESCRIPTION	A	B	C	WEIGHT	A	B	C	WEIGHT
		mm	mm	mm	g	in	in	in	oz
<b>Series 19</b>									
RC00310	Track mounting slug, including M5 screw	3.7	9.4	13.5	4	5/32	3/8	17/32	0.1
RC00312	Track mounting slug, including M5 screw	2.8	7.6	12.6	3	1/8	5/16	1/2	0.1
RC00315	Track mounting slug, including M5 screw	4.6	12.7	16.0	5	3/16	1/2	5/8	0.2
RC00316	Track mounting slug, including M5 screw	3.6	11.0	15.0	5	5/32	7/16	19/32	0.2
RC00321	Track mounting slug, including M5 screw	11.8	19.9	13.0	8	15/32	25/32	1/2	0.3
RC00322	Track mounting slug, including M5 screw	13.5	21.0	13.0	9	15/32	27/32	1/2	0.3
RC00323	Track mounting slug, including M5 screw	8.1	15.0	13.5	6	5/16	19/32	17/32	0.2
RC00370	Track fixing plate, suits Series 19, M5 thread	25.0	20.0	5.0	6	1	25/32	3/16	0.2
RC1191-2.0*1	Track, 2025mm (79 3/4") long, black. Requires 21 track mounting slugs	19.4	10.4	-	614	25/32	13/32	-	21.7
RC1191-3.0*1&2	Track, 3025mm (119 3/16") long, black. Requires 31 track mounting slugs	19.4	10.4	-	932	25/32	13/32	-	32.9
RC1192-2.0*1	Luff groove track, 2025mm (79 3/4") long, black	19.5	15.3	31.5	1090	25/32	19/32	1 1/4	38.4
RC1192-3.0*1&2	Luff groove track, 3025mm (119 3/16") long, black	19.5	15.3	31.5	1630	25/32	19/32	1 1/4	57.5
RC1192FP	Luff groove track clamping plates, black (pair)	19.6	80.0	4.0	11	25/32	3 5/32	5/32	0.4
RC1191J	Track joiner, acetal	-	-	-	3	-	-	-	0.1
RC1192J	Luff groove track joiners (pair)	-	-	-	1	-	-	-	0.1J
RC1199-0.3*1	Gate track, 325mm (12 13/16") long, black. Requires 4 track mounting slugs	19.0	10.4	-	97	3/4	13/32	-	3.4
RC1199-0.3L*1	Luff groove gate track, 325mm (12 13/16") long, black	19.5	15.3	31.5	175	25/32	19/32	1 1/4	6.2
RC11980	End cap, plastic, L30mm x W26mm (1 3/16" x 1 1/32")	-	-	-	6	-	-	-	0.2
RC11981	End stop, plastic	70.0	38.0	-	15	2 3/4	1 1/2	-	0.5

\*1 Silver track available - Order as RCxxxxxxxS  
 \*2 Longer track available on request.  
 \*3 For correct alignment of fasteners, position track fixing plates with long sides parallel with mast groove

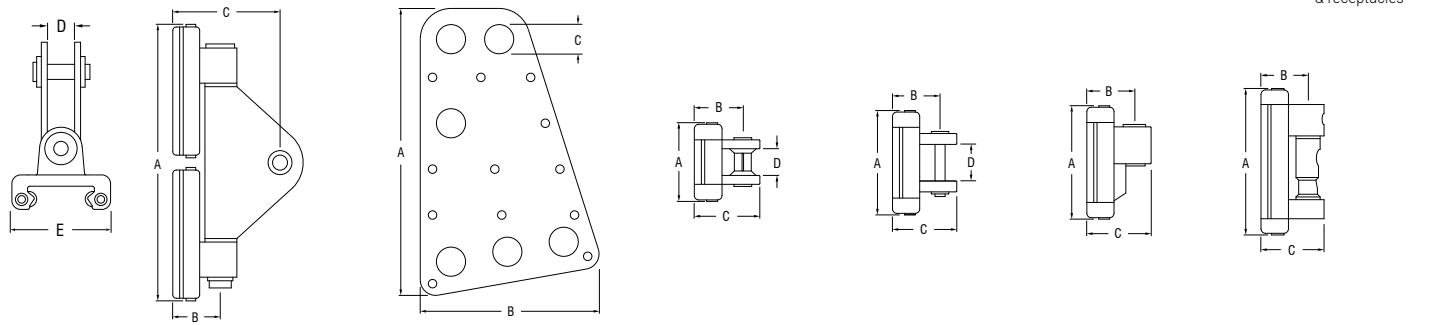
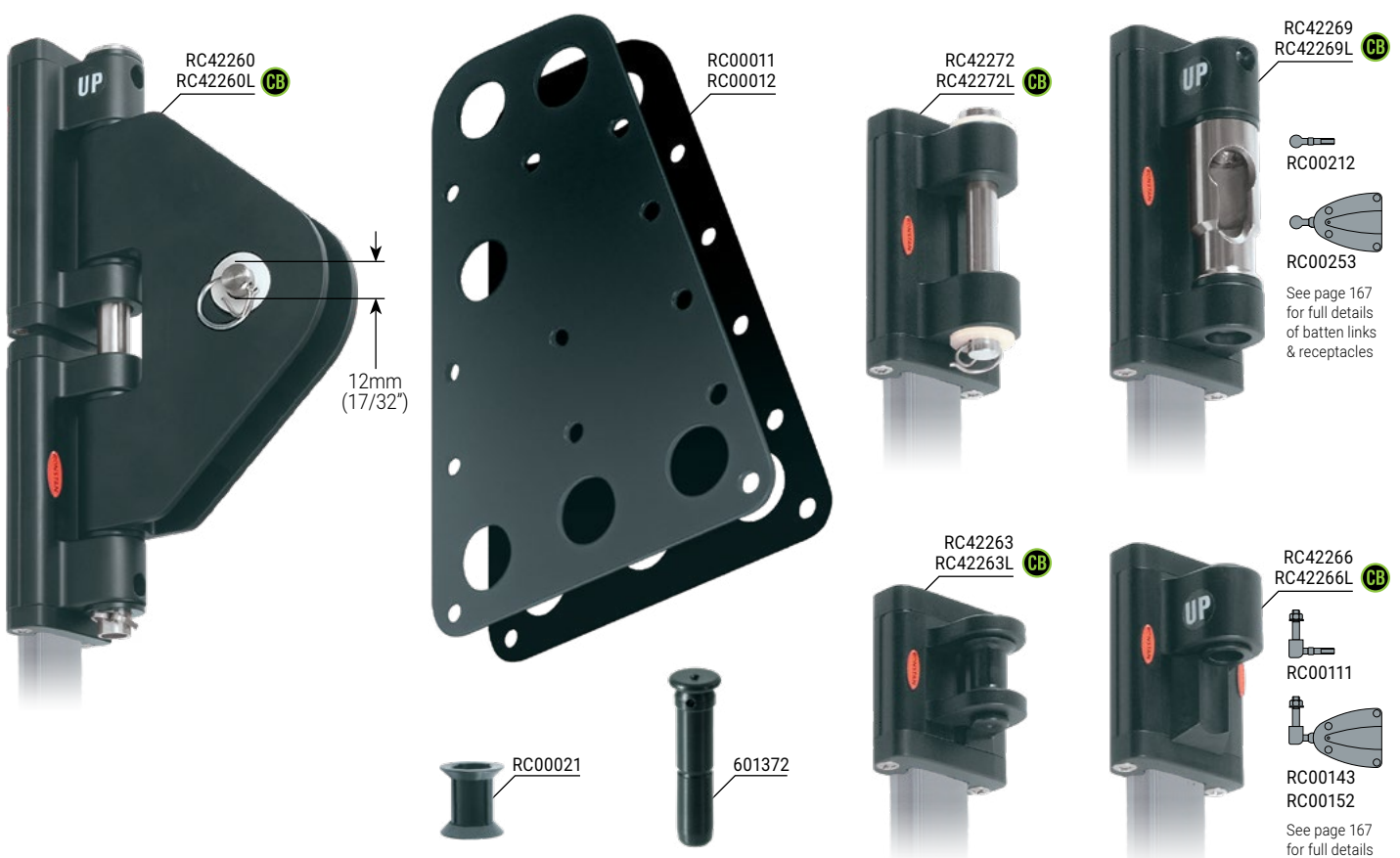


Monohulls to 18m (60ft)  
 or sail area 58m<sup>2</sup> (624ft<sup>2</sup>).

Multihulls to 12m (40ft)  
 or sail area 46m<sup>2</sup> (495ft<sup>2</sup>).

PRODUCT No.	DESCRIPTION	A	B	C	D	E	WEIGHT	A	B	C	D	E	WEIGHT
		mm	mm	mm	mm	mm	g	in	in	in	in	in	oz
<b>Series 22 BB</b>													
RC00010	Headboard plates (pair)	188	119	23	-	-	173	7 13/32	4 11/16	29/32	-	-	6.1
RC12260	Headboard car	206	33	78	17	57.5	584	8 1/8	1 5/16	3 1/16	2 1/32	2 1/4	20.6
RC12263	Intermediate car	64	33	45	18	57.5	110	2 17/32	1 5/16	1 25/32	23/32	2 1/4	3.9
RC12266	Batten car	77	33	45	-	57.5	155	3 1/32	1 5/16	1 25/32	-	2 1/4	5.5
RC12269	Quick release batten car	120	33	45	-	57.5	360	4 23/32	1 5/16	1 25/32	-	2 1/4	12.7
RC12272	Reef car, pin diam. Ø9.9mm (13/32")	130	33	45	32	57.5	350	5 1/8	1 5/16	1 25/32	1 1/4	2 1/4	12.3
<b>Spare Parts</b>													
501001	Ball bearing, Torlon®, 6.35mm (1/4") diameter	-	-	-	-	-	1	-	-	-	-	-	0.1
601372	Replacement pin for RC12263	-	-	-	-	-	5	-	-	-	-	-	0.2
RC00021	Replacement bush for RC12263	-	-	-	-	-	1	-	-	-	-	-	0.1

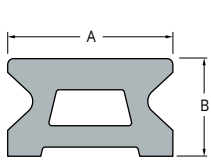
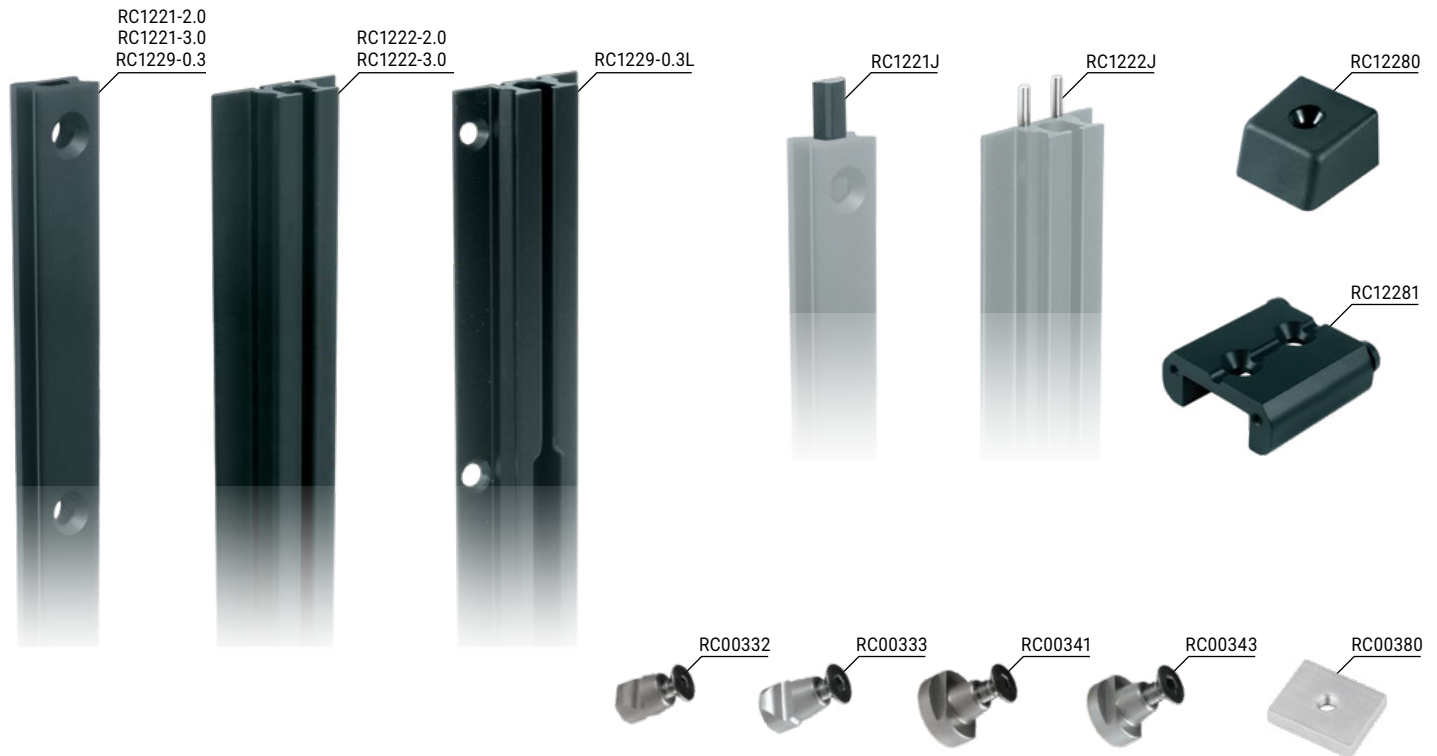
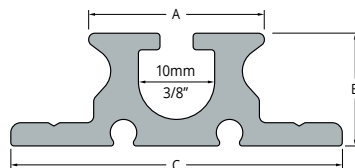
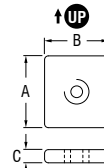
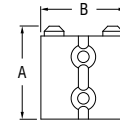
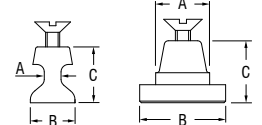
See page 167  
 for full details  
 of batten links  
 & receptacles



Monohulls to 18m (60ft) or sail area 70m<sup>2</sup> (753ft<sup>2</sup>).  
 Multihulls to 13m (43ft) or sail area 57m<sup>2</sup> (614ft<sup>2</sup>).

PRODUCT No.	DESCRIPTION	A	B	C	D	E	WEIGHT	A	B	C	D	E	WEIGHT
		mm	mm	mm	mm	mm	g	in	in	in	in	in	oz
<b>Series 22 CB Cars for Standard Track</b>													
RC42260	Headboard car	235	34	95	17	47	814	9 1/4	1 11/32	3 3/4	21/32	1 7/8	28.7
RC42263	Intermediate car	54	34	46	18	47	102	2 1/8	1 11/32	1 25/32	23/32	1 7/8	3.6
RC42266	Batten car	72	34	46	-	47	142	2 27/32	1 11/32	1 25/32	-	1 7/8	5.0
RC42269	Quick release batten car	116	34	46	-	47	336	4 9/16	1 11/32	1 25/32	-	1 7/8	11.8
RC42272	Reef car, pin diam. Ø9.9mm (13/32")	86	34	46	32	47	224	3 13/32	1 11/32	1 25/32	1 1/4	1 7/8	7.9
<b>Series 22 CB Cars for Luff Groove Track</b>													
RC42260L	Headboard car	235	34	95	17	47	814	9 1/4	1 11/32	3 3/4	21/32	1 7/8	28.7
RC42263L	Intermediate car	54	34	46	18	47	102	2 1/8	1 11/32	1 25/32	23/32	1 7/8	3.6
RC42266L	Batten car	72	34	46	-	47	142	2 27/32	1 11/32	1 25/32	-	1 7/8	5.0
RC42269L	Quick release batten car	116	34	46	-	47	334	4 9/16	1 11/32	1 25/32	-	1 7/8	11.8
RC42272L	Reef car, pin diam. Ø9.9mm (13/32")	86	34	46	32	47	224	3 13/32	1 11/32	1 25/32	1 1/4	1 7/8	7.9

<b>Spare Parts &amp; Accessories</b>													
601372	Replacement pin for RC42263	-	-	-	-	-	5	-	-	-	-	-	0.2
RC00011	Headboard plates (pair)	280	175	28	-	-	540	11 1/32	6 29/32	1 3/32	-	-	19.0
RC00012	Headboard plates (pair)	280	175	23	-	-	540	11 1/32	6 29/32	29/32	-	-	19.0
RC00021	Replacement bush for RC42263	-	-	-	-	-	1	-	-	-	-	-	0.1


**RC1221**  
TRACK PROFILE

**RC1222**  
TRACK PROFILE

**RC00380**  
FIXING PLATE\*<sup>3</sup>

**RC12281**  
END STOP

 TRACK  
MOUNTING SLUGS

Refer to page 144 and the SUPPORT tab at [www.ronstan.com](http://www.ronstan.com) for full track mounting slug details, system schematics and installation information.

**TRACK FASTENINGS** – M6 (1/4") countersunk head fasteners at 100mm (3 15/16") centres.

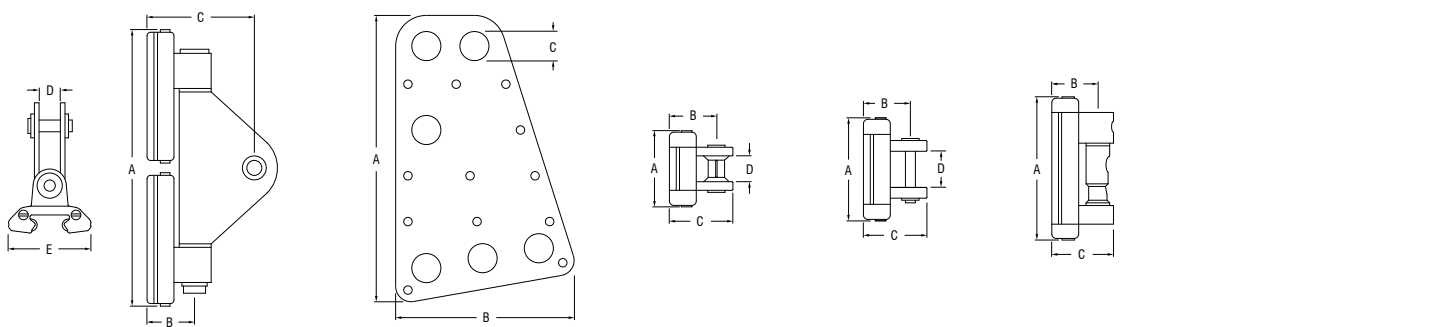
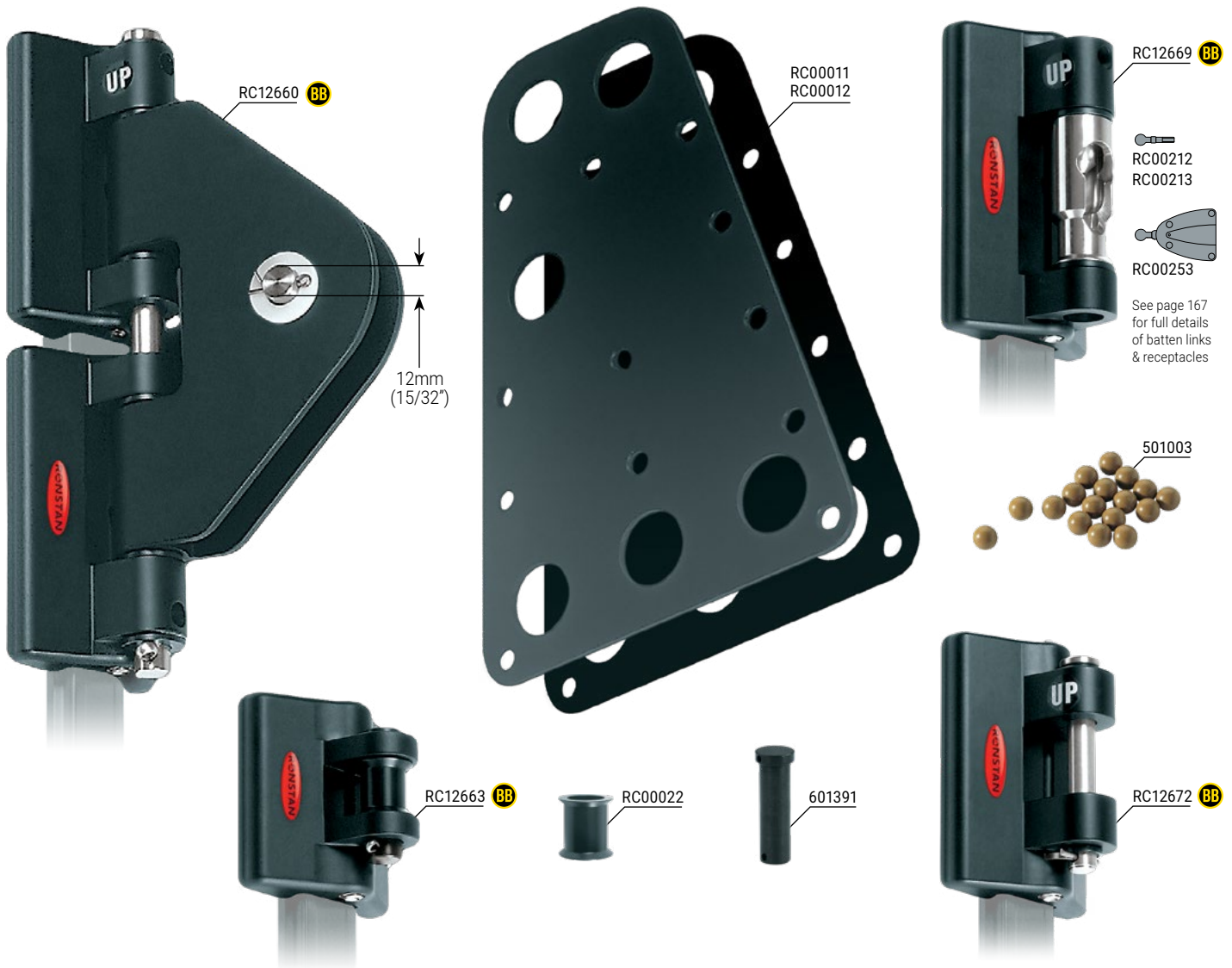
PRODUCT No.	DESCRIPTION	A	B	C	WEIGHT	A	B	C	WEIGHT
		mm	mm	mm	g	in	in	in	oz
<b>Series 22</b>									
RC00332	Track mounting slug, including M6 screw	3.5	8.3	16.1	5	1/8	5/16	5/8	0.2
RC00333	Track mounting slug, including M6 screw	4.6	13.0	18.0	6	3/16	1/2	23/32	0.2
RC00341	Track mounting slug, including M6 screw	13.6	21.0	15.5	11	17/32	27/32	5/8	0.4
RC00343	Track mounting slug, including M6 screw	11.8	19.8	15.5	10	15/32	25/32	5/8	0.4
RC00380	Track fixing plate, suits Series 22 & 26, M6 thread	25.0	20.0	5.0	6	1	3/4	3/16	0.2
RC1221-2.0* <sup>1</sup>	Track, 2025 mm (79 25/32") long, black. Requires 21 track mounting slugs	22.0	13.0	-	956	7/8	1/2	-	33.7
RC1221-3.0* <sup>1&amp;2</sup>	Track, 3025mm (119 3/16") long, black. Requires 31 track mounting slugs	22.0	13.0	-	1453	7/8	1/2	-	51.2
RC1221J	Track joiner, acetal	-	-	-	4	-	-	-	0.1
RC1222-2.0* <sup>1</sup>	Luff groove track, 2025mm (79 25/32") long, black	22.0	15.0	44.0	1185	7/8	19/32	1 23/32	41.8
RC1222-3.0* <sup>1&amp;2</sup>	Luff groove track, 3025mm (119 3/16") long, black	22.0	15.0	44.0	1770	7/8	19/32	1 23/32	62.4
RC1222J	Luff groove track joiner (pair)	-	-	-	2	-	-	-	0.1
RC1229-0.3* <sup>1</sup>	Gate track, 325mm (12 13/16") long, black. Requires 4 track mounting slugs	22.0	13.0	-	156	7/8	1/2	-	5.5
RC1229-0.3L* <sup>1</sup>	Luff groove gate track, 325mm (12 13/16") long, black	22.0	15.0	44.0	190	7/8	19/32	1 23/32	6.7
RC12280	End cap, plastic, L30mm x W26mm (1 3/16" x 1 1/32")	-	-	-	7	-	-	-	0.2
RC12281* <sup>1</sup>	End stop, alloy	50.0	45.0	-	50	1 31/32	1 25/32	-	1.8

\*1 Silver track available - Order as RCxxxxxxS

\*2 Longer track available on request.

\*3 For correct alignment of fasteners, position track fixing plates with long sides parallel with mast groove

**SERIES 26 BB**



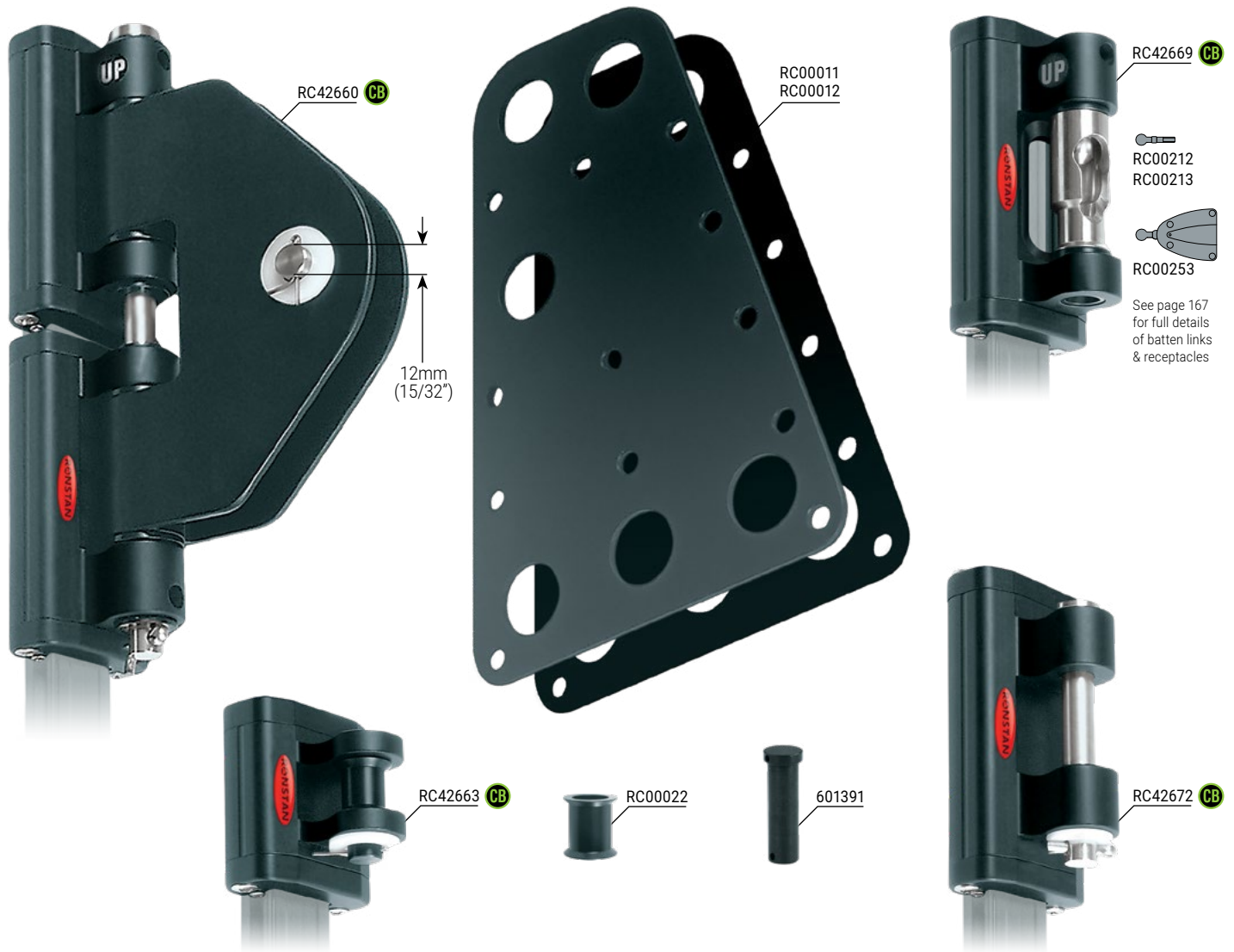
Monohulls to 20m (65ft) or sail area 85m<sup>2</sup> (915ft<sup>2</sup>).  
 Multihulls to 14m (46ft) or sail area 65m<sup>2</sup> (700ft<sup>2</sup>).

PRODUCT No.	DESCRIPTION	A	B	C	D	E	WEIGHT	A	B	C	D	E	WEIGHT
		mm	mm	mm	mm	mm	g	in	in	in	in	in	oz
<b>Series 26 BB</b>													
RC00011	Headboard plates (pair)	280	175	28	-	-	540	11 1/32	6 29/32	1 3/32	-	-	19.0
RC00012	Headboard plates (pair)	280	175	23	-	-	540	11 1/32	6 29/32	29/32	-	-	19.0
RC12660	Headboard car	225	36	99	16	69	977	8 7/8	1 13/32	3 29/32	5/8	2 23/32	34.5
RC12663	Intermediate car	70	36	48	18	69	167	2 3/4	1 13/32	1 29/32	23/32	2 23/32	5.9
RC12669	Quick release batten car	110	36	48	-	69	385	4 5/16	1 13/32	1 29/32	-	2 23/32	13.6
RC12672	Reef car, pin diam. Ø9.9mm (13/32")	90	36	48	28	69	285	3 17/32	1 13/32	1 29/32	1 3/32	2 23/32	10.1

**Spare Parts**

501003	Ball bearing, Torlon®, 7.95mm (5/16") diameter	-	-	-	-	-	1	-	-	-	-	-	0.1
601391	Replacement pin for RC12663	-	-	-	-	-	7	-	-	-	-	-	0.2
RC00022	Replacement bush for RC12663	-	-	-	-	-	1	-	-	-	-	-	0.1




 RC42669 **CB**

 RC00212  
RC00213

RC00253

 See page 167  
for full details  
of batten links  
& receptacles

 12mm  
(15/32")

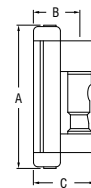
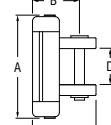
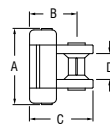
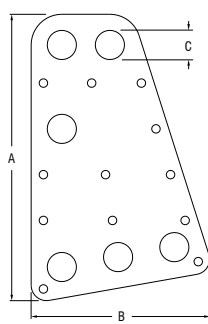
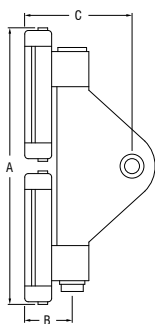
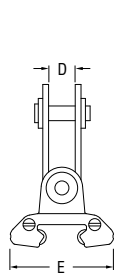
 RC00011  
RC00012

 RC42660 **CB**

 RC42663 **CB**

RC00022

601391

 RC42672 **CB**


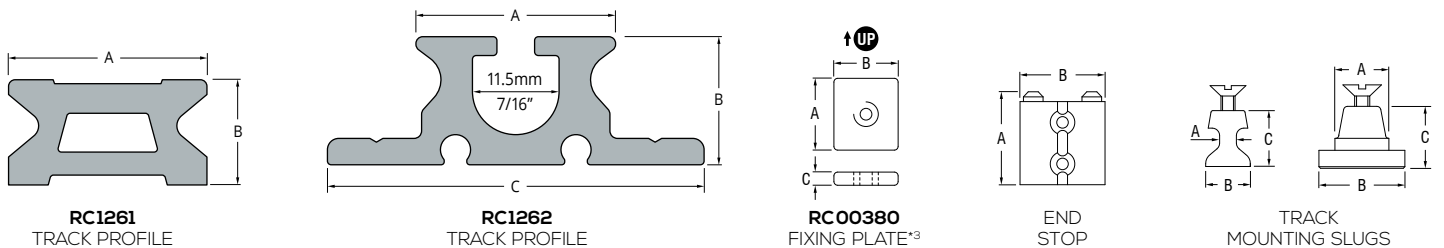
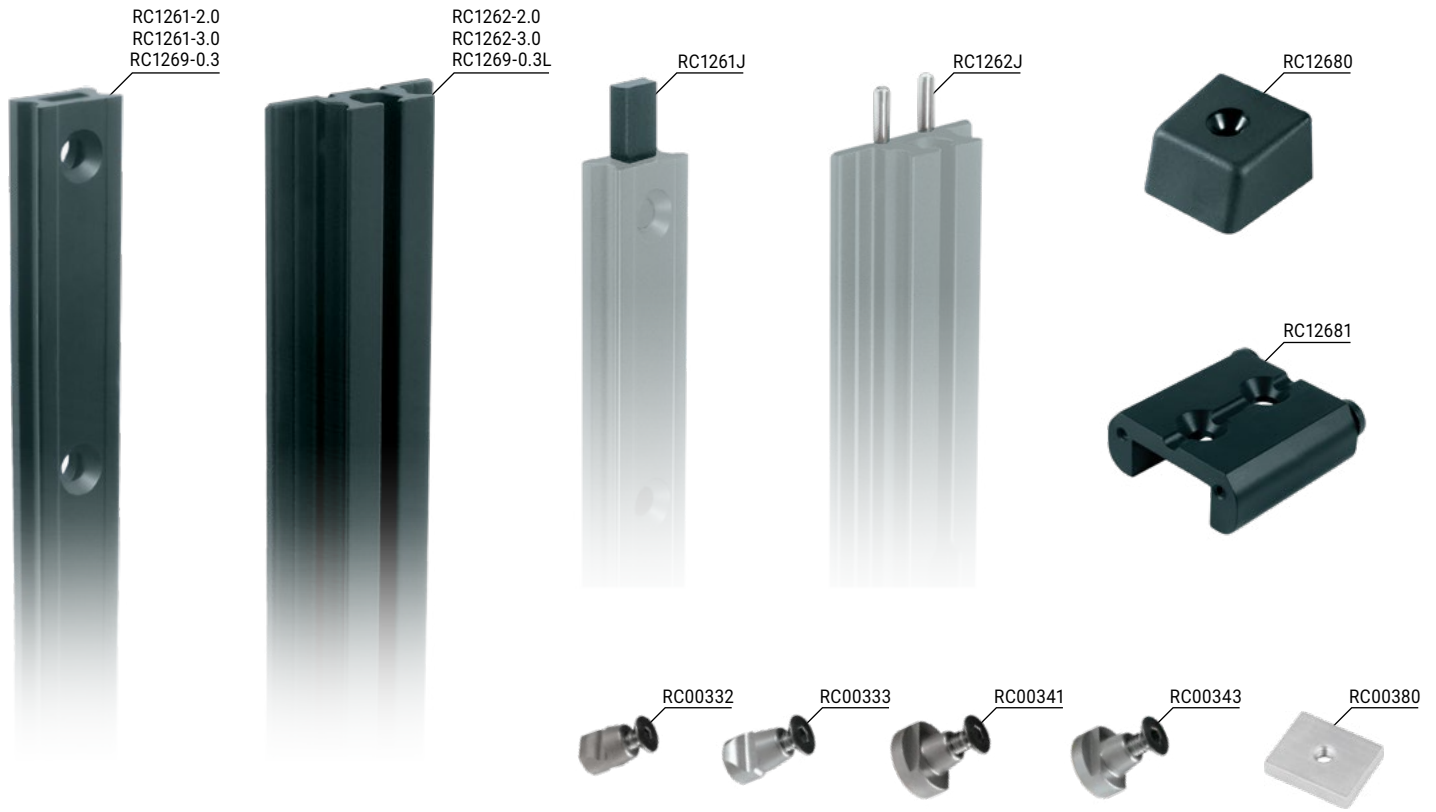
Monohulls to 22m (72ft)  
or sail area 105m<sup>2</sup> (1130ft<sup>2</sup>).

Multihulls to 16m (53ft)  
or sail area 83m<sup>2</sup> (893ft<sup>2</sup>).

Suits series 26 track (standard  
and luff groove type tracks).

PRODUCT No.	DESCRIPTION	A	B	C	D	E	WEIGHT	A	B	C	D	E	WEIGHT
		mm	mm	mm	mm	mm	g	in	in	in	in	in	oz
<b>Series 26 <b>CB</b></b>													
RC00011	Headboard plates (pair)	280	175	28	-	-	540	11 1/32	6 29/32	1 3/32	-	-	19.0
RC00012	Headboard plates (pair)	280	175	23	-	-	540	11 1/32	6 29/32	29/32	-	-	19.0
RC42660	Headboard car	236	37	96	17	52	971	9 5/16	1 7/16	3 25/32	1 1/16	2 1/16	34.3
RC42663	Intermediate car	64	37	49	19	52	132	2 1/2	1 7/16	1 15/16	3/4	2 1/16	4.7
RC42669	Quick release batten car	115	37	49	-	52	352	4 11/16	1 7/16	1 15/16	-	2 1/16	12.4
RC42672	Reef car, pin diam. Ø11.8mm (15/32")	90	37	49	28	52	270	3 9/16	1 7/16	1 15/16	1 1/8	2 1/16	9.5
<b>Spare Parts</b>													
601391	Replacement pin for RC42663	-	-	-	-	-	7	-	-	-	-	-	0.2
RC00022	Replacement bush for RC42663	-	-	-	-	-	1	-	-	-	-	-	0.1

# SERIES 26 TRACK

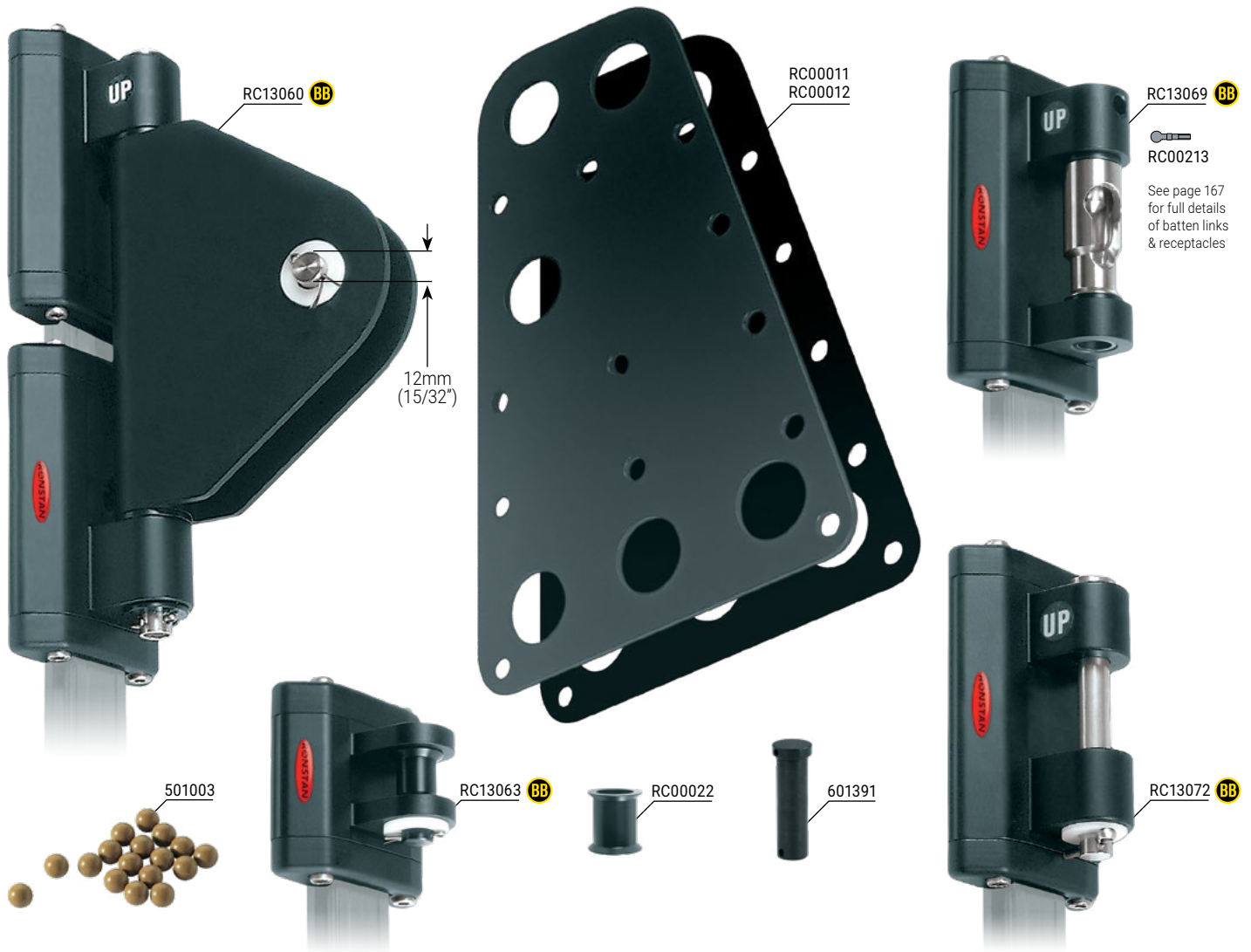


Refer to page 144 and the SUPPORT tab at [www.ronstan.com](http://www.ronstan.com) for full track mounting slug details, system schematics and installation information.

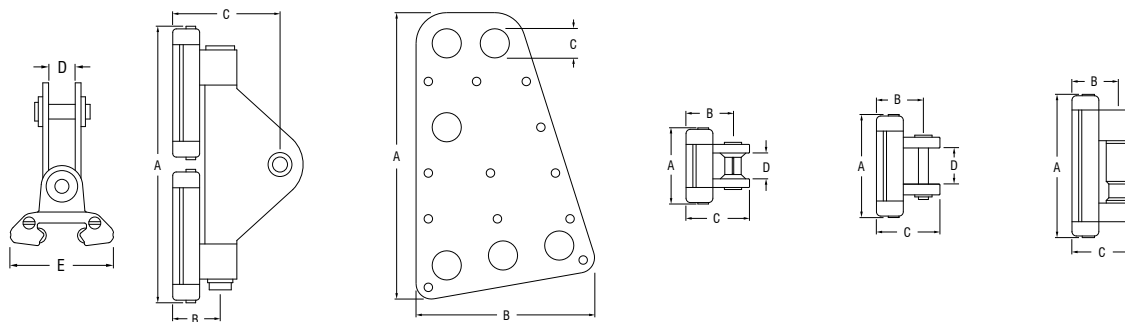
**TRACK FASTENINGS** – M6 (1/4") countersunk head fasteners at 75mm (2 15/16") centres.

PRODUCT No.	DESCRIPTION	A	B	C	WEIGHT	A	B	C	WEIGHT
		mm	mm	mm	g	in	in	in	oz
<b>Series 26</b>									
RC00332	Track mounting slug, including M6 screw	3.5	8.3	16.1	5	1/8	5/16	5/8	0.2
RC00333	Track mounting slug, including M6 screw	4.6	13.0	18.0	6	3/16	1/2	23/32	0.2
RC00341	Track mounting slug, including M6 screw	13.6	21.0	15.5	11	17/32	27/32	5/8	0.4
RC00343	Track mounting slug, including M6 screw	11.8	19.8	15.5	10	15/32	25/32	5/8	0.4
RC00380	Track fixing plate, suits Series 22 & 26, M6 thread	25.0	20.0	5.0	6	1	3/4	3/16	0.2
RC1261-2.0*1	Track, 2025 mm (79 25/32") long, black. Requires 27 track mounting slugs	26.4	13.5	-	1190	1 1/32	17/32	-	42.0
RC1261-3.0*1&2	Track, 3025 mm (119 3/16") long, black. Requires 41 track mounting slugs	26.4	13.5	-	1780	1 1/32	17/32	-	62.8
RC1261J	Track joiner, acetal	-	-	-	5	-	-	-	0.2
RC1262-2.0*1	Luff groove track, 2025 mm (79 25/32") long, black	26.4	17.0	50.0	1825	1 1/32	21/32	1 31/32	64.4
RC1262-3.0*1&2	Luff groove track, 3025 mm (119 3/16") long, black	26.4	17.0	50.0	2725	1 1/32	21/32	1 31/32	96.1
RC1262J	Luff groove track joiner (pair)	-	-	-	4	-	-	-	0.1
RC12680	End cap, plastic, L34mm x W32mm (1 5/16" x 1 1/4")	-	-	-	7	-	-	-	0.2
RC12681	End stop, alloy	55.0	45.0	-	73	2 5/32	1 25/32	-	2.6
RC1269-0.3*1	Gate track, 325mm (12 13/16") long, black. Requires 4 track mounting slugs	26.4	13.5	-	196	1 1/32	17/32	-	6.9
RC1269-0.3L*1	Luff groove gate track, 325mm (12 13/16") long, black	26.4	17.0	50.0	290	1 1/32	21/32	1 31/32	10.2

\*1 Silver track available - Order as RCxxxxxxxS  
 \*2 Longer track available on request.  
 \*3 For correct alignment of fasteners, position track fixing plates with long sides parallel with mast groove



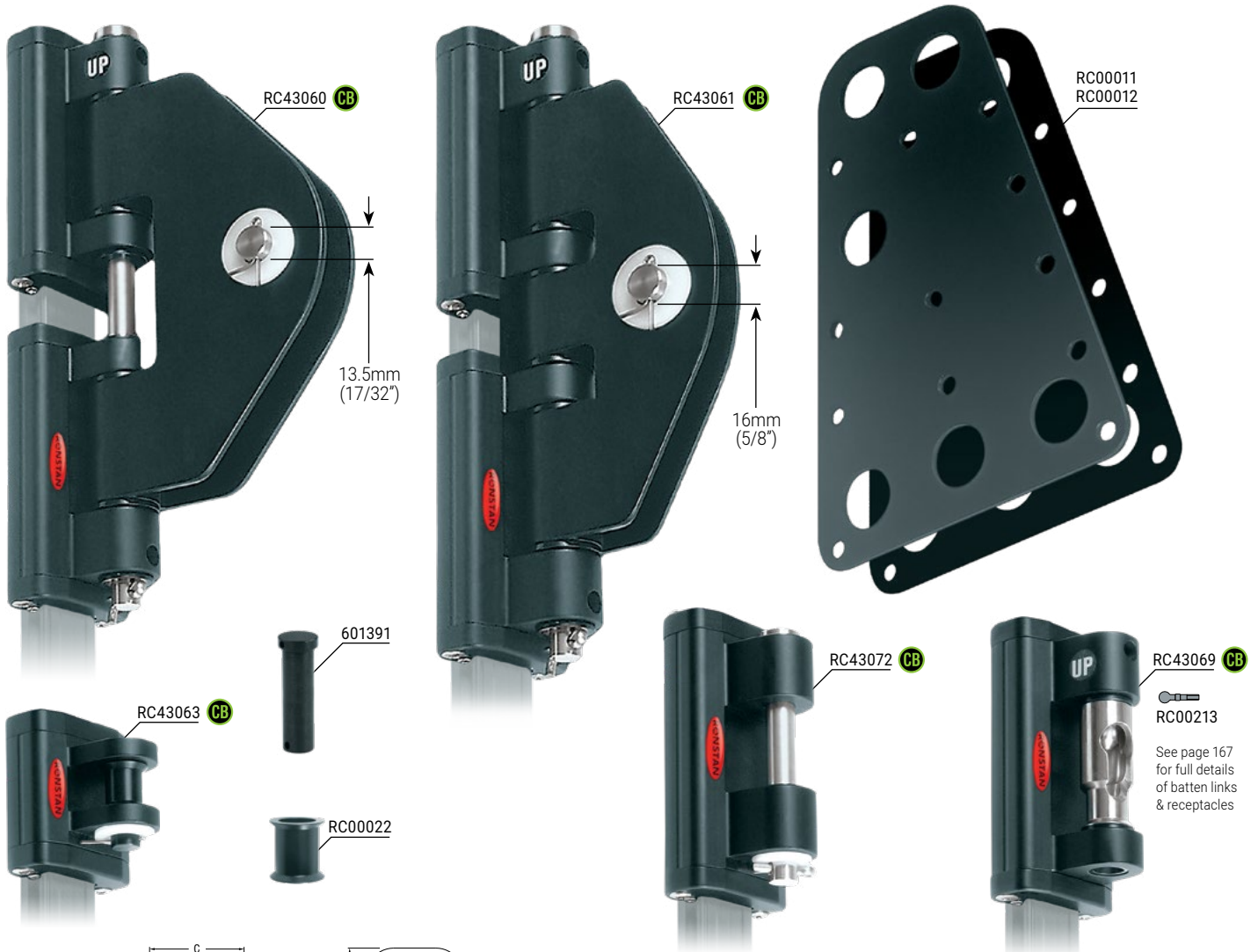
See page 167  
for full details  
of batten links  
& receptacles



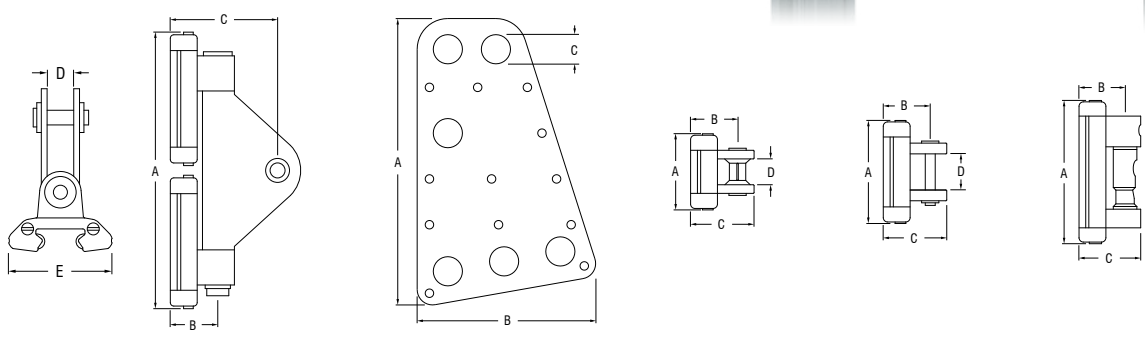
⬆ Monohulls to 23m (75ft)  
or sail area 120m<sup>2</sup> (1292ft<sup>2</sup>).

⬆ Multihulls to 17m (56ft)  
or sail area 93m<sup>2</sup> (1001ft<sup>2</sup>).

PRODUCT No.	DESCRIPTION	A	B	C	D	E	WEIGHT	A	B	C	D	E	WEIGHT
		mm	mm	mm	mm	mm	g	in	in	in	in	in	oz
<b>Series 30 BB</b>													
RC00011	Headboard plates (pair)	280	175	28	-	-	540	11 1/32	6 29/32	1 3/32	-	-	19.0
RC00012	Headboard plates (pair)	280	175	23	-	-	540	11 1/32	6 29/32	29/32	-	-	19.0
RC13060	Headboard car	255	43	120	20	76.4	1245	10 1/16	1 11/16	4 23/32	25/32	3	43.9
RC13063	Intermediate car	78	43	56	19	76.4	230	3 1/16	1 11/16	2 7/32	3/4	3	8.1
RC13069	Quick release batten car	129	43	56	-	76.4	555	5 3/32	1 11/16	2 7/32	-	3	19.6
RC13072	Reef car, pin diam. Ø11.8mm (15/32")	130	43	56	37	76.4	534	5 1/8	1 11/16	2 7/32	15/32	3	18.8
<b>Spare Parts</b>													
501003	Ball bearing, Torlon®, 7.95mm (5/16") diameter	-	-	-	-	-	1	-	-	-	-	-	0.1
601391	Replacement pin for RC13063	-	-	-	-	-	7	-	-	-	-	-	0.2
RC00022	Replacement bush for RC13063	-	-	-	-	-	1	-	-	-	-	-	0.1

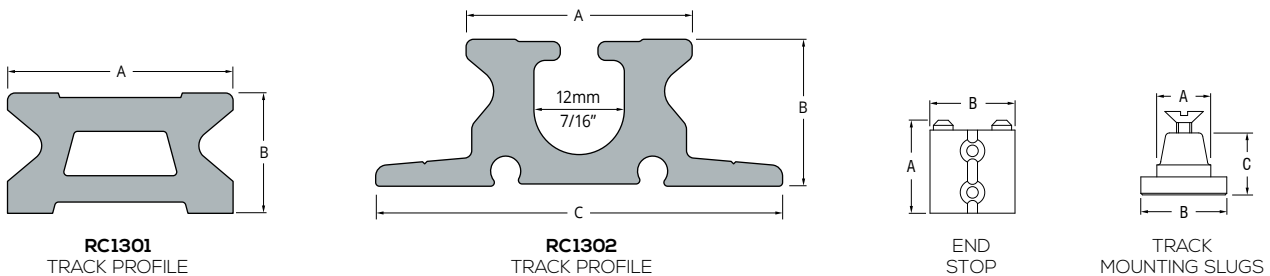
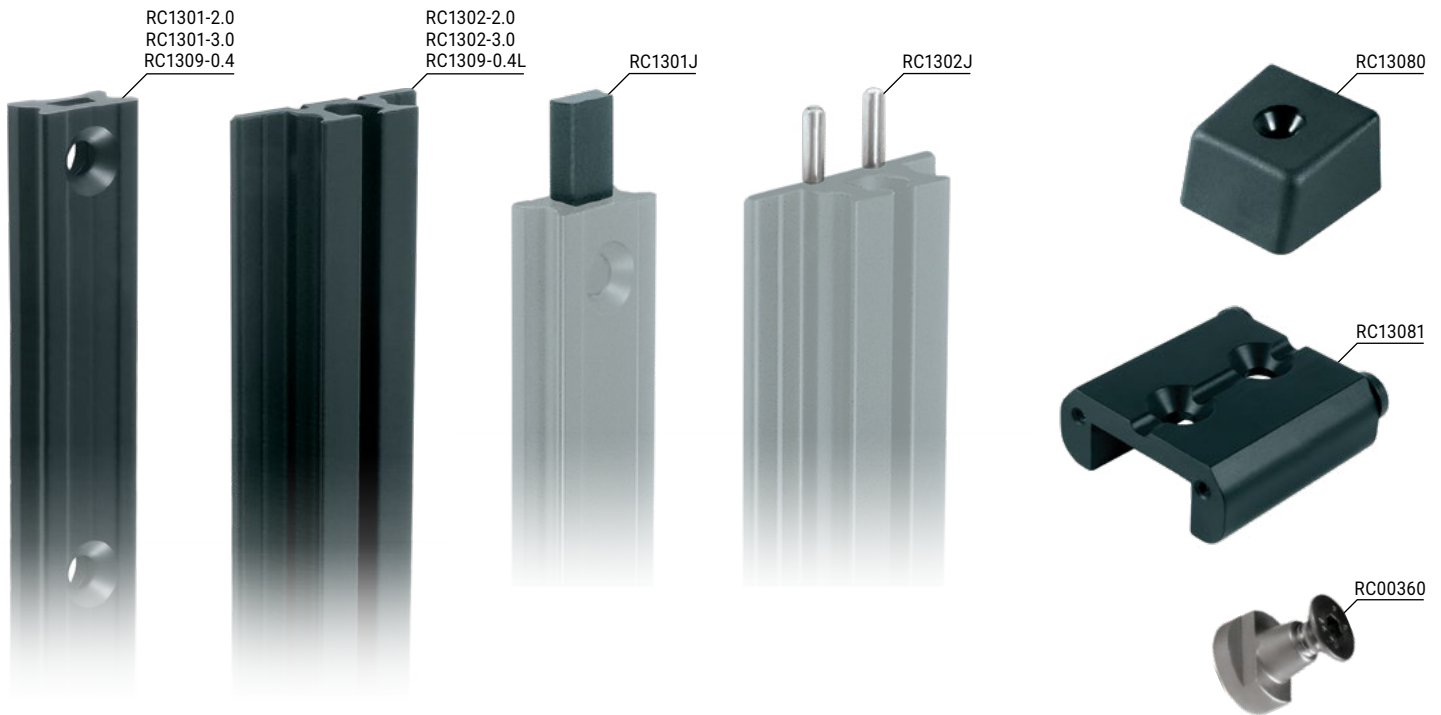


See page 167 for full details of batten links & receptacles



- ⬆ Long cars: Monohulls to 25m (82ft) or sail area 140m<sup>2</sup> (1507ft<sup>2</sup>).
- ⬆ Long cars: Multihulls to 18m (60ft) or sail area 105m<sup>2</sup> (1130ft<sup>2</sup>).
- ⬆ Short cars: Monohulls to 23m (75ft) or sail area 120m<sup>2</sup> (1292ft<sup>2</sup>).
- ⬆ Short cars: Multihulls to 17m (56ft) or sail area 93m<sup>2</sup> (1001ft<sup>2</sup>).

PRODUCT No.	DESCRIPTION	A	B	C	D	E	WEIGHT	A	B	C	D	E	WEIGHT
		mm	mm	mm	mm	mm	g	in	in	in	in	in	oz
<b>Series 30 CB</b>													
RC00011	Headboard plates (pair)	280	175	28	-	-	540	11 1/32	6 29/32	1 3/32	-	-	19.0
RC00012	Headboard plates (pair)	280	175	23	-	-	540	11 1/32	6 29/32	29/32	-	-	19.0
RC43060	Headboard car	255	43	120	20	58	1405	10 1/16	1 11/16	4 23/32	25/32	2 9/32	49.6
RC43061	Headboard car	337	43	120	20	58	1900	13 9/32	1 11/16	4 23/32	25/32	2 9/32	67.0
RC43063	Intermediate car	69	43	56	19	58	255	2 23/32	1 11/16	2 7/32	3/4	2 9/32	9.0
RC43069	Quick release batten car	119	43	56	-	58	525	4 11/16	1 11/16	2 7/32	-	2 9/32	18.5
RC43072	Reef car, pin diam. Ø11.8mm (15/32")	119	43	56	37	58	545	4 11/16	1 11/16	2 7/32	1 15/32	2 9/32	19.2
<b>Spare Parts</b>													
601391	Replacement pin for RC43063	-	-	-	-	-	7	-	-	-	-	-	0.2
RC00022	Replacement bush for RC43063	-	-	-	-	-	1	-	-	-	-	-	0.1



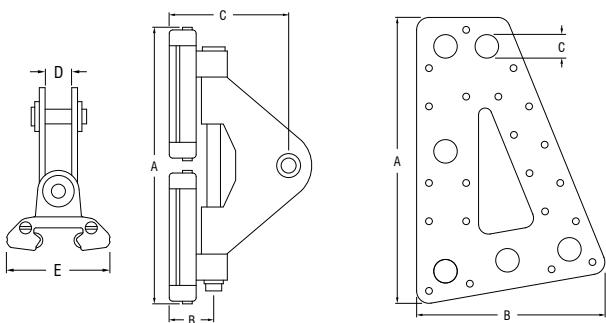
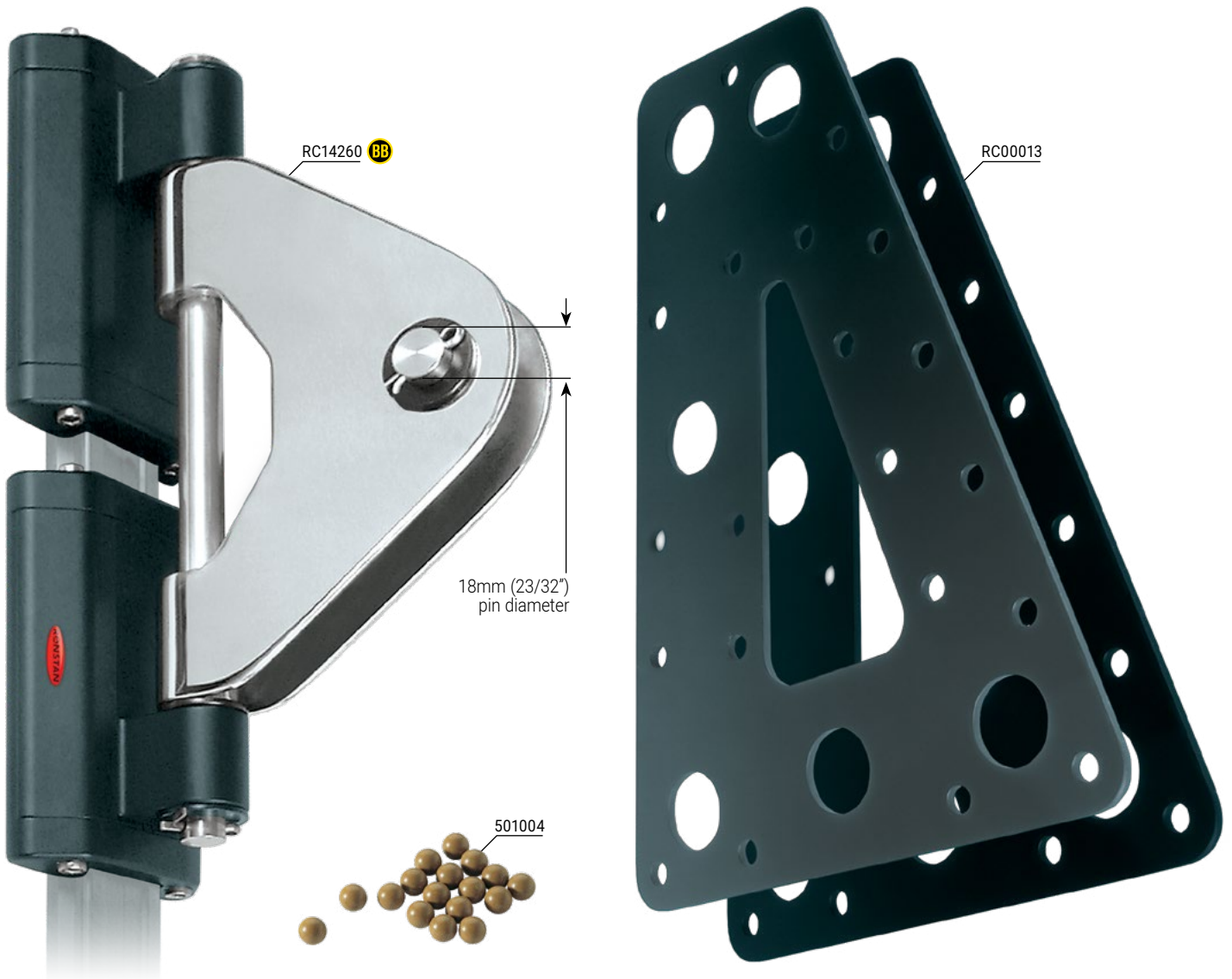
☑ Refer to page 144 and the SUPPORT tab at [www.ronstan.com](http://www.ronstan.com) for full track mounting slug details, system schematics and installation information.

**TRACK FASTENINGS** – M8 (5/16") countersunk head fasteners at 100mm (3 15/16") centres.

PRODUCT No.	DESCRIPTION	A	B	C	WEIGHT	A	B	C	WEIGHT
		mm	mm	mm	g	in	in	in	oz
<b>Series 30</b>									
RC00360	Track mounting slug, including M8 screw	12.6	22.9	18	17	1/2	29/32	23/32	0.6
RC1301-2.0*1	Track, 2025mm (79 25/32") long, black. Requires 21 track mounting slugs	30.0	16.0	-	1689	1 3/16	5/8	-	59.6
RC1301-3.0*1&2	Track, 3025mm (119 3/16") long, black. Requires 31 track mounting slugs	30.0	16.0	-	2530	1 3/16	5/8	-	89.2
RC1301J	Track joiner, acetal	-	-	-	7	-	-	-	0.2
RC1302-2.0*1	Luff groove track, 2025mm (79 25/32") long, black	30.0	19.5	54	2534	1 3/16	25/32	2 1/8	89.4
RC1302-3.0*1&2	Luff groove track, 3025mm (119 3/16") long, black	30.0	19.5	54	3795	1 3/16	25/32	2 1/8	133.9
RC1302J	Luff groove track joiner (pair)	-	-	-	5	-	-	-	0.2
RC13080	End cap, plastic, L37mm x W37mm (1 7/16" x 1 7/16")	-	-	-	27	-	-	-	1.0
RC13081	End stop, alloy	58.0	55.0	-	89	2 9/32	2 3/16	-	3.1
RC1309-0.4*1	Gate track, 400mm (15 3/4") long, black. Requires 4 track mounting slugs	30.0	16.0	-	341	1 3/16	5/8	-	12.1
RC1309-0.4L*1	Luff groove gate track, 400mm (15 3/4") long, black	30.0	19.5	54	512	1 3/16	25/32	2 1/8	18.1

\*1 Silver track available - Order as RCxxxxxxS

\*2 Longer track available on request.

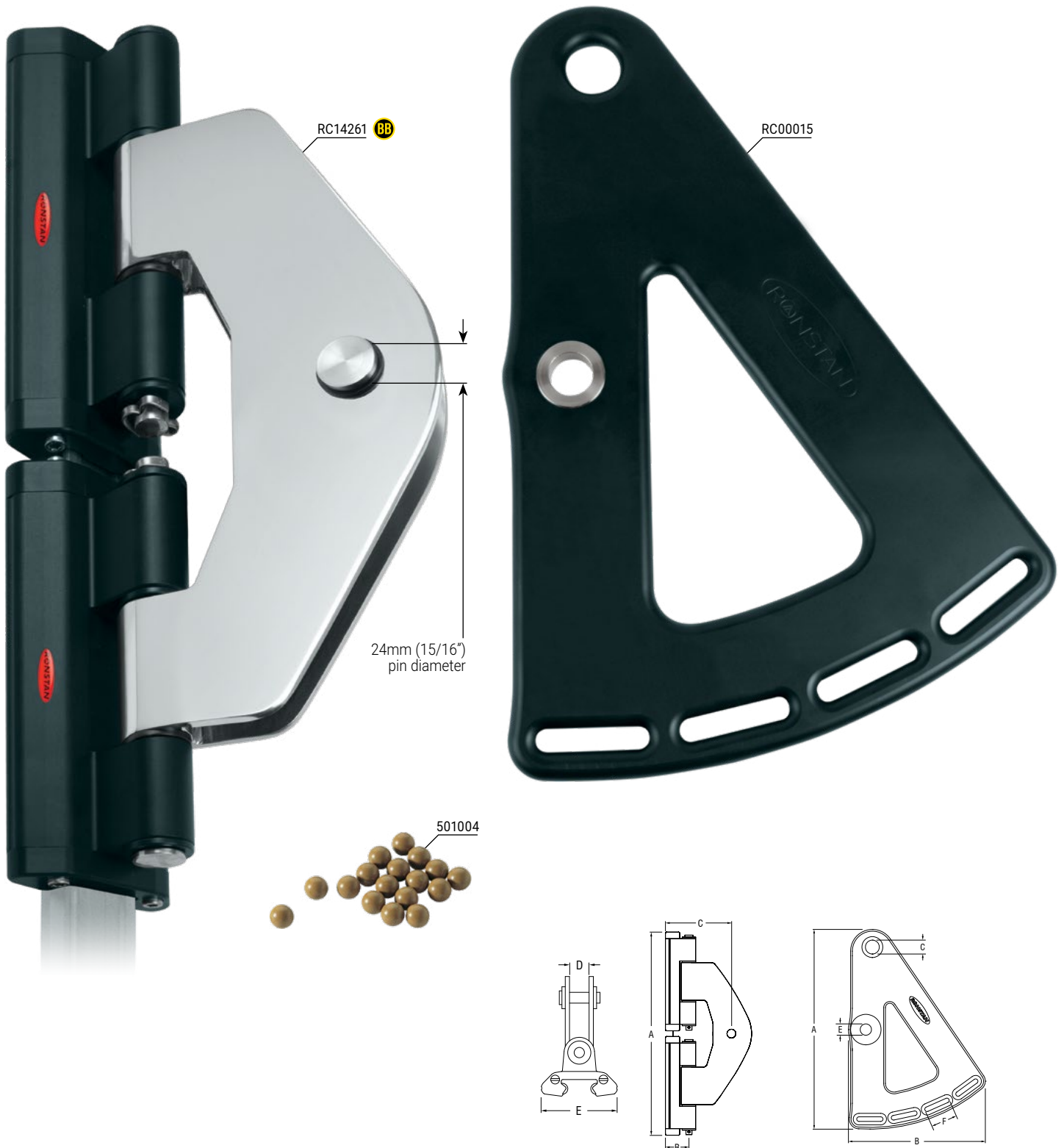


✔ Custom headboard cars, headboards and batten cars can be designed and manufactured to suit more demanding applications or individual requirements.

⬆ Monohulls to 29m (95ft) or sail area 168m<sup>2</sup> (1808ft<sup>2</sup>).

⬆ Multihulls to 22m (72ft) or sail area 125m<sup>2</sup> (1345ft<sup>2</sup>).

PRODUCT No.	DESCRIPTION	A	B	C	D	E	WEIGHT	A	B	C	D	E	WEIGHT
		mm	mm	mm	mm	mm	g	in	in	in	in	in	oz
<b>Series 42 <b>BB</b></b>													
RC00013	Headboard plates (pair)	346	227	28	-	-	971	13 5/8	8 15/16	1 3/32	-	-	34.2
RC14260	Headboard car	335	56	152	27	96	3100	13 3/16	2 7/32	6	1 1/16	3 25/32	109.3
<b>Spare Parts</b>													
501004	Ball bearing, Torlon®, 9.53mm (3/8") diameter	-	-	-	-	-	1	-	-	-	-	-	0.1



✔ Custom headboard cars, headboards and batten cars can be designed and manufactured to suit more demanding applications or individual requirements.

⬆ Monohulls to 34m (112ft) or sail area 310m<sup>2</sup> (3340ft<sup>2</sup>).

⬆ Multihulls to 26m (85ft) or sail area 230m<sup>2</sup> (2450ft<sup>2</sup>).

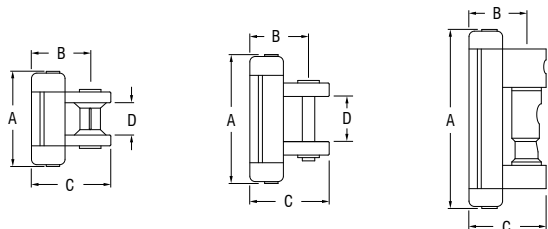
PRODUCT No.	DESCRIPTION	A	B	C	D	E	F	WEIGHT	A	B	C	D	E	F	WEIGHT
		mm	mm	mm	mm	mm	mm	g	in	in	in	in	in	in	oz
<b>Series 42 BB</b>															
RC00015	Headboard plate	458	313	32	-	24	50	3250	18	12 5/16	1 1/4	-	15/16	2	115
RC14261	Headboard car	438	56	150	23	96	-	5500	17 1/4	2 7/32	6	29/32	3 25/32	-	194
<b>Spare Parts</b>															
501004	Ball bearing, Torlon®, 9.53mm (3/8") diameter	-	-	-	-	-	-	1	-	-	-	-	-	-	0.1



© Armare s.a.s



See page 167  
for full details  
of batten links  
& receptacles

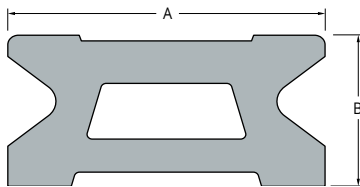
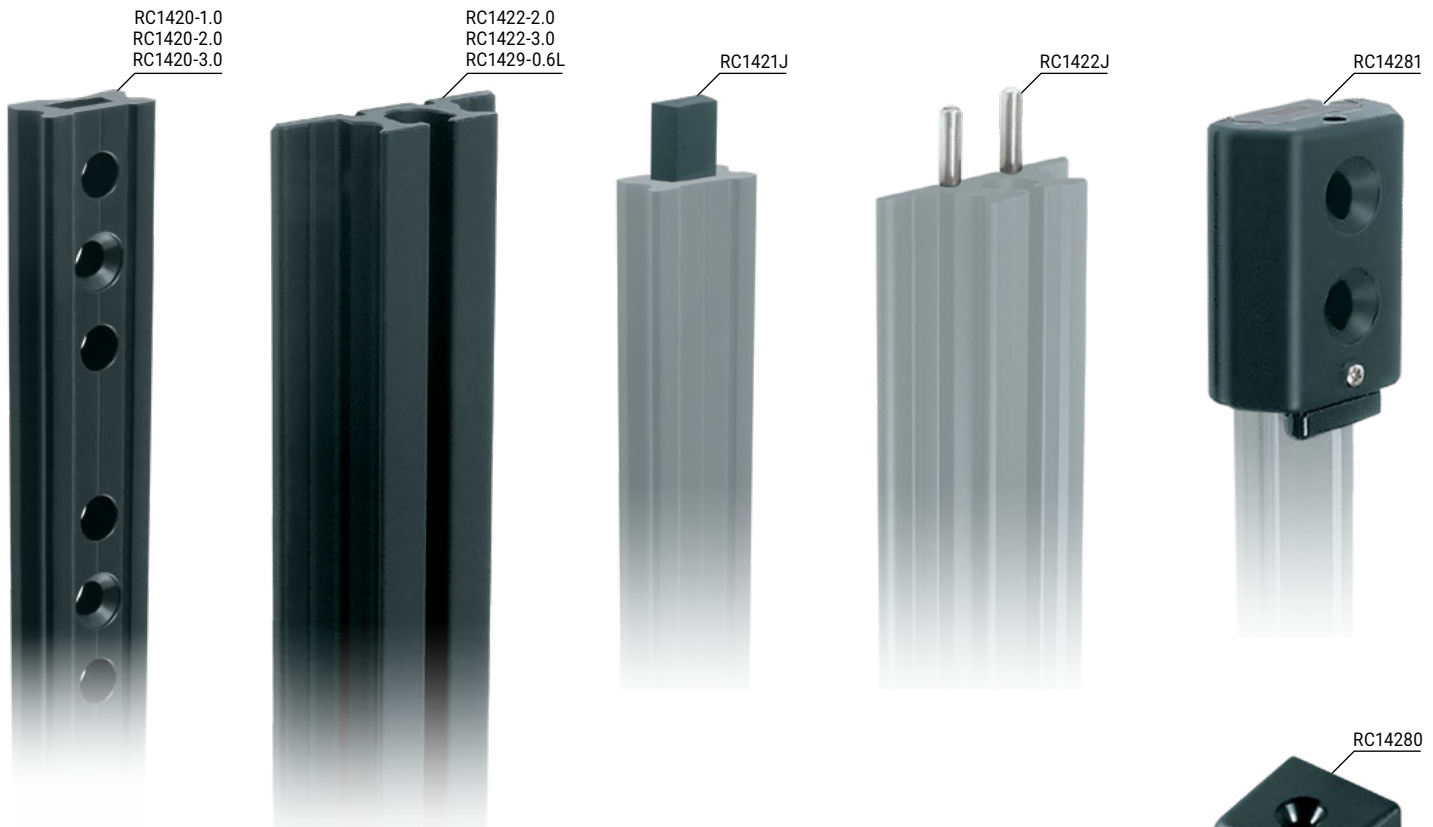


⚠ Monohulls to 29m (95ft)  
or sail area 168m<sup>2</sup> (1808ft<sup>2</sup>).

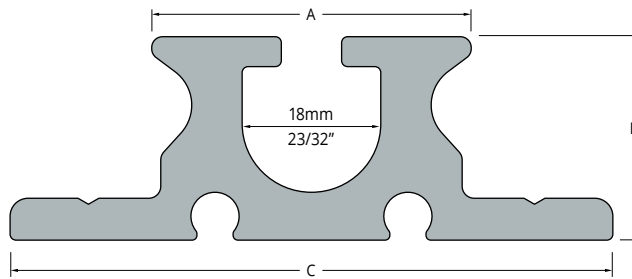
⚠ Multihulls to 22m (72ft)  
or sail area 125m<sup>2</sup> (1345ft<sup>2</sup>).

PRODUCT No.	DESCRIPTION	A	B	C	D	WEIGHT	A	B	C	D	WEIGHT
		mm	mm	mm	mm	g	in	in	in	in	oz
<b>Series 42 BB</b>											
RC14263	Intermediate car	85	56	71	25	420	3 11/32	2 7/32	2 13/16	1	14.8
RC14269	Quick release batten car	165	56	71	-	1035	6 1/2	2 7/32	2 13/16	-	36.5
RC14272	Reef car	170	56	71	52	1135	6 11/32	2 7/32	2 13/16	2 1/16	40.0
<b>Spare Parts</b>											
601369	Replacement pin for RC14263	-	-	-	-	18	-	-	-	-	0.6
RC00023	Replacement bush for RC14263	-	-	-	-	3	-	-	-	-	0.1

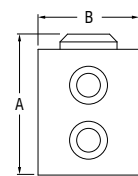




**RC1420**  
TRACK PROFILE



**RC1422**  
TRACK PROFILE



**RC14281**  
END STOP

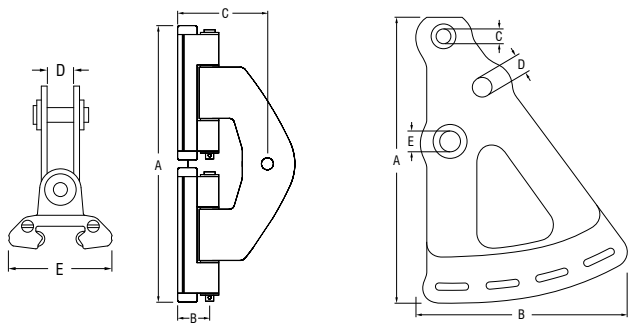
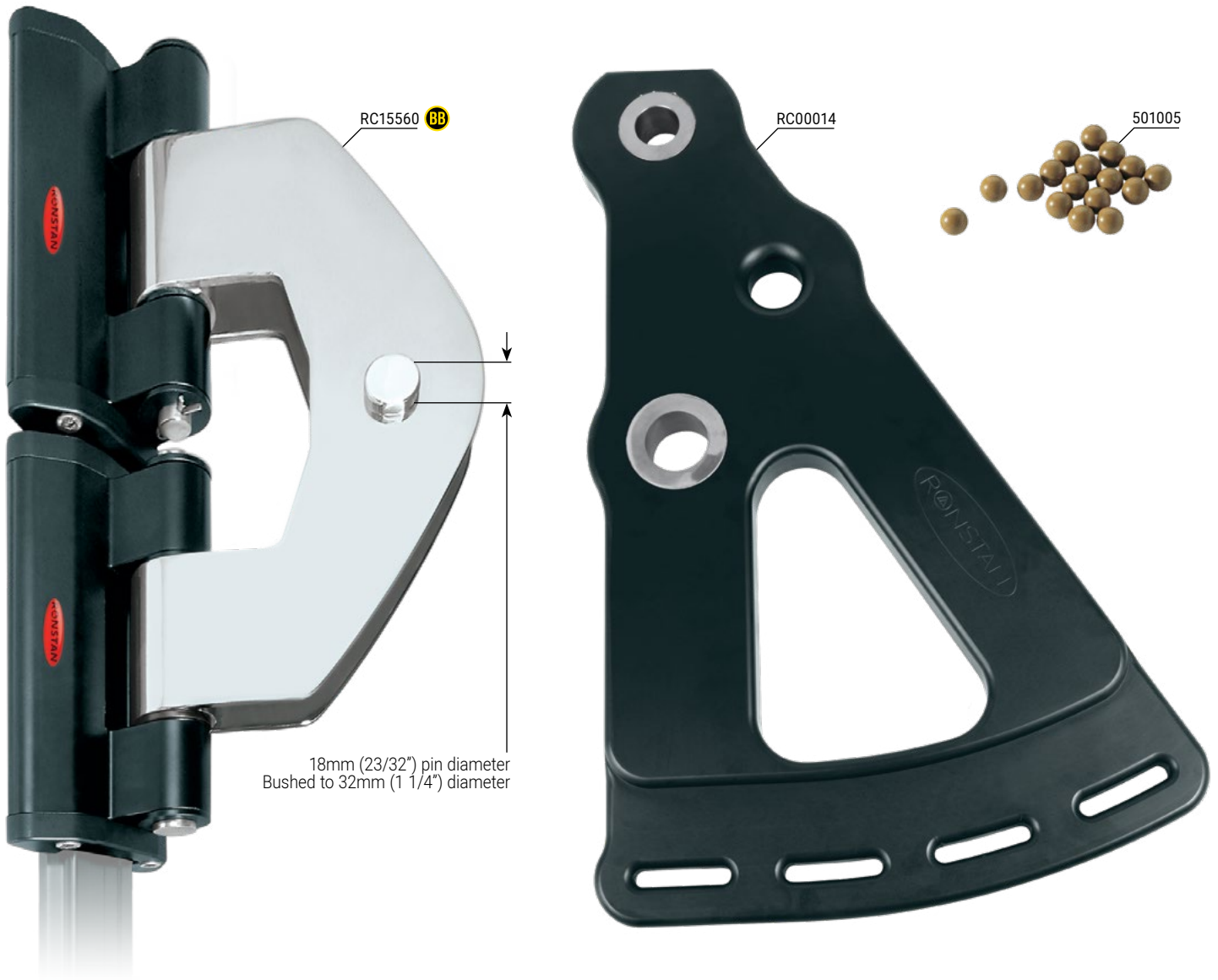
☑ Refer to the SUPPORT tab at [www.ronstan.com](http://www.ronstan.com) for system schematics and installation information.

**TRACK FASTENINGS** – M10 (3/8") countersunk head fasteners at 100mm (3 15/16") centres.

PRODUCT No.	DESCRIPTION	A mm	B mm	C mm	WEIGHT g	A in	B in	C in	WEIGHT oz
<b>Series 42</b>									
RC1420-1.0*1	Track, 996mm (39 3/16") long, black	42	21	-	1430	1 21/32	13/16	-	50.5
RC1420-2.0*1	Track, 1996mm (78 9/16") long, black	42	21	-	2860	1 21/32	13/16	-	100.9
RC1420-3.0*1&2	Track, 2996mm (117 15/16") long, black	42	21	-	4290	1 21/32	13/16	-	151.3
RC1421J	Track joiner, acetal	-	-	-	17	-	-	-	0.6
RC1422-2.0*1	Luff groove track, 2025mm (79 23/32") long, black	42	27	80	4758	1 21/32	1 1/16	3 5/32	167.8
RC1422-3.0*1&2	Luff groove track, 3025mm (119 3/32") long, black	42	27	80	7108	1 21/32	1 1/16	3 5/32	250.7
RC1422J	Luff groove track joiner (pair)	-	-	-	10	-	-	-	0.4
RC14280	End cap, plastic, L50mm x W49mm (2" x 2")	-	-	-	20	-	-	-	0.7
RC14281	End stop, alloy	100	75	-	345	4	2 15/16	-	12.2
RC1429-0.6*1	Gate track, 650mm (25 19/32") long, black	42	21	-	905	1 21/32	13/16	-	31.9
RC1429-0.6L*1	Luff groove gate track, 650mm (25 19/32") long, black	42	27	80	1525	1 21/32	1 1/16	3 5/32	53.8

\* 1 Silver track available - Order as RCxxxxxxS

\* 2 Longer track available on request.



✔ Custom headboard cars, headboards and batten cars can be designed and manufactured to suit more demanding applications or individual requirements.

⚙ Monohulls to 45m (148ft) or sail area 400m<sup>2</sup> (4306ft<sup>2</sup>).

⚙ Multihulls to 33m (110ft) or sail area 300m<sup>2</sup> (3229ft<sup>2</sup>).

PRODUCT No.	DESCRIPTION	A	B	C	D	E	WEIGHT	A	B	C	D	E	WEIGHT
		mm	mm	mm	mm	mm	g	in	in	in	in	in	oz
<b>Series 55 <b>BB</b></b>													
RC00014	Headboard plate	490	315	25.4	30.0	34.4	6880	19 5/16	12 7/16	1	1 5/32	1 5/16	242.7
RC15560	Headboard car	605	74	200	34	126	15160	23 13/16	2 15/16	7 7/8	1 5/16	5	534.8
<b>Spare Parts</b>													
501005	Ball bearing, Torlon®, 12.7mm (1/2") diameter	-	-	-	-	-	2	-	-	-	-	-	0.2



© Contest Yachts

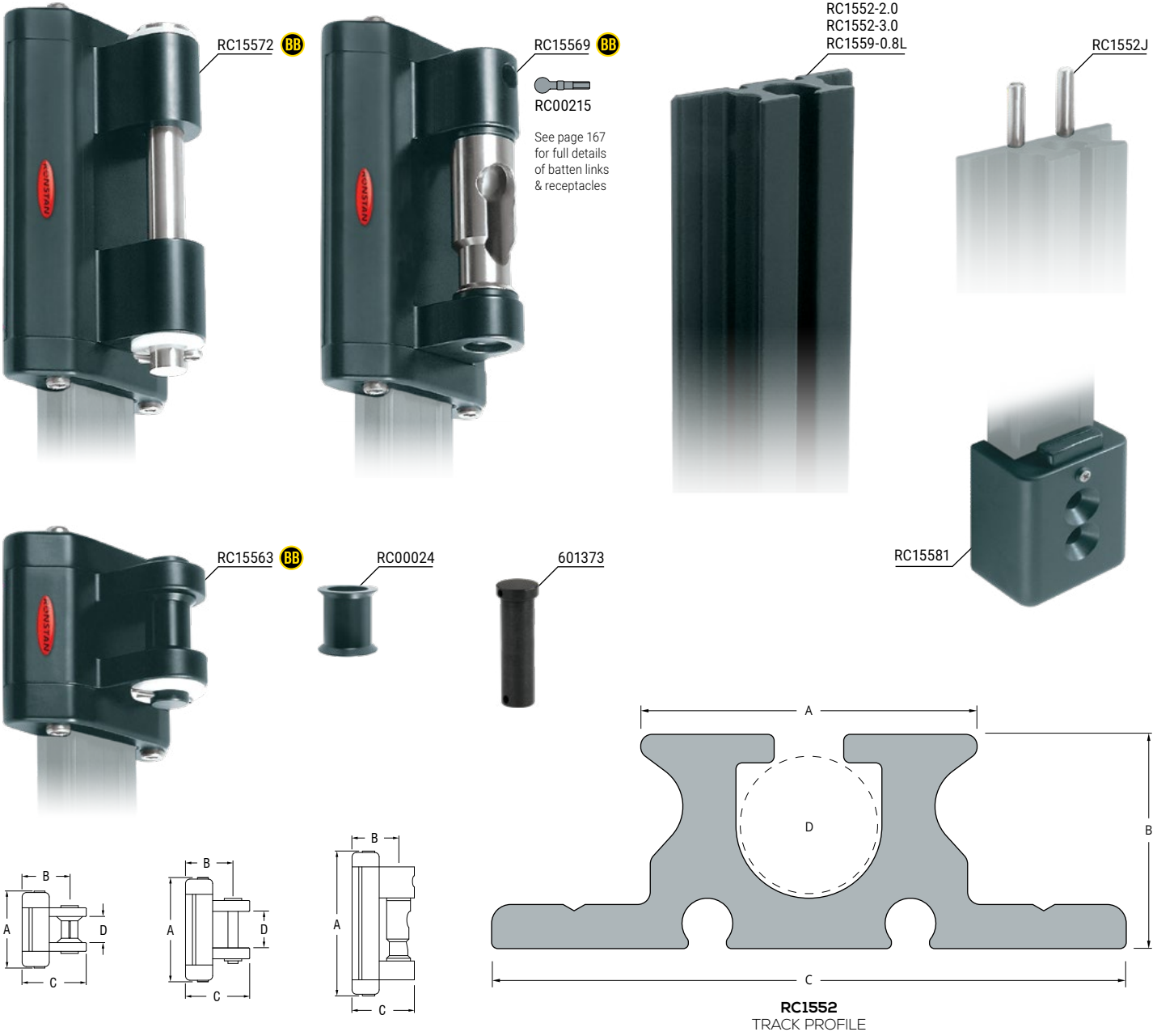
✔ Custom headboard cars, headboards and batten cars can be designed and manufactured to suit more demanding applications or individual requirements.

⚡ Monohulls to 52m (170ft) or sail area 700m<sup>2</sup> (7500ft<sup>2</sup>).

⚡ Multihulls to 39m (128ft) or sail area 525m<sup>2</sup> (5650ft<sup>2</sup>).

PRODUCT No.	DESCRIPTION	A	B	C	D	E	WEIGHT	A	B	C	D	E	WEIGHT
		mm	mm	mm	mm	mm	g	in	in	in	in	in	oz
<b>Series 55 <b>BB</b></b>													
RC15561	Headboard car	710	74	204	34	126	18300	28	2 15/16	8	1 5/16	5	647.0

# SERIES 55 TRACK



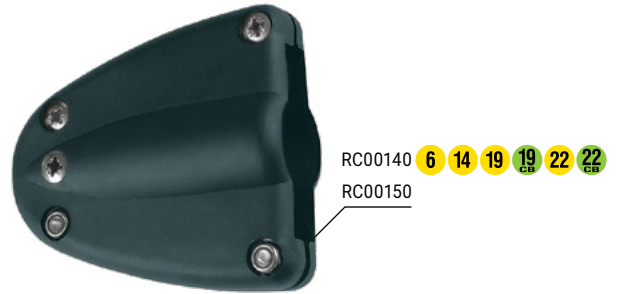
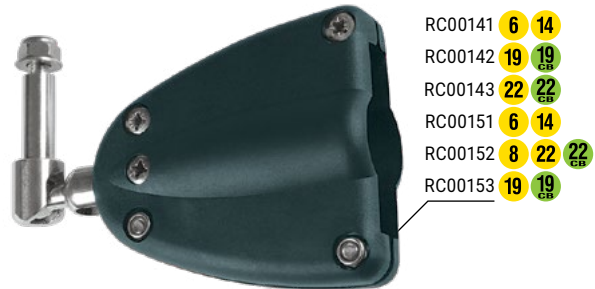
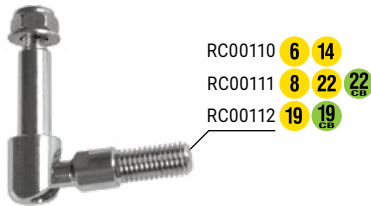
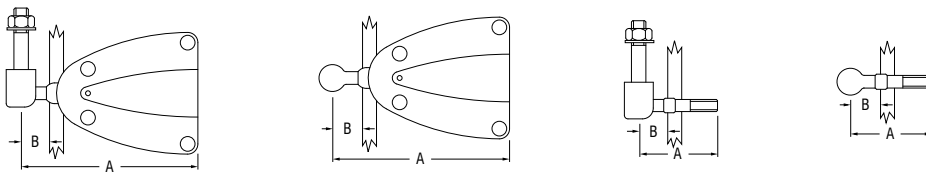
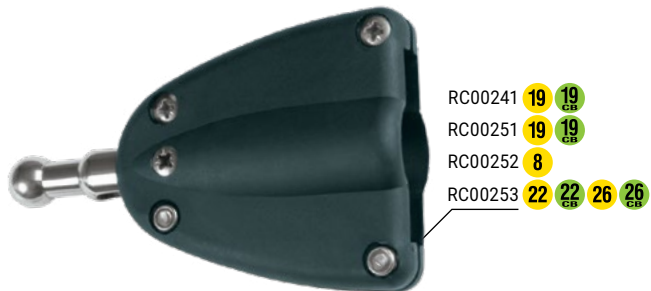
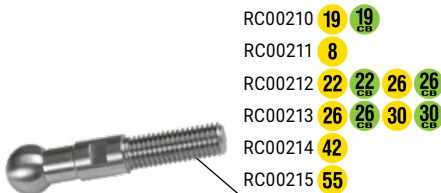
- ☑ Refer to the SUPPORT tab at [www.ronstan.com](http://www.ronstan.com) for system schematics and installation information.
- ☑ Refer to page 128 for details of standard Series 55 track.

- ⬆ Monohulls to 45m (148ft) or sail area 400m<sup>2</sup> (4306ft<sup>2</sup>).
- ⬆ Multihulls to 33m (110ft) or sail area 300m<sup>2</sup> (3229ft<sup>2</sup>).

**TRACK FASTENINGS** – M10 (3/8") countersunk head fasteners at 100mm (3 15/16") centres.

PRODUCT No.	DESCRIPTION	A	B	C	D	WEIGHT	A	B	C	D	WEIGHT
		mm	mm	mm	mm	g	in	in	in	in	oz
<b>Series 55</b>											
RC15563	Intermediate car	128	74	94	37	1151	5 1/6	2 15/16	3 11/16	1 7/16	40.6
RC15569	Quick release batten car	206	74	94	-	2342	8 1/8	2 15/16	3 11/16	-	82.6
RC15572	Reef car	216	74	94	60	3000	8 1/2	2 15/16	3 11/16	2 3/8	105.8
RC15581	End stop, alloy, L110mm x W76mm (4 5/16" x 3")	-	-	-	-	477	-	-	-	-	16.8
RC1552-2.0*1	Luff groove track, 2025mm (79 23/32") long, black	55	37.5	108	24	8856	2 5/32	1 15/32	4 1/4	15/16	312.4
RC1552-3.0*1&2	Luff groove track, 3025mm (119 3/32") long, black	55	37.5	108	24	13284	2 5/32	1 15/32	4 1/4	15/16	468.6
RC1552J	Luff groove track joiners (pair)	-	-	-	-	49	-	-	-	-	1.7
RC1559-0.8L*1	Luff groove gate track, 800mm (31 1/2") long, black	55	37.5	108	24	3542	2 5/32	1 15/32	4 1/4	15/16	124.9
<b>Spare Parts</b>											
601373	Replacement pin for RC15563	-	-	-	-	33	-	-	-	-	1.2
RC00024	Replacement bush for RC15563	-	-	-	-	130	-	-	-	-	4.6

\*1 Silver track available - Order as RCxxxxxxxS  
 \*2 Longer track available on request.


**STANDARD**

**QUICK RELEASE**


Numbers in yellow/green badges refer to the batten car system(s) that the receptacle link suits

PRODUCT No.	DESCRIPTION	A mm	B mm	WEIGHT g	A in	B in	WEIGHT oz
<b>Standard Batten Receptacle Links</b>							
RC00110	Batten receptacle link, M10, suits S14, S6 Ballslide™	58	19	61	2 9/32	3/4	2.2
RC00111	Batten receptacle link, M10, suits S22, S8 Ballslide™	58	19	81	2 9/32	3/4	2.9
RC00112	Batten receptacle link, M10, suits S19	58	19	77	2 9/32	3/4	2.7
RC00140	Batten receptacle, nylon, suits 40mm (1 1/2") flat & 14mm (9/16") diameter round battens	-	-	61	-	-	2.2
RC00141	Batten receptacle link with RC00140 receptacle, suits S14, S6 Ballslide™	92	15	105	3 5/8	19/32	3.7
RC00142	Batten receptacle link with RC00140 receptacle, suits S19	94	17	122	3 23/32	21/32	4.3
RC00143	Batten receptacle link with RC00140 receptacle, suits S22	96	19	116	3 25/32	3/4	4.1
RC00150	Batten receptacle, nylon, suits 50mm (2") flat & 18mm (3/4") diameter round battens	-	-	115	-	-	4.1
RC00151	Batten receptacle link, with RC00150 receptacle, suits S14, S6 Ballslide™	110	15	170	4 11/32	19/32	6.0
RC00152	Batten receptacle link, with RC00150 receptacle, suits S22, S8 Ballslide™	116	19	190	4 9/16	3/4	6.7
RC00153	Batten receptacle link, with RC00150 receptacle, suits S19	114	17	188	4 1/2	21/32	6.6
PNP162	Batten receptacle, vernier adjuster, suits 30mm (1 3/16") x 10mm (13/32") flat battens, suits M10 link	-	-	152	-	-	5.4
<b>Quick Release Batten Receptacle Links</b>							
RC00210	Batten receptacle link 11.5mm (7/16") diameter ball, M10, suits S19	58	19	37	2 9/32	3/4	1.3
RC00211	Batten receptacle link 13.0mm (1/2") diameter ball, M10, suits S8 Ballslide™	60	19	42	2 3/8	3/4	1.5
RC00212	Batten receptacle link 15.4mm (5/8") diameter ball, M10, suits S22, S26	62	19	49	2 7/16	3/4	1.7
RC00213	Batten receptacle link 15.4mm (5/8") diameter ball, M12, suits S26, S30	62	19	59	2 7/16	3/4	2.1
RC00214	Batten receptacle link 19.8mm (3/4") diameter ball, M14, suits S42	100	26	118	3 15/16	1 1/32	4.2
RC00215	Batten receptacle link 22.9mm (7/8") diameter ball, M16, suits S55	101	33	180	4	1 5/16	6.3
RC00241	Batten receptacle link 11.5mm (7/16") diameter ball, with RC00140 receptacle, suits S19	94	17	82	3 23/32	21/32	2.9
RC00251	Batten receptacle link 11.5mm (7/16") diameter ball, with RC00150 receptacle, suits S19	114	17	147	4 1/2	21/32	5.2
RC00252	Batten receptacle link 13.0mm (1/2") diameter ball, with RC00150 receptacle, suits S8 Ballslide™	116	19	152	4 9/16	3/4	5.4
RC00253	Batten receptacle link 15.4mm (5/8") diameter ball, with RC00150 receptacle, suits S22, S26	116	19	165	4 9/16	3/4	5.8