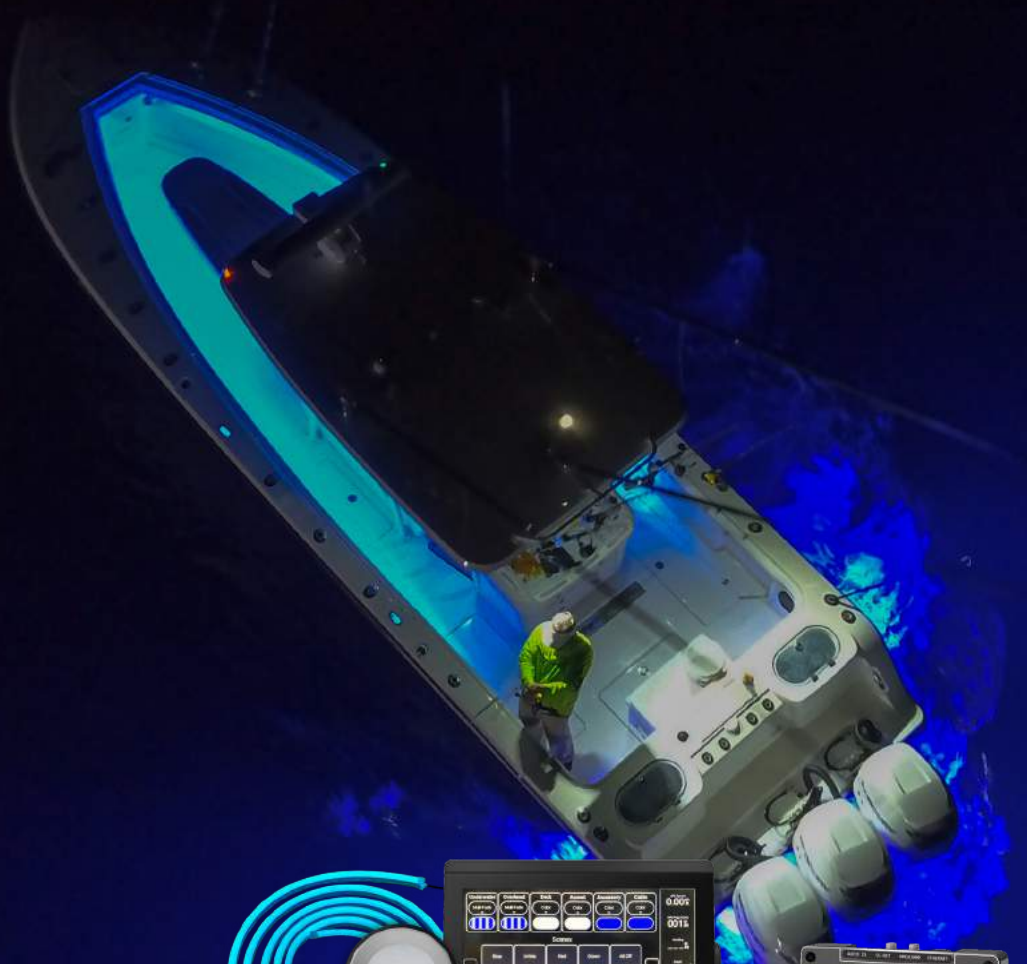


shadow-caster[®]

LED LIGHTING



MARINE PRODUCT GUIDE



Excellence in LED Lighting

Shadow-Caster® specializes in the design and manufacture of a complete range of innovative marine LED lighting products, lighting controls and lighting accessories.

We engineer and manufacture our entire range of products at our facility in Clearwater, Florida USA and pride ourselves on our superior customer support, making us the clear choice in marine LED lighting and control products for your boat, yacht or vessel.

Shadow-Caster® underwater lights are the most highly engineered underwater marine LED lighting products on the market while our above water lights, are exceptionally bright, robust and efficient.

We have relationships with major marine electronic manufacturers, including Garmin, Raymarine, Furuno and the Navico brands Simrad, Lowrance and B&G, to offer integrated solutions to provide seamless and easy to use marine lighting control interfaces.

UNDERWATER LIGHTS



SC-3

- Economical cost option
- Up to 3,000 lumens
- Surface mount
- Passive RGB design
- 3A current draw (white)
- Unlimited colors enabled with Shadow-NET® (CC model only)



UNDERWATER LIGHTS

SCR-24-CC COLOR-CASTER UNDERWATER LIGHT



LED colors
CC

SCR-24-CC

- Up to 7,500 lumens
- 120° beam angle
- 90 watts power draw
- 4" (102 mm) OD
- 12 built-in colors
- Unlimited colors enabled with Shadow-NET®



SCR SERIES

Bronze housing and borosilicate glass window make this light a great all around choice.

- Best in class for brightness, ease of operation and quality
- Ideal for 'Live In The Water' boats
- Proprietary clear-gel-filled design
- Scratch resistant, tempered glass lens
- Bronze housing
- IP68 fully submersible waterproof design
- Transient surge and reverse polarity protection
- Thermal throttling technology



LED colors
BW BB AG GW



SCR-24

- Up to 10,000 lumens
- 120° beam angle
- 90 watts power draw



LED colors
BW BB AG GW UB CR



SCR-16

- Up to 7,000 lumens
- 120° beam angle
- 60 watts power draw

UNDERWATER LIGHTS

SCM-10-EXT-CC

COLOR-CASTER
UNDERWATER LIGHT



LED colors
CC

SCM-10-EXT-CC

- 10 Full Color RGBW LEDs
- Up to 4,000 lumens
- 120° beam angle
- 42W power draw
- 10" x 2.4" x 0.5" (W x H x D)



SCM SERIES ULTRA-LOW PROFILE DESIGN

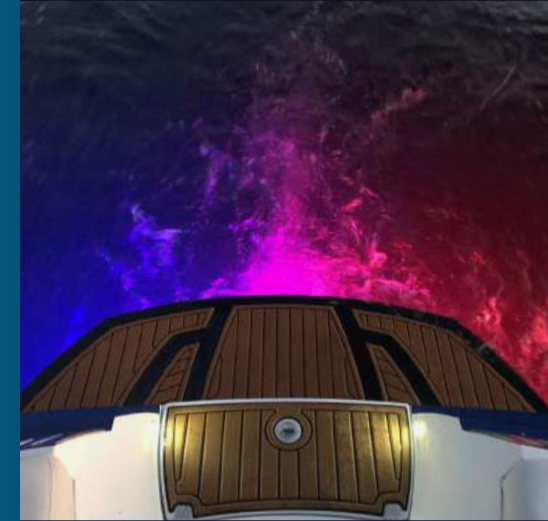


0.5"

SCM SERIES

Low profile design, high brightness and Stainless steel housing make this light a great choice for trailer and lift kept boats.

- Proprietary clear-gel-filled design
- Tough, Polycarbonate lens
- Corrosion resistant passivated Stainless Steel 316 housing
- IP68 fully submersible waterproof design
- Transient surge and reverse polarity protection
- Thermal throttling technology



LED colors
BB GW AG CR UB

SCM-10

- 10 single color LEDs
- Up to 4,000 lumens
- 120° beam angle
- 42W power draw



LED colors
BB GW AG CR UB

SCM-6

- 6 single color LEDs
- Up to 2,400 lumens
- 120° beam angle
- 24W power draw



LED colors
BB GW AG CR UB

SCM-4

- 4 single color LEDs
- Up to 1,600 lumens
- 120° beam angle
- 16W power draw

ABOVE WATER LIGHTS

SPREADER LIGHTS

Ideal choice for lighting large deck areas of your vessel.

- Flush mount version ideal for mounting in T-Tops
- Bracket mount version is ideal for retrofit in existing installations
- White or Black finish available
- Durable glass lens
- IP67 waterproof design



SCM-SL Flush Mount

LED colors CC WBR GW



SCM-SL Bracket Mount

LED colors CC WBR GW

SCM-SL

- 1,500 lumens
- 60° beam angle
- 16W power draw
- 5" width x 1.5" height
- 1.3" mounting depth
- Low-profile aluminum housing
- Shadow-NET® Enabled



COURTESY LIGHTS

Low profile design great for lighting accent areas, hatches, steps and baitwells.

Available in two finishes: polished Stainless Steel or UV resistant ABS with a Black and White Cover

SCM-CL / SCM-CL-SS

- Up to 26,000 mCD light output
- 6° beam angle
- 40,000 hour LED lifetime
- 16W power draw
- 3" x 0.78" x 0.2"
- IP67 waterproof design
- Edge emitting LED lights with 110° viewing angle for single lights and 130° for color changing lights
- Unique reflector design to reduce glare
- Shadow-NET® Enabled



LED colors CC BW BB GW UB

DOWN LIGHTS

Overhead lighting for your vessel. Ideal for T-tops and interior areas.

- White, black or chrome finish to match your boat aesthetics
- DLX version is 3 inch outside diameter with all glass reveal
- DL version is 2 inch outside diameter



LED colors CC WBR GW

SCM-DLX

- 300 lumens
- 120° beam angle
- 3W power draw
- IP67 waterproof design
- 3" OD
- 0.175" mounting height
- 2" mounting hole
- Shadow-NET® Enabled



LED colors CC WBR GW

SCM-DL

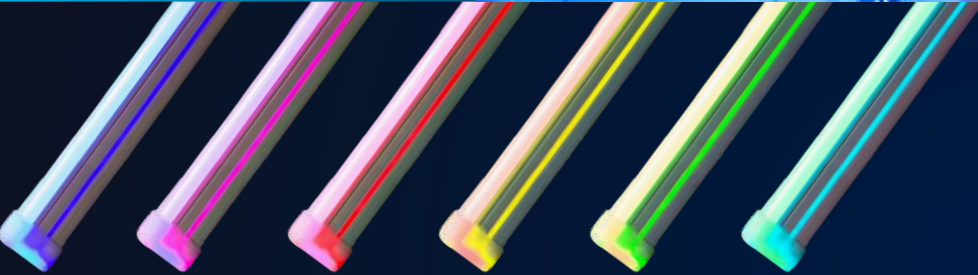
- 300 lumens
- 120° beam angle
- 3W power draw
- IP67 waterproof design
- 2" OD
- 0.175" mounting height
- 1.25" mounting hole
- Shadow-NET® Enabled

ACCENT STRIP LIGHTS

ACCENT STRIP LIGHTS

Shadow-Caster® Accent Strip Lights provide color changing RGB lighting to accent areas, hatches, steps, coves, shelves and compartments.

The SCM-AL-LED marine LED light strip is ideal for mounting out of direct view to while the SCM-AL-NEON & SCM-AL-MINI-NEON versions are recommended where the strip will be directly visible, as they have an integrated light diffuser to create a pleasant, continuous lighting look.



SCM-AL-NEON

- Ideal for installing where strip will be visible
- Diffuse RGB color
- 8ft or 16ft lengths
- Cut to length in 1 1/4" (31.25 mm) increments
- Cross section 0.5" x 0.8"
- IP67 waterproof design



SCM-AL-MINI-NEON

- Ideal for installing where strip will be visible
- Diffuse RGB color
- Smaller bend radius than SCM-AL-NEON
- 8ft & 16ft lengths
- Cut to length in 1" (2.5cm) increments
- Cross section 0.4" x 0.4"
- IP67 waterproof design



SCM-AL-SV-MINI-NEON

- Ideal for installing out of 'line-of-sight'
- Side Illuminated LED
- Diffuse RGB color
- Smaller bend radius than SCM-AL-NEON
- 8ft, 16ft & 30ft lengths
- Can be cut to length in 1" (2.5cm) increments
- Cross section 0.4" x 0.4"
- IP67 waterproof design



SCM-AL-LED

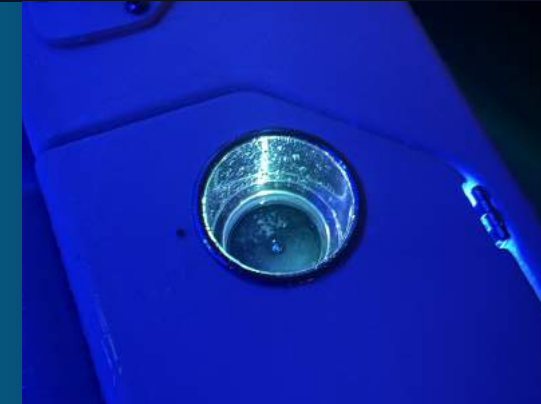
- Ideal for installing out of 'line-of-sight'
- RGB color
- 8ft or 16ft lengths
- Cut to length in 2" (5cm) increments
- Cross section 0.2" x 0.5"
- IP67 waterproof design

ROUND ACCENT LIGHTS

ROUND ACCENT LIGHTS

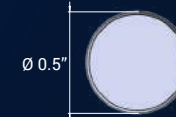
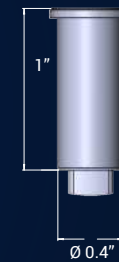
The SCM-RAL Series offer bright accent lighting in a compact and low power draw design.

The RAL Series are IP68 rated making them great for illuminating baitwells, hatches, cupholders, toe kicks and highlighting smaller areas of your vessel.



SCM-RAL-RGB-0.4PW

SCM-RAL-RGB-0.4AB



SCM-RAL-RGB-0.5

- Accent light for 1/2" hole
- Ideal for baitwells and hatches
- IP68 submersible design
- 12V, 30mA per color
- 0.875" OD/0.5"
- Thru-bolt design with nut included

SCM-RAL-RGB-0.4

- Small Accent lights for 3/8" hole
- Ideal for hatches and other small areas such as cupholders
- IP68 submersible design
- SCM-RAL-RGB-0.4PW white plastic version provides pleasant diffused light ideal for general illumination
- SCM-RAL-RGB-0.4AB black threaded aluminum version ideal for cupholders and other panel mount applications

CONTROLLERS

SCM LIGHT COMMANDER MULTI-ZONE LIGHTING CONTROLLER

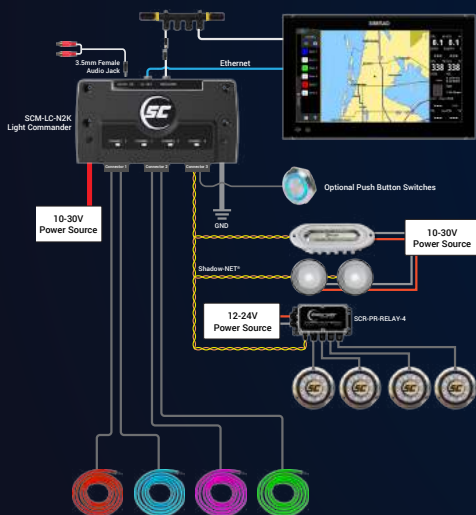
The Shadow-Caster® Light Commander is an NMEA 2000 connected lighting controller based on the newly published NMEA 2000 lighting control standards.

Utilization of NMEA 2000 lighting standards enable "next level" implementation of lighting control and marine system integration and system interoperability.

The expandable Light Commander multi-zone lighting controller supports up to 6 zones of lighting per module with native support for 4 zones of RGB or RGBW lights and unlimited Shadow-NET® devices.

The lighting controller supports programs including multiple color fade, music sync and color rotation.

SCM-LC-N2K TYPICAL WIRING



INTRODUCING THE WORLDS FIRST NMEA 2000 LIGHTING CONTROLLER



AVAILABLE MODELS / PART NUMBERS



FEATURES

- NMEA 2000 Backbone or MFD Network Port Connectivity
- IP67 Water resistant rated housing with waterproof connections
- All in one design, no need for a separate MFD communication bridge
- Up to 6 separate zones of lighting control - expandable to 18 zones by connecting multiple units
- 6 "Instant ON" switch inputs for enabling lights without MFD control
- Support for RGB and RGBW lighting
- Optional wireless connectivity for control from a mobile device

INTERFACING TO THE LIGHT COMMANDER

NMEA 2000

Direct NMEA 2000 connectivity. Check with your MFD manufacturer to verify support. SCM-LC-N2K or SCM-LC-PLUS.



NETWORK INTERFACE

Direct Network connectivity, supported by most MFD manufacturers. SCM-LC-PLUS.



SCM-ZC-REMOTE

Optional waterproof remote control, to provide control for up to 4 zones. SCM-LC-SCNET.



WIFI & BLUETOOTH ENABLED

Android App support for control through the Shadow-Caster App. SCM-LC-PLUS.

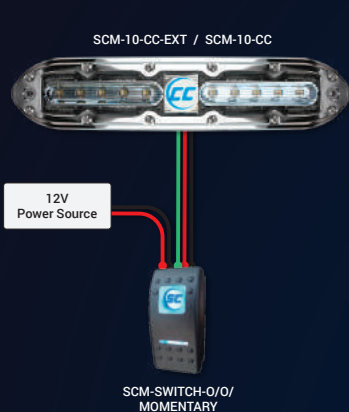


ENDORSED BY THE WORLDS LEADING MFD BRANDS



MULTIPLE CONTROL OPTIONS

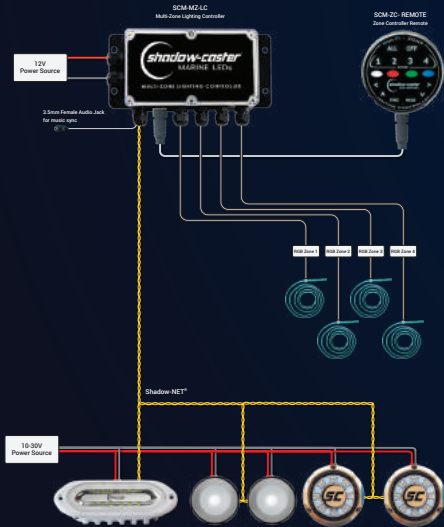
SWITCH CONTROL



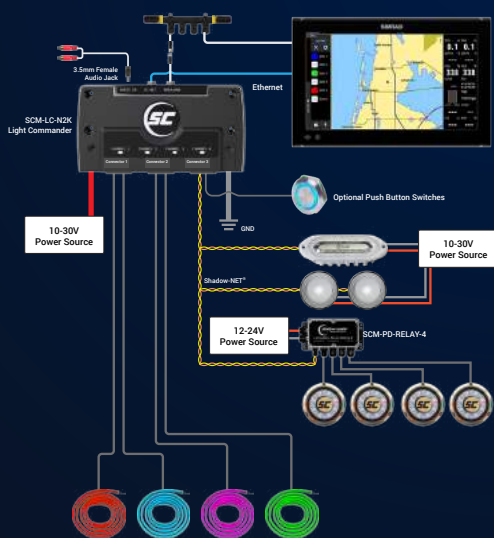
SINGLE ZONE LIGHTING CONTROLLER



MULTI-ZONE LIGHTING CONTROLLER



NMEA 2000/NETWORK CONTROLLER



CONTROLLERS

SCM-MFD-LC-KIT

Control all lighting via your onboard multi-function touch screen display with our MFD Lighting Control Kit providing easy control with full Shadow-NET® lighting control functionality.

- RGB, RGBW, 2 color and single color lighting
- Zone control (for multi-zone applications only)
- Multiple fade mode changes
- Control color and brightness
- 4 versions of music sync
- Endless lighting scenes can be configured and recalled
- Control transition speed, colour sequence for multiple fade and strobe modes



SCM-MFD-LC-KIT INCLUDES:



SCM-MZ-LC

- 4 individually fused 15 amp RGBW lighting connections
- Compatible with 12/24 volt systems
- 3.5mm female audio connection for music sync input
- IP65 washdown rated enclosure
- Shadow-NET® Enabled

SCM-MFD-BRIDGE-STANDARD

- Connects to MFD through RJ45/Network Port
- Compatible with most major MFD brands
- IP65 network and SC Net Cable Included
- IP65 washdown rated enclosure
- Shadow-NET® Enabled

SCM-SCNET-01

Shadow-NET® 1m communication cable

ETHERNET CABLE

Standard Ethernet cable

CONTROLLERS

SCM-ZC-KIT

The Multi Zone Lighting Control Kit SCM-ZC-KIT provides easy control with full Shadow-NET® lighting control functionality.

The kit includes the SCM-ZC-REMOTE and SCM-MZ-LC.

- RGB, RGBW, 2 color and single color lighting
- Zone control (for multi-zone applications only)
- Multiple fade mode changes
- Brightness in each zone
- 3 versions of music sync
- Control transition speed, color sequence for multiple fade and strobe modes



SCM-SNLC

The Shadow-Caster® Single Zone Lighting Controller SCM-SNLC can be used to control a single zone of standard RGB or RGBW lighting.

When the SCM-SNLC is combined with our SCM-SWITCH-O/O/MOMENTARY a wider range of control options are accessible. Simply toggle power to set color and brightness and to select multiple fade modes.



SCM-ZC-KIT INCLUDES:



SCM-ZC-REMOTE

- Easy to connect 4-conductor wiring harness
- 16 back-lit tactile push buttons
- Mounting hole 3.625" (9.2cm)
- IP65 water resistant

SCM-MZ-LC

- 4 individually fused 15 amp RGBW lighting connections
- Compatible with 12/24 volt systems
- 3.5mm female audio connection for music sync input
- IP65 washdown rated enclosure
- Shadow-NET® Enabled

SCM-SNLC

- Brightness Control
- 12 Pre-Programmed Colors
- Fade and Color Change Modes
- Small Compact IP67 Waterproof Housing
- Outputs Shadow-NET Commands to Synchronize
- Underwater Lights with Above Water RGB Lights
- Selectable to be Compatible with RGB and
- RGBW Lights
- RGBW+ LEDs and Strips
- Control up to 250 Watts of LED Strip
- Shadow-NET® Enabled



SCM-SWITCH-O/O/MOMENTARY

When the SCM-SNLC is combined with our SCM-SWITCH-O/O/MOMENTARY a wider range of control options are accessible. Simply toggle power to set color and brightness and to select multiple fade modes.

- Power On/Off
- RGB, RGBW, 2 color and single color lighting
- Multiple fade mode changes
- Brightness
- Strobe



POWER DISTRIBUTION

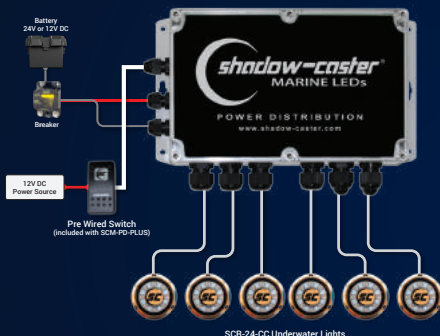
POWER DISTRIBUTION BOXES

Shadow-Caster® Power Distribution Boxes provide a convenient way to connect and individually fuse multiple Shadow-Caster® underwater LED lights.

Housed in a compact waterproof boxes the SCM-PD-PLUS and SCM-PD-RELAY-4 are ideal for bilge and wet mounting locations.



SCM-PD-PLUS TYPICAL WIRING



SCM-PD-PLUS

The SCM-PD-PLUS provides a convenient way to connect up to 6 Shadow-Caster® underwater lights.

- Built-in controller to synchronize multi-color lights
- Comes with pre-wired switch
- Facilitates easier rigging and management of high switch loads
- Shadow-NET® Enabled



SCM-PD-RELAY-4

The SCM-PD-RELAY-4 is a 4-position power distribution box that provides a convenient way to connect up to 4 Shadow-Caster® underwater lights.

When coupled with the optional remote switch it provides an easy way to manage the relatively high current switching needs of multiple light installations.

- Recommended when installing three or more underwater lights
- Individual fuse and connections for up to 4 underwater lights
- Facilitates easier rigging and management of high switch loads
- Recommended when using an external Shadow-NET® controller

INDEX OF PART NUMBERS

SCR UNDERWATER LIGHTS

SCR-16-BW-BZ-10	Blue/White	Page 5
SCR-16-UB-BZ-10	Ultra Blue	Page 5
SCR-16-GW-BZ-10	Great White	Page 5
SCR-16-BB-BZ-10	Bimini Blue	Page 5
SCR-16-AG-BZ-10	Aqua Green	Page 5
SCR-16-CR-BZ-10	Cool Red	Page 5
SCR-24-CC-BZ-10	Color-Caster	Page 4
SCR-24-BW-BZ-10	Blue/White	Page 5
SCR-24-GW-BZ-10	Great White	Page 5
SCR-24-BB-BZ-10	Bimini Blue	Page 5
SCR-24-AG-BZ-10	Aqua Green	Page 3
SCR-3-BB-ALSM	Bimini Blue	Page 3
SCR-3-RGB-ALTB	Multi-Color	Page 3

SCM UNDERWATER LIGHTS

SCM-4-BB-20	Bimini Blue	Page 7
SCM-4-GW-20	Great White	Page 7
SCM-4-AG-20	Aqua Green	Page 7
SCM-4-UB-20	Ultra Blue	Page 7
SCM-4-CR-20	Cool Red	Page 7
SCM-6-BB-20	Bimini Blue	Page 7
SCM-6-GW-20	Great White	Page 7
SCM-6-AG-20	Aqua Green	Page 7
SCM-6-UB-20	Ultra Blue	Page 7
SCM-6-CR-20	Cool Red	Page 7
SCM-10-BB-20	Bimini Blue	Page 7
SCM-10-GW-20	Great White	Page 7
SCM-10-AG-20	Aqua Green	Page 7
SCM-10-UB-20	Ultra Blue	Page 7
SCM-10-CR-20	Cool Red	Page 7
SCM-10-EXT-CC	Color-Caster	Page 6

COURTESY LIGHTS

SCM-CL-BB	Bimini Blue/White & Black Covers	Page 8/9
SCM-CL-GW	Great White/White & Black Covers	Page 8/9
SCM-CL-CR	Cool Red/White & Black Covers	Page 8/9
SCM-CL-RGB	Multi-Color / White & Black Covers	Page 8/9
SCM-CL-BB/GW	Bimini Blue/Great White/White & Black Covers	Page 8/9
SCM-CL-BB-SS	Bimini Blue/Stainless Steel Cover	Page 8/9
SCM-CL-GW-SS	Great White/Stainless Steel cover	Page 8/9
SCM-CL-CR-SS	Cool Red/Stainless Steel Cover	Page 8/9
SCM-CL-BB/GW-SS	Bimini Blue/Great White/Stainless Steel Cover	Page 8/9
SCM-CL-RGB-SS	Multi-Color/Stainless Steel Cover	Page 8/9

CONTROLLERS

SCM-SNLC	Single Zone Lighting Controller	Page 17
SCM-SWITCH-O/O/M	Single Switch On/Off Momentary	Page 17
SCM-ZC-REMOTE	4 Zone Push Button Remote	Page 16
SCM-MZ-LC	Multi Zone Lighting Controller	Page 15
SCM-MFD-BRIDGE	Ethernet Communications Bridge	Page 15

INTEGRATED LIGHTING CONTROLS

SCM-LIGHT COMMANDER	NMEA 2000 Lighting Controller	Page 12/13
SCM-LIGHT COMMANDER PLUS	NMEA 2000, Network & Wireless	Page 12/13
SCM-LIGHT COMMANDER SCNET	Connectivity Lighting Controller	Page 12/13
SCM-MFD-LC-KIT	Expandable SC-NET Lighting Controller	Page 12/13
SCM-ZC-KIT	Multi-Zone Lighting Controller Kit	Page 15
	4 Zone Lighting Controller Kit	Page 16

POWER DISTRIBUTION BOXES

SCM-PD-PLUS	Power Distribution Box for Shadow-Net®	Page 18
SCM-PD-RELAY-4	Power Distribution Box	Page 18

DOWN LIGHTS

SCM-DLX-GW-WH	Great White, White Housing/Window	Page 9
SCM-DLX-WBR-WH	White/Blue/Red, White Housing/Window	Page 9
SCM-DLX-CC-WH	Color-Caster, White Housing/Window	Page 9
SCM-DLX-CC-BK	Color-Caster, Black Housing/Window	Page 9
SCM-DLX-CC-CHR	Color-Caster, Black Housing/Chrome Window	Page 9
SCM-DL-BW-WH	Blue/White, White Housing	Page 9
SCM-DL-WBR-WH	White/Blue/Red, White Housing	Page 9
SCM-DL-GW-WH	Great White, White Housing	Page 9
SCM-DL-CC-WH	Color-Caster, White Housing	Page 9
SCM-DL-CC-BK	Color-Caster, Black Housing	Page 9

SPREADER LIGHTS

SCM-SLF-GW-WH	Great White, Flush Mount, White Housing	Page 8
SCM-SLB-GW-WH	Great White, Bracket Mount, White Housing	Page 8
SCM-SLF-WBR-WH	White/Blue/Red, Flush Mount, White Housing	Page 8
SCM-SLB-WBR-WH	White/Blue/Red, Bracket Mount, White Housing	Page 8
SCM-SLF-CC-BK	Color-Caster, Flush Mount, Black Housing	Page 8
SCM-SLB-CC-BK	Color-Caster, Bracket Mount, Black Housing	Page 8

ACCENT LIGHTS

SCM-RAL-RGB-0.5	Round Accent Light for 1/2" Hole	Page 11
SCM-RAL-RGB-0.5	Round Accent Light for 1/2" Hole, Black Aluminum	Page 11
SCM-RAL-RGB-0.4AB	Round Accent Light for 3/8" Hole, White Plastic	Page 11
SCM-RAL-RGB-0.4PW	Round Accent Light for 3/8" Hole, White Plastic	Page 11
SCM-AL-LED-08	8 ft RGB	Page 10
SCM-AL-LED-16	16 ft RGB	Page 10
SCM-AL-NEON-08	8 ft Neon RGB	Page 10
SCM-AL-NEON-16	16 ft Neon RGB	Page 10
SCM-AL-MINI-NEON-08	8 ft Mini Neon RGB	Page 10
SCM-AL-MINI-NEON-16	16 ft Mini Neon RGB	Page 10
SCM-AL-TRACK-1M	1m Long Mounting Track	Page 10

SHADOW-CASTER® LIGHTING COLOR CODES

GW - Great White	UB - Ultra Blue	AG - Aqua Green	WBR - White/Blue/Red
BB - Bimini Blue	CR - Cool Red	BW - Blue/White	CC - Color-Caster

OUR STORY



The founders of Shadow-Caster® are driven to bring products to the marketplace that deliver high performance and reliability. Their devotion to the boating community drives constant evolution and improvements to the Shadow-Caster® product line. This continual improvement sets Shadow-Caster® Lighting above the rest.

At Shadow-Caster® we strive to innovate beyond the standard LED light. Over the last few years, our Shadow-NET® technology has continuously evolved and today you will find products utilizing our unique lighting protocol integrated across many boat manufacturers. Shadow-NET® delivers on our vision to provide customers with integrated lighting control for an entire boat.

Excellence in LED Lighting



Designed & Manufactured
in Clearwater, FL

© 2021 Shadow-Caster® LED Lighting, All Rights Reserved

Shadow-Caster® LED Lighting | 2060 Calumet Street. | Clearwater, FL 33765

p: 1+ 727.474.2877 e: info@shadow-caster.com w: shadow-caster.com