

EDVAX

CATALOGUE
english

EDVAX CCTV







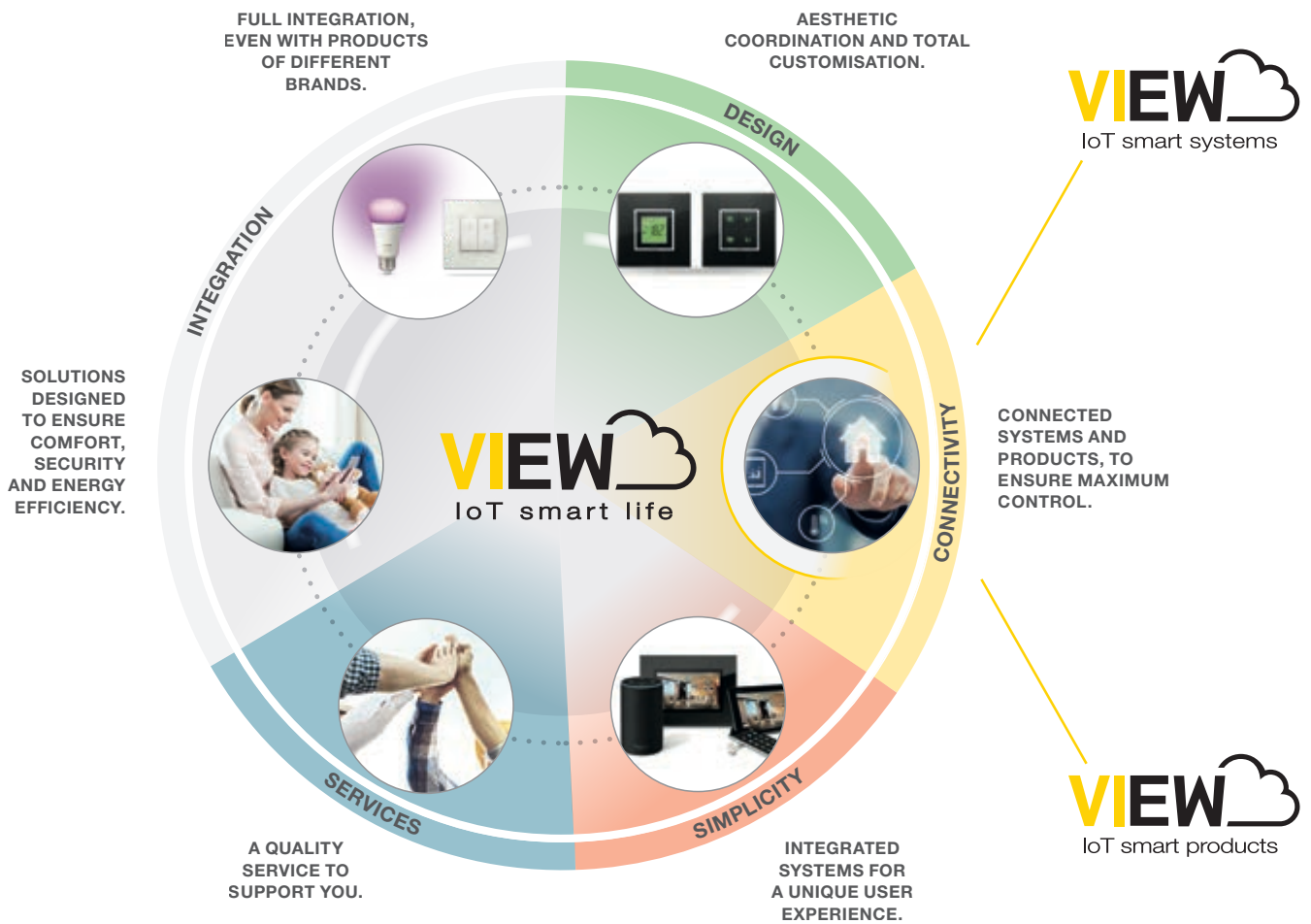
Vimar Energy on Web, dedicated to even smarter spaces.

What is VIEW? VIEW is Vimar's vision of the digital world and the Internet of Things, which forms the guiding principle for the ongoing development of smart, connected solutions.

A platform designed as the smart answer to the most specific modern living requirements that includes connected systems and products for new buildings, renovations or existing system upgrades. Introducing the integrated VIEW IoT Smart Systems platform for new buildings where Video Door Entry, CCTV, Automation, Burglar Alarm and the new By-me Plus systems merge to create a unique user experience based on simplicity. Simplicity for the end user but also for the professional, who can now install and manage the integrated systems remotely too, thanks to the new Vimar Cloud-based architecture and the innovative local EDGE services.

An ecosystem of smart products and interconnected systems.

VIEW is a practical response to the variety of requirements of those who design, create and live in living spaces, making homes smart and so truly welcoming. It offers a combination of solutions designed to favour comfort, energy efficiency and security, with products that can be customised to match all architectural styles.




by-me
smart automation



BY-ME PLUS
SMART AUTOMATION



ELVOX
DOOR ENTRY



ELVOX CCTV

WELL-CONTACT PLUS
BUILDING AUTOMATION



BY-ALARM
BURGLAR ALARM



ELVOX GATES



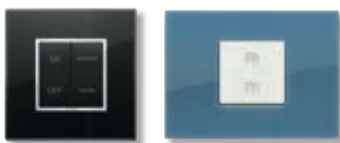
WI-FI / GSM THERMOSTATS AND
TIMER-THERMOSTATS



WI-FI CAMERAS



ZIGBEE / BLUETOOTH /
ENOCEAN DEVICES



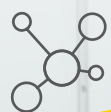
BLUETOOTH
SOUND SYSTEM



VIEW IoT Smart Systems.

Simplicity and connectivity,
integration and design.

VIEW IoT Smart Systems is the new integrated platform composed of smart, intercommunicating systems designed to improve daily life, reduce consumptions and carry out complex operations with minimum user intervention. Thanks to IP technology, spaces can be monitored from a single location and in the simplest way possible: thanks to the VIEW App, touch screens, smartphones and tablets ensure an integrated and unique user experience. Solutions developed to provide intuitive and immediate management of all the functions set, from the simplest ones such as controlling lighting and heating, to more complex ones such as scenarios.



Simplicity & Connectivity
These are the characteristics



VIEW APP. SIMPLY CONNECTED TO YOUR WORLD.

With the **VIEW app** and the Vimar Cloud your customers can connect to their spaces wherever they may be and are constantly updated about what happens inside and outside the building. In addition to integrating a powerful notification system, the app is fully customisable (graphic backgrounds, home page with favourites, creation of scenarios and much more) and supports all the functions in the system.



ELVOX CCTV.
SYSTEMS FOR LIVING SAFE.



 **Integration**
of Vimar solutions

 **Design**

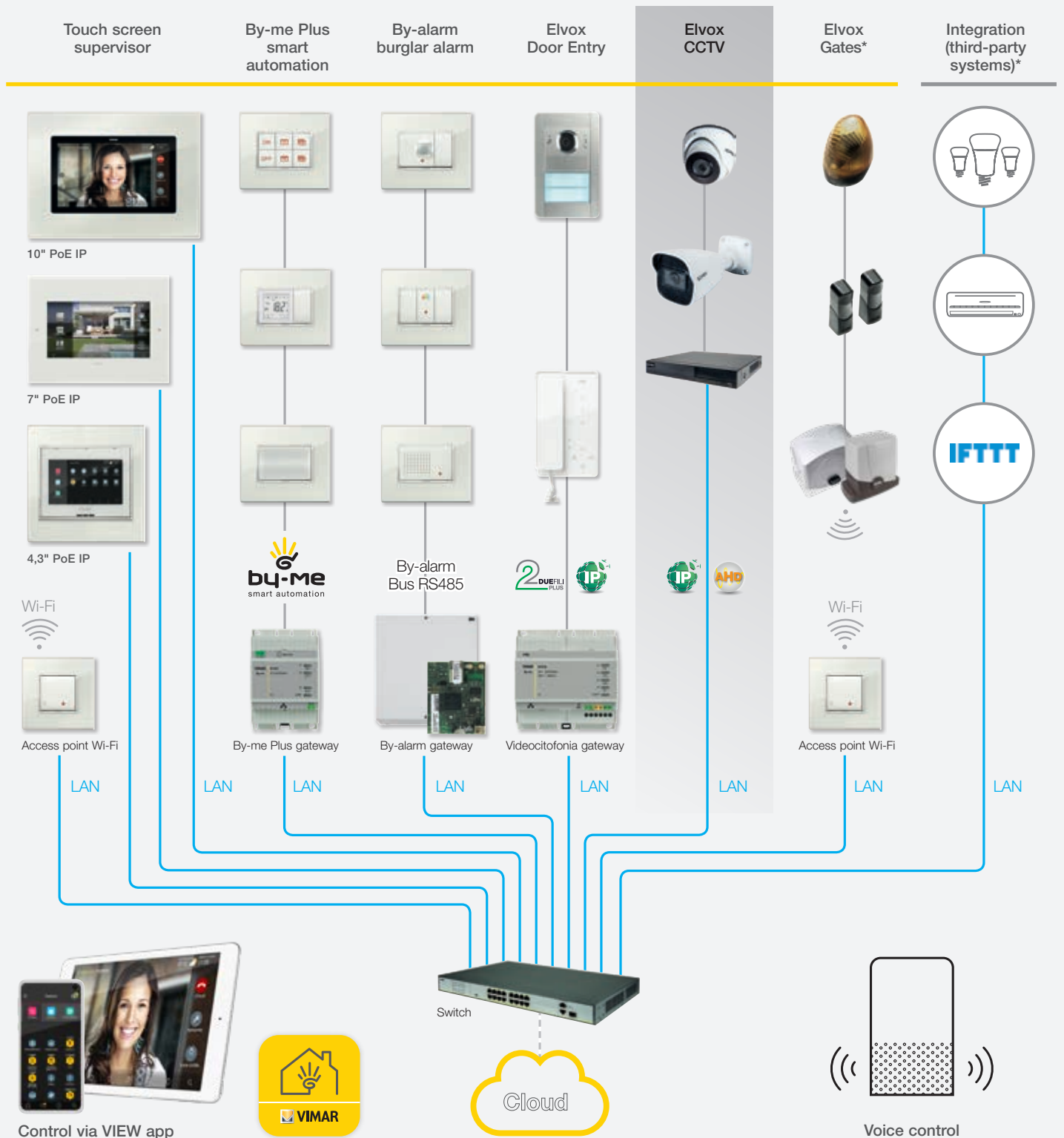
INTEGRATION and DESIGN.
THE HEART OF THE SMART HOME.

VIEW offers the best possible security, energy efficiency, comfort and control, natively integrating all Vimar professional wired systems. Moreover, it makes use of IP technology and the Cloud to guarantee interoperability and compatibility with professional systems and third-party smart products.



VIEW IoT Smart Systems.

The integrated platform for the **comfort**, **energy efficiency** and **security** of buildings: a scalable solution that is easy to install thanks to the consolidated Bus technologies on 2 or 4 wires and simple to configure and maintain thanks to the IP connectivity and support of the **Vimar Cloud** services. Last but not least, the **EDGE technology** guarantees the commissioning and use of the system even without Internet connectivity, as well as the possibility of inhibiting the connectivity of the system to the Cloud to allow for the utmost privacy.



We recommend you use high-performance switches that guarantee the reliability of the IP-based platform (for instance Elvox switches). Avoid using the ports of consumer routers, because the type of filtering that may be applied to transiting data is not known in advance.

*For the availability of integrated elements for Elvox, DALI, IFTTT and third-party systems, contact the sales network.

VIEW app. Simply connected to your world.

With the VIEW app and the Vimar Cloud it is easy to stay constantly updated about everything that happens inside and outside the building. In addition to integrating a powerful notification system, the app is fully customisable (graphic backgrounds, home page with favourites, creation of scenarios and much more) and supports all the functions in the system.



Simplicity and Connectivity. For managing everything, everywhere.

With IP technology, from now on spaces can be monitored from a single location and in the simplest way possible: thanks to the **VIEW app**, touch screens, smartphones and tablets ensure an integrated user experience that is truly one of a kind. The **VIEW app** for the end user allows the intuitive and immediate management of all the functions set, from the simplest ones such as controlling lighting and heating, to more complex ones such as scenarios.



Google, Google Play and Google Home are trademarks of Google LLC.

Interfaces. User-friendly and clear.

The many functions of the integrated system can be controlled from a range of digital interfaces: from programmable electronic controls to **wall-mounted touch screens**, smartphones, tablets and PCs, and even ultra-simple smart speakers. All for a total, immersive user experience.



The innovation of
VIEW IoT Smart Systems

Elvox CCTV: systems for living safe.

Protecting premises against intrusion from the outside and guaranteeing constant, round-the-clock control. **Highly professional, integrable systems**, with a wide range of products, meet functional and installation requirements of every type. Distinguished by the quality that has always characterised Vimar products and guaranteed for three years, the systems dedicated to security use latest-generation technologies and are the ideal solution for stand-alone configurations and for integration into By-me Plus home automation systems.



> **ELVOX CCTV: VIDEO SURVEILLANCE SYSTEM**

A wide range of increasingly performing products able to guarantee comprehensive control, even in critical areas. Innovative solutions, based on integrated IP and AHD technologies, specifically designed to be controlled even remotely providing visibility of the monitored areas, perfect in the smallest detail.



Seamless compatibility has its benefits.

The **Elvox CCTV video surveillance system** can be integrated with the By-me Plus home automation system via a protected IP connection. The perfect combination, with an array of ensuing benefits.



CONSTANTLY EXPANDABLE AT ANY TIME.

By-alarm and Elvox CCTV video surveillance systems are instantly expandable to accommodate system enhancements. This is thanks to various supports, such as: coaxial cables and IP protocol, wired cable, Bus cable and/or radio frequency on highly reliable protocols.



FLEXIBLE INSTALLATION.

Security is extended with the utmost ease and flexibility in any location, whether indoors or out, thanks to a broad range of solutions that ensure the widespread coverage of all areas of the building. By-alarm, for instance, can be installed in stand alone mode with wired connection but it can also be extended in radio frequency to reach even less accessible spaces.



SIMPLE CONFIGURATION.

To offer maximum versatility and to help professionals in their daily work, the systems can be configured quickly and intuitively using the keyboard or specific software: By-alarm Manager for the By-alarm burglar alarm system and CVM for Elvox CCTV video surveillance.





REMOTE MANAGEMENT AND VIDEO CHECK

Specific apps are designed for the complete management of both By-alarm and the video surveillance system, guaranteeing constant monitoring from video touch screens, smartphones and tablets. In the event of an alarm, the video check function is designed to view the image of the camera associated with the area in alarm.



VIEW



By-camera



GUARANTEED PROFESSIONALITY

Our professional, technologically sophisticated products are designed to guarantee superior performance and durability. Famed for their top quality, they are guaranteed for three years, a whole year more than the legal requirements.



SOLUTIONS FOR ANY BUILDING

Our security solutions adapt to the most diverse application environments. Versatility and scalability, combined with sophisticated technology and ease of use, are all distinguishing features which make them suitable for the smallest apartment to large shopping centres and executive compounds, through to large industrial estates.



Increasingly sophisticated video surveillance systems with extra high resolution at 2, 5 and 8 Mpx.

Better security means better quality of life. For this reason, our video surveillance systems integrate high-performance products able to guarantee comprehensive control, even in critical areas. Innovative solutions, devised to provide perfect visibility in detail.



NEW IP RANGE.

The new IP cameras from 2 to 8 Mpx (4K) have been restyled with new cases and are compatible with the Onvif standard, allowing integration in third-party systems through a standard protocol; they guarantee filming in colour even in low light conditions; they offer video analysis functions that scan images to detect abnormal behaviour, as well as H.265 video compression to optimise both data storage space in the NVR and traffic over the network. New 4K NVR available up to 64 channels, also with RAID function.



The **ONVIF** (Open Network Video Interface Forum) is an organization that certifies all video surveillance devices that comply with precise standardizations to make all devices interoperable with each other even if of different companies. The standards to be respected are: IP communication protocol, configuration, remote control, viewing and recording of audio-video streams. The certified products list is available on: <https://www.onvif.org/>

NVR/DVR CONFORMING TO THE GDPR.

The NVRs and DVRs are designed and developed according to the requirements of the GDPR, in full compliance with the European Union regulations on the subject of security. They provide **secure access** protected by an alphanumeric password that can be set with up to 16 characters. All accesses and changes to the system, as configured, **are recorded and stored for a period of 6 months according to a standard using mode**. For greater security, from the first access made, a message will remind you to change the default password, and it will continue to be prompted until it is changed for the first time. Recordings can be set with overwriting in automatic mode once 24 hours have passed and without audio recording. The data used to access and view the systems via the **dedicated By-camera app** are encrypted with the highest security levels, while the servers that manage the P2P service are located within the European Community.



What's more, to increase the security of the new NVRs further, the encryption of the data recorded on the HDD is permitted, and protected by an additional password, which blocks unauthorised access and formatting.



NEW AHD RANGE.

The range of AHD cameras with Full HD resolution and 5 Mpx has been restyled with new cases. AHD technology combines high resolution with the same easy installation as analogue cameras. Cameras that are easily and quickly configurable by OSD, versatile solutions devised to renovate existing systems with a coaxial cable and foster integration with the Elvox Due Fili Plus video door entry system. The high resolution at 5 Mpx for the recorders available in versions with 4, 8 and 16 channels is also supplemented by the H.265 video compression for more durable recordings and data traffic band occupation.

The range is completed by the new AHD 5 Mpx cameras (Bullet and Dome) with 2.7-13.5 mm motorised varifocal and fixed focus lens and a PTZ Bullet camera with 5-50 mm motorised lens, that can be remotely adjusted (vertically and horizontally) also using the By-camera app, enhancing the monitoring capabilities with a single camera.



FISHEYE IP WITH IP67 360° VIEW.

The fisheye camera, which is compact in size thanks to its thickness of just 39 mm, is designed to view large areas using a single camera while avoiding blind spots. It can be ceiling mounted or rested on a tabletop for a 360° view, or surface mounted for a panoramic 180° view; thanks to the powerful algorithm the image can be set according to personal preference, even from a smartphone and tablet using the By-camera app.



360°



WI-FI IP CAMERA

Solution devised for Full-HD indoor filming, thanks to the broad view (116°). The PIR motion sensor can generate notifications on the **By-camera app** and record on both NVR and SD-Card. The connection - both wired and Wi-Fi - facilitates installation even where the wiring proves difficult or impossible, also providing useful filming points for **video checks integrated in By-alarm system**.



By-camera



NIGHT VISION ALSO IN COLOUR

The Low Light cameras available in IP technology and now also in AHD technology make colour filming possible also in conditions of extremely low light. The new camera in AHD version is without IR and makes it possible not to be noticed in the dark, while in the low light IP versions, the IR can be configured. The range of high sensitivity cameras is completed by the entire new range of IP cameras with higher sensitivity than previous versions.



Standard camera



Low Light camera: colour recordings

VIDEO ANALYSIS FUNCTIONS.

In video surveillance systems, video analysis adds to the usual motion alarms also alarms concerning line crossing, abandoned or removed items, area intrusion, anomaly (fault or tampering) and now also facial detection. These alarms make it easier to detect activities and suspicious behaviour in time, to prevent accidents. Video analysis can automatically generate events and the information can be used to signal facts detected in the video, which may be useful to establish the operations to activate, for instance start filming, send notifications on the app, reduce false alarms and bandwidth occupation.

The video analysis can be configured according to personal preference and to the specific requirements of each system, affording a host of advantages, such as:

- **Cost reduction and time saving:** by sending less footage on the network, the loads and the storage space are reduced and the monitoring and recording searches are simpler.
- **Greater efficiency:** the automatic monitoring of the videos detects security breaches and enables prevention rather than reactions after an event.

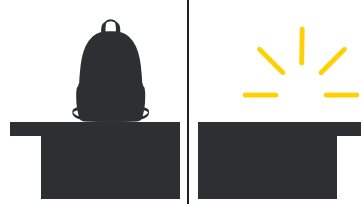
The system records the information and sends notifications:

- if **a person crosses a line or enters a virtual area** (defined in the graphic interface);
- if an **item is removed from inside the camera's** filming area;
- if the **camera has been damaged or is malfunctioning**;
- if the scene contains **one or more** consistent **faces (facial detection)** with the minimum dimensions set, facilitating the search for events concerned by people.

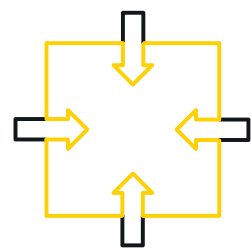
All the events generated are notified to the NVR, activating the recording or the alarm.



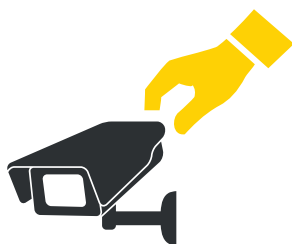
Line crossing



Left or removed item



Area intrusion



Anomaly
(fault or tampering)

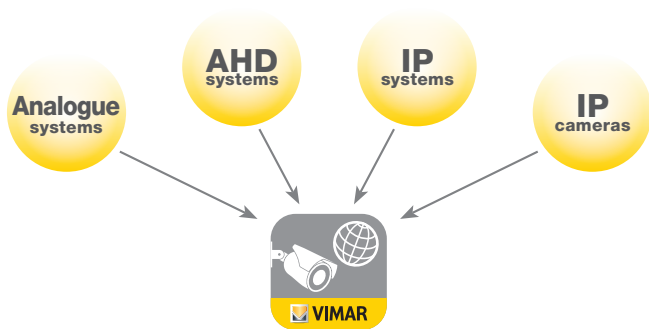


Face detection

By-camera app.

Simple, performing, sophisticated: total control for AHD and IP video surveillance systems.

The By-camera app makes it possible to manage new systems and existing systems and is compatible with Vimar video surveillance products, in IP and AHD technology, and it perfectly suits the needs of both the final user and the installer.

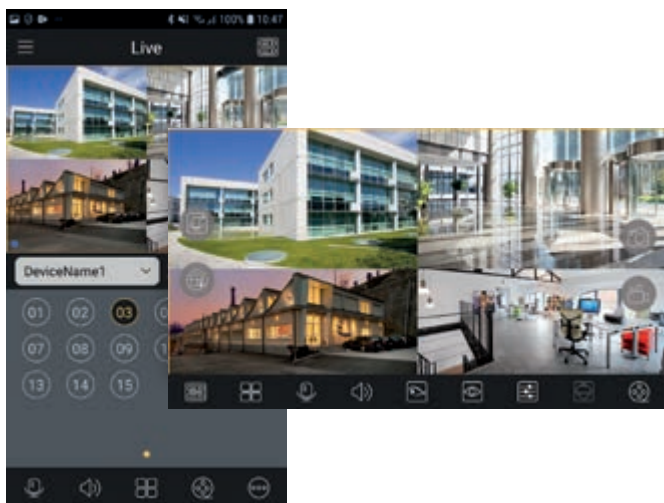


CUSTOMISABLE APPLICATION

You can use the app to adjust certain settings on the DVR/ NVR video recorders and create favourite screens. Favourite screens can also be created by combining into a single screen video streams originating from several systems with different technologies, analogue, AHD, IP and IP cameras.

FISHEYE CAMERA VIEW

With five different dividable views, the Fisheye camera exploits its full potential of **360° view**, **bullet**, **180°+180°**, **virtual PTZ** and **virtual reality**, a view inspired by the latest gaming technologies on smartphones.

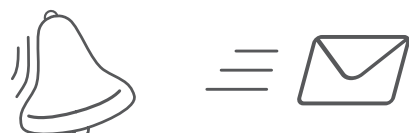


VERTICAL AND HORIZONTAL ORIENTATION

The app works both on smartphones and tablets and is designed to view the screens either vertically or horizontally, to allow optimum viewing of film footage.

NOTIFICATIONS

You can receive real-time event notifications on your smartphone as well as by e-mail.



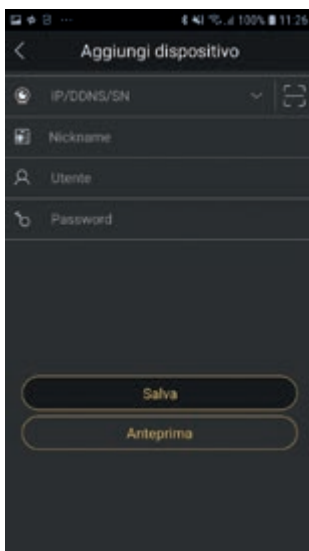


By-camera app, available free of charge for iOS and Android operating systems on Apple Store and Google Play.



IMMEDIATE CONNECTION

Immediate access to the system remotely and without the need to configure the router. Simply scan the QR code with the app to view the video streaming from the cameras. The insertion of the IP address - both static and dynamic - is envisaged in the advanced mode, requiring the configuration of your router.



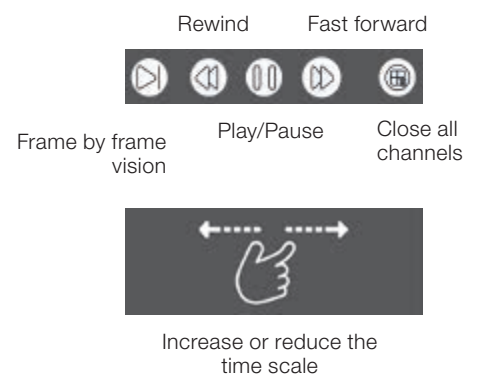
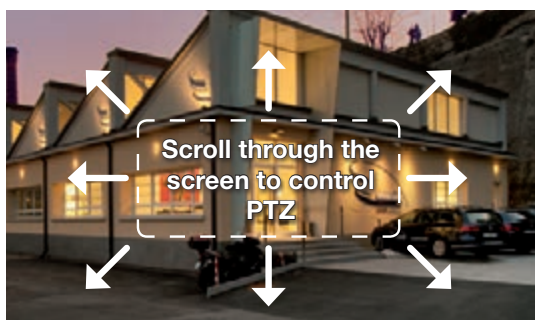
SIMPLIFIED PLAYBACK

It is easy to navigate through recordings thanks to simple, user-friendly controls, to the differentiated time scale per event, and each with a definite colour to make it easier to identify.



REMOTE CONTROL OF CAMERAS

Motorised cameras and PTZ can be controlled and moved from smartphones and tablets.



Videosurveillance system

General characteristics

CVM control software

CVM-ELVOX (Central Video Management) software is an advanced application for centralised monitoring and management of DVRs and NVRs. This software makes it possible to monitor up to 256 DVR/NVR/IP cameras over the local network or Internet, even with mixed technology (AHD-IP), via an interface that is fully configurable according to the user's needs.

Operating System Requirements:

Windows 7 (32bit/64bit, SP1 support) DirectX 11.0 or above
Windows 8 (32bit/64bit), DirectX 11.0 or above

Hardware requirements:

CPU	Intel Core Duo, 2.6 GHz or more
Memory	2 GB or more
HDD	250 GB or more
Graphics card	Dedicated graphics card; 512 MB graphics memory or higher

Functions

Multi-window management: maps, video playback and settings can be managed simultaneously on several monitors.

Live viewing: viewing of up to a maximum of 100 cameras on a single window even from several DVRs/NVRs.

The cameras can be organised into logical groups for easier management (e.g. "Perimeter cameras", "Goods unloading area", etc.).

The image quality of the primary and secondary stream can be changed to adapt to bandwidth requirements.

In the event of an alarm, a pop-up appears on the entire screen with images of the camera that detected the alarm.

Two-way audio: the operator can open a talk/listen audio channel with the DVR/NVR via the IP connection with the independent activation of transmission and reception.

Remote control of DVR/NVR digital outputs and inputs: to activate devices remotely manually or automatically, such as turning on lights or opening access points.

Graphic maps: a hierarchical view of several maps can be created to position the cameras and alarm sensors and obtain more details.



Videosurveillance system

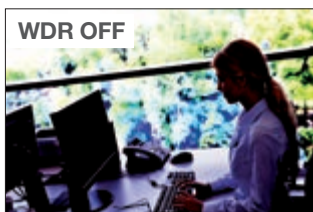
Cameras functions

Hallway function: designed to film vertical shots without losing detail inside the scene, ideal for security applications within hallways or narrow lanes.



HLC function: compensates the image by removing areas with too much light, which could create a ring of glare that could conceal details.

WDR and 3DNR: these are configurable functions guaranteeing perfect visibility and well-defined contours, correcting the images in the event of strong backlighting, overexposure or darkness.



Integration with By-me Plus

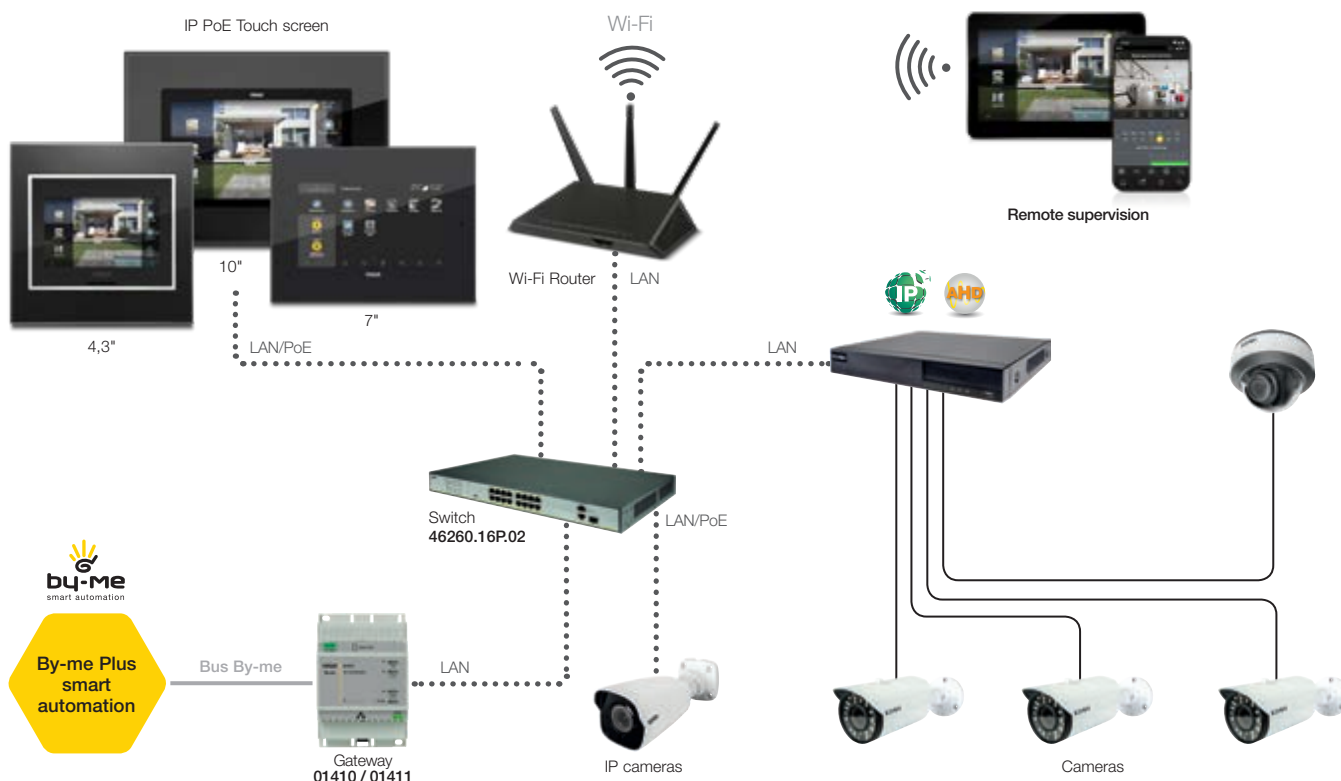
The **CCTV** system, both with **analogue AHD** or **digital IP technology**, is natively integrated into Vimar's VIEW IoT Smart Systems platform, without the need to install a specific gateway (the DVR for AHD cameras, which requires Firmware 1.2.6 or later).

Integration makes it possible, for stand-alone IP cameras (not connected to DVR/NVR) and for IP/AHD cameras connected to NVR/DVR, to view live streaming. These functions are available both locally and remotely via the VIEW app.

To use all the main DVR/NVR management functions on touch screens, you can activate the **By-camera app** from the Customise/Options/Device information, deriving from the specialist version available for By-camera mobile devices.

Integration is not just sharing the user interface but it also applies to the various subsystems, for instance the cameras in the CCTV system can be associated with areas for the By-alarm burglar alarm system (where present) to allow video checking in the event of an alarm. This ensures all-round comfort.

Example of integration of the By-me Plus system with Elvox CCTV.



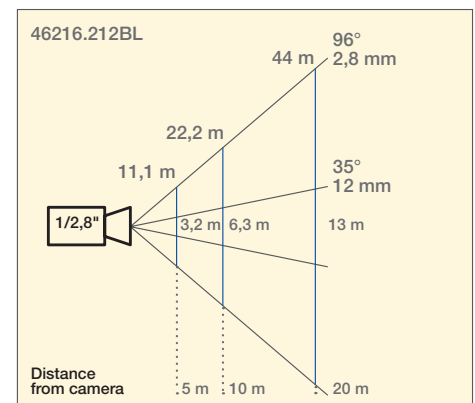
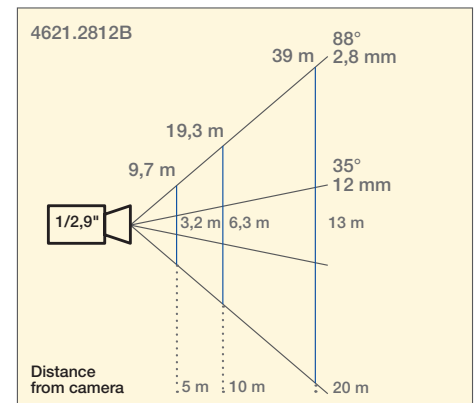
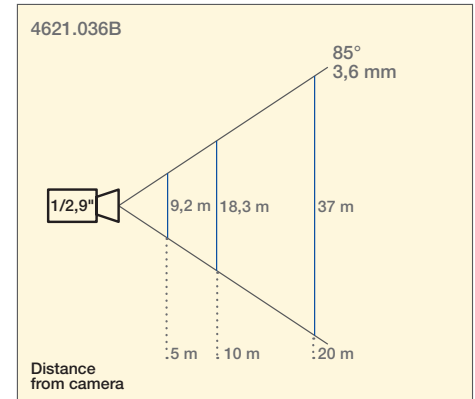
IP Bullet cameras - 2 Mpx



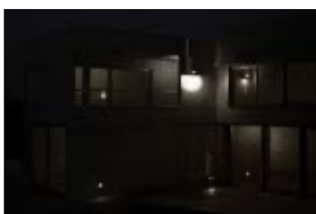
Code	▲ 4621.036B	▲ 4621.2812B	Δ 46216.212BL
Sensor	1/2,9" CMOS Progressive scan	1/2,9" CMOS Progressive scan	1/2,8" CMOS high sensibility sensor
Resolution	1920 x 1080	1920 x 1080	1920 x 1080
Sensitivity	0,0035 lux @F1.2, AGC ON; 0 lux (IR led ON)	0,0035 lux @F1.2, AGC ON; 0 lux (IR led ON)	Color 0,002 lux @F1.2, AGC ON B&W 0,0002 lux @ F1.2, AGC ON
Video compression	H.265 - H.264 - MJPEG	H.265 - H.264 - MJPEG	H264-MJPEG
Day & night	ICR	ICR	ICR
Lens	3,6 mm @ F2,0 (85°)	2,8-12 mm @ F1,4 (88° - 35°)	2,8-12 mm @F1,4 (96° - 35°)
Main frame rate	30 Fps (1920 x 1080) 30 Fps (1280 x 720)	30 Fps (1920 x 1080) 30 Fps (1280 x 720)	30 Fps (1920 x 1080) 30 Fps (1280 x 720)
Secondary frame rate	30 Fps (D1) 30 Fps (CIF) 30 Fps (480 x 240)	30 Fps (D1) 30 Fps (CIF) 30 Fps (480 x 240)	30 Fps (704 x 576) 30 Fps (480 x 240) 30 Fps (352 x 288)
Bit Rate	64 Kbps ~ 6Mbps	64 Kbps ~ 6Mbps	128 kbps ~ 6 Mbs
SD card	Yes, not included (128 GB max)	Yes, not included (128 GB max)	No
Audio In/Out	1/0	1/0	0/0
In/Out alarm	0/0	0/0	0/0
CVBS output video	No	No	No
Intelligent video analysis	-	-	-
Functions	WDR, smart IR, ROI, 3D DNR, mask, motion, HLC, BLC	WDR, smart IR, ROI, 3D DNR, mask, motion, HLC, BLC	D-WDR, 3D-DNR, ROI Privacy Mask, Motion
IR	20-30 m	30-50 m	20 - 30 m
IP/IK degree	IP67/-	IP67/-	IP66
Temperature range	-30°C ~ +60°C	-30°C ~ +60°C	-10° C / +50° C
Power supply/ consumptions	12 Vdc / PoE - 290 mA, 3,5 W	12Vdc / PoE - 450 mA, 5,4 W	12 Vdc / PoE 500 mA, 6 W
Dimensions in mm	75x75x168	81x81x218	87 x 87 x 219
Weight (g)	435	680	635
Notes	RTSP*, multi-stream. Bracket included, installable with contact box: 46922.040	RTSP*, multi-stream. Bracket included, installable with contact box: 46922.040	RTSP*, multi-stream. Bracket included, installable with contact box: 46922.014

* RTSP: function for the connection to By-me Plus home automation system without using NVR or as additional camera for IP video entry systems.

Shooting range



Low Light cameras (46216.212BL)



Shooting from standard camera



Shooting from Low Light camera

The Low Light cameras are characterised for their high sensibility of lighting and are able to guarantee very sharp coloured images even in low light conditions.

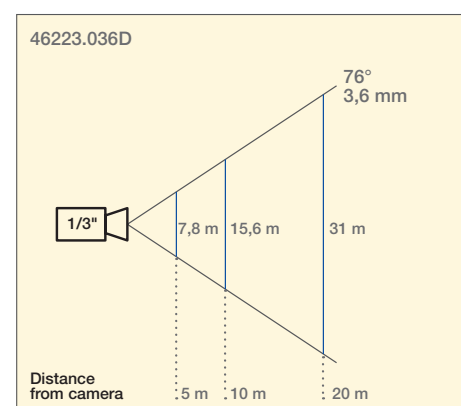
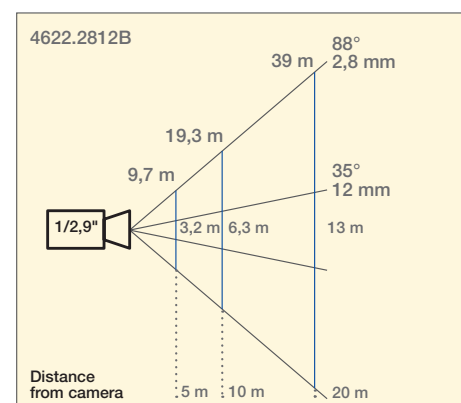
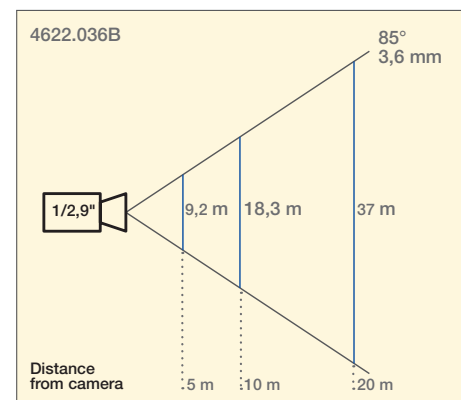
IP Dome cameras - 2 and 4 Mpx



Code	▲ 4622.036B	▲ 4622.2812B	▲ 46223.036D
Sensor	1/2,9" CMOS Progressive scan, 2 Mpx	1/2,9" CMOS Progressive scan, 2 Mpx	1/3" CMOS a Progressive scan, 4 Mpx
Resolution	1920 x 1080	1920 x 1080	2592 x 1520
Sensitivity	0,0035 lux @F1.2, AGC ON; 0 lux (IR led ON)	0,0035 lux @F1.2, AGC ON; 0 lux (IR led ON)	0,05 lux @F1.2, AGC ON; 0 lux (IR led ON)
Video compression	H.265 - H.264 - MJPEG	H.265 - H.264 - MJPEG	H.264 - H.265
Day & night	ICR	ICR	ICR
Lens	3,6 mm @ F2.0 (85°)	2,8-12 mm @ F1.4 (88° - 35°)	3,6 mm @ F1.6 (76°)
Main frame rate	30 Fps (1920 x 1080) 30 Fps (1280 x 720)*	30 Fps (1920 x 1080) 30 Fps (1280 x 720)	30 Fps (2592 x 1520) 30 Fps (2560 x 1440) 30 Fps (2304 x 1296) 30 Fps (1920 x 1080) 30 Fps (1280 x 720)
Secondary frame rate	30 Fps (D1) 30 Fps (CIF) 30 Fps (480 x 240)*	30 Fps (D1) 30 Fps (CIF) 30 Fps (480 x 240)	30 Fps (1280X 720) 30 Fps (D1) 30 Fps (CIF) 30 Fps (480 x 240)
Bit Rate	64 Kbps ~ 6 Mbps	64 Kbps ~ 6 Mbps	128 kbps ~ 9 Mbps
SD card	Yes, not included (128 GB max)	Yes, not included (128 GB max)	Yes, not included (128 GB max)
Audio In/Out	1/0 (MIC built-in)	1/0 (MIC built-in)	1/0 (MIC built-in)
In/Out alarm	0/0	0/0	0/0
CVBS output video	No	No	Yes
Intelligent video analysis	-	-	-
Functions	WDR, smart IR, ROI, 3D DNR, mask, motion, HLC, BLC	WDR, smart IR, ROI, 3D DNR, mask, motion, HLC, BLC	Real WDR, Smart IR, ROI, 3DNR, Mask, Motion, HLC, BLC, Defog
IR	20-30 m	30-50 m	10 m
IP/IK degree	IP67/-	IP67/-	IP66 / IK10
Temperature range	-30°C ~ +60°C	-30°C ~ +60°C	-10° C ~ +50° C
Power supply/ consumptions	12 Vdc / PoE - 300 mA, 3,6 W	12 Vdc / PoE - 450 mA, 5,4 W	12 Vdc / PoE - 240 mA 3 W
Dimensions in mm	ø 95x83	ø 112x100	ø 110 x 58
Weight (g)	430	625	349
Notes	RTSP*, multi-stream. Installable with contact box: 46922.040	RTSP*, multi-stream. Installable with contact box: 46922.041	RTSP*, multi-stream

* RTSP: function for the connection to By-me Plus home automation system without using NVR or as additional camera for IP video entry systems.

Shooting range



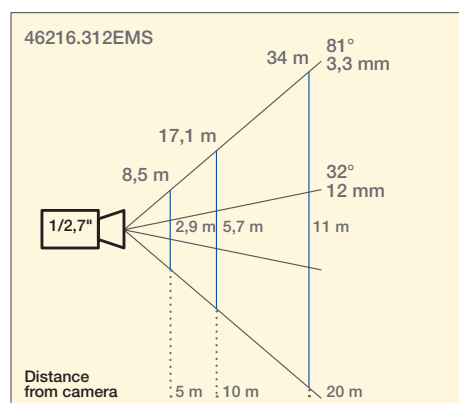
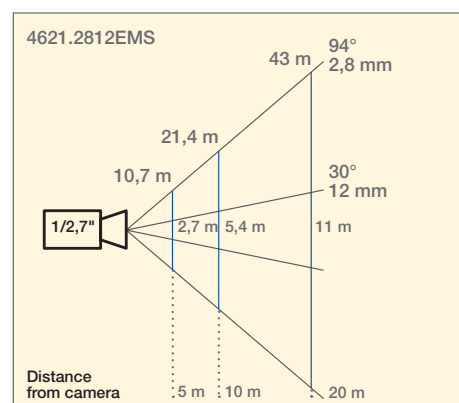
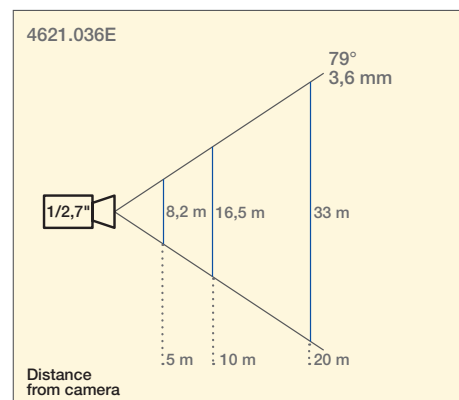
IP Bullet cameras - 5 Mpx



Code	▲ 4621.036E	▲ 4621.2812EMS motorised	Δ 46216.312EMS motorised
Sensor	1/2,7" CMOS Progressive scan	1/2,7" CMOS Progressive scan	1/2,7" CMOS Progressive scan
Resolution	2592 x 1944	2592 x 1944	2592 x 1944
Sensitivity	0,0085 lux @F1.2, AGC ON; 0 lux (IR led ON)	0,0085 lux @F1.2, AGC ON; 0 lux (IR led ON)	0,013 lux @F1.2, AGC ON; 0 lux (IR led ON)
Video compression	H.265 - H.264	H.265 - H.264	H264 - H265 - MJPEG
Day & night	ICR	ICR	ICR
Lens	3,6 mm @F2.0 (79°)	2,8-12 mm @F1.4 (94° - 30°) MOTORISED	3,3-12 mm @ F1.4 (81° - 32°) MOTORISED
Main frame rate	20 Fps (2592 x 1944) 30 Fps (2560 x 1440) 30 Fps (1920 x 1080) 30 Fps (1280 x 720)	20 Fps (2592 x 1944) 30 Fps (2560 x 1440) 30 Fps (1920 x 1080) 30 Fps (1280 x 720)	20 Fps (2592 x 1944) 30 Fps (2592 x 1520) 30 Fps (2560 x 1440) 30 Fps (2304 x 1296) 30 Fps (1920 x 1080) 30 Fps (1280X 720)
Secondary frame rate	15 Fps (1280X 720) 30 Fps (D1) 30 Fps (CIF) 30 Fps (480 x 240)	15 Fps (1280 x 720) 30 Fps (D1) 30 Fps (CIF) 30 Fps (480 x 240)	30 Fps (1280X 720) 30 Fps (D1) 30 Fps (CIF) 30 Fps (480 X 240)
Bit Rate	64 Kbps ~ 5 Mbps	64 Kbps ~ 5 Mbps	128 kbps ~ 10 Mbs
SD card	No	No	No
Audio In/Out	0/0	0/0	0/0
In/Out alarm	0/0	0/0	0/0
CVBS output video	No	No	No
Intelligent video analysis	-	-	-
Functions	WDR, smart IR, ROI, 3D DNR, mask, motion, HLC, BLC, Defog	WDR, smart IR, ROI, 3D DNR, mask, motion, HLC, BLC, Defog	WDR, Smart IR, ROI, 3D DNR, Mask, Motion, HLC, BLC, Defog, Corridor
IR	20-30 m	30-50 m	20-30 m
IP/IK degree	IP67/-	IP67/-	IP66
Temperature range	-30°C ~ +60°C	-30°C ~ +60°C	-20° C / +60° C
Power supply/ consumptions	12 Vdc / PoE - 300 mA, 3,6 W	12 Vdc / PoE - 630 mA, 7,6 W	12 Vdc / PoE - 730 mA 8,8 W
Dimensions in mm	75x75x168	81x81x218	87 x 87 x 219
Weight (g)	405	640	630
Notes	RTSP*, multi-stream. Bracket included, installable with contact box: 46922.040	RTSP*, multi-stream. Bracket included, installable with contact box: 46922.040	RTSP*, multi-stream, Bracket included, installable with contact box 46922.014

* RTSP: function for the connection to By-me Plus home automation system without using NVR or as additional camera for IP video entry systems.

Shooting range

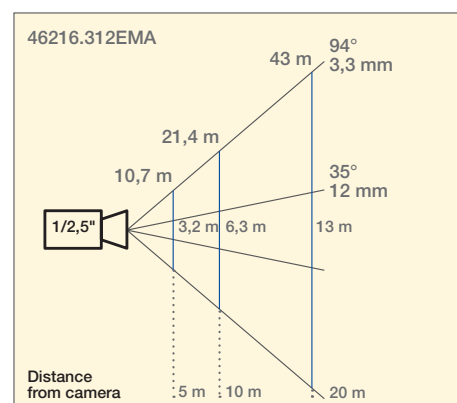
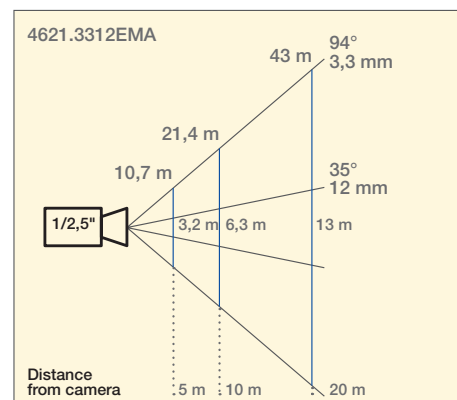


IP Bullet cameras - 5 Mpx



Code	▲ 4621.3312EMA motorised	Δ 46216.312EMA motorised
Sensor	1/2,5" CMOS Progressive scan	1/2,5" CMOS Progressive scan
Resolution	2592 x 1944	2592 x 1944
Sensitivity	0,013 lux @F1.2, AGC ON; 0 lux (IR led ON)	0,036 lux @F2.0, AGC ON; 0 Lux (IR led ON)
Video compression	H.265 - H.264 - MJPEG	H264 - H265 - MJPEG
Day & night	ICR	ICR
Lens	3,3-12 mm @F1.4 (94° - 35°) MOTORISED	3,3-12 mm @F1.4 (94° - 35°) MOTORISED
Main frame rate	30 Fps (2592 x 1944)	30 Fps (2592 x 1944)
	30 Fps (2592 x 1520)	30 Fps (2592 x 1520)
	30 Fps (2560 x 1440)	30 Fps (2560 x 1440)
	30 Fps (2304 x 1296)	30 Fps (2304 x 1296)
	30 Fps (1920 x 1080)	30 Fps (1920 x 1080)
	30 Fps (1280 x 720)	30 Fps (1280 x 720)
Secondary frame rate	15 Fps (1280 x 720)	15 Fps (1280 x 720)
	30 Fps (D1)	30 Fps (D1)
	30 Fps (CIF)	30 Fps (CIF)
	30 Fps (480 X 240)	30 Fps (480 X 240)
Bit Rate	128 Kbps ~ 10 Mbps	128 kbps ~ 10 Mbs
SD card	Yes, not included (128 GB max)	Yes, not included (128GB max)
Audio In/Out	1/1	1/1
In/Out alarm	1/1	1/1
CVBS output video	Yes	Yes
Intelligent video analysis	line crossing, area intrusion, left and removed object and faults, facial recognition	line crossing, area intrusion, left and removed object and faults
Functions	Real WDR, smart IR, ROI, 3D DNR, mask, motion, HLC, BLC, Defog, corridor	Real WDR, Smart IR, ROI, 3D DNR, Mask, Motion, HLC, BLC, Defog, corridor
IR	50-70 m	30-50 m
IP/IK degree	IP67/-	IP66
Temperature range	-30°C ~ +60°C	-20° C / +60° C
Power supply/ consumptions	12 Vdc / PoE - 1 A, 12 W	12 Vdc / PoE - 790 mA 9,5 W
Dimensions in mm	100x89x280	109 x 109 x 264
Weight (g)	1115	1115
Notes	RTSP*, multi-stream. Bracket included, installable with contact box: 46922.041	RTSP*, multi-stream. Bracket included, installable with contact box: 46922.013.

Shooting range

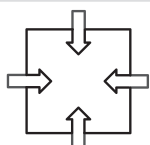


* RTSP: function for the connection to By-me Plus home automation system without using NVR or as additional camera for IP video entry systems.

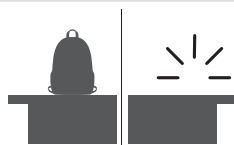
Video analysis applications (4621.3312EMA)



Line crossing



Area intrusion



Left and removed object



Faults (failure or tampering)



Facial detection

The system records all the information about:

- if a person crosses a line or a virtual area (defined in the graphical interface);
 - if an object get remove within the camera shooting area;
 - if the camera has been damaged or is malfunctioning;
 - if the scene contains one or more consistent faces (facial detection) with the minimum dimensions set, facilitating the search for events concerned by people;
- all the events generated are notified to the NVR, activating the recording or the alarm.

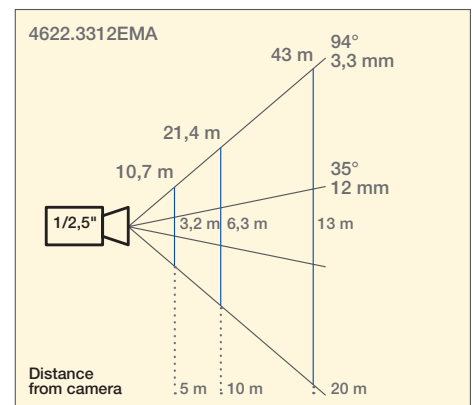
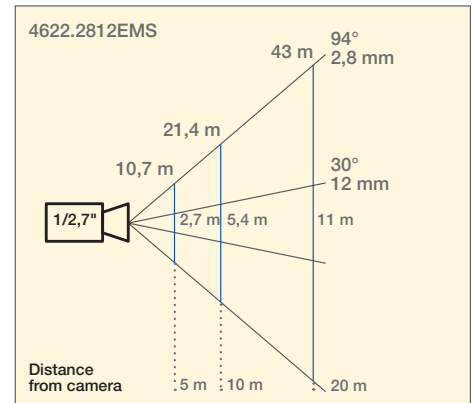
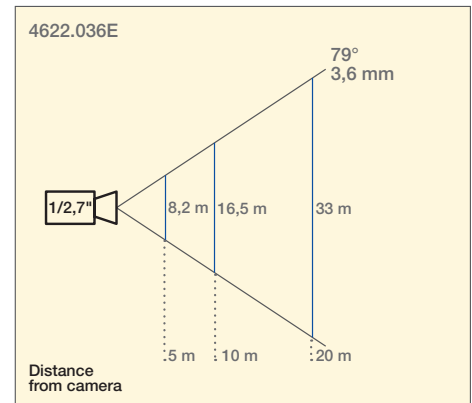
IP Dome cameras - 5 Mpx



Code	▲ 4622.036E	▲ 4622.2812EMS motorised	▲ 4622.3312EMA motorised
Sensor	1/2,7" CMOS Progressive scan	1/2,7" CMOS Progressive scan	1/2,5" CMOS Progressive scan
Resolution	2592 x 1944	2592 x 1944	2592 x 1944
Sensitivity	0,0085 lux @F1.2, AGC ON; 0 lux (IR led ON)	0,0085 lux @F1.2, AGC ON; 0 lux (IR led ON)	0,013 lux @F1.2, AGC ON; 0 lux (IR led ON)
Video compression	H.265 - H.264	H.265 - H.264	H.265 - H.264 - MJPEG
Day & night	ICR	ICR	ICR
Lens	3,6 mm @F2.0 (79°)	2,8-12 mm @F1.4 (94° - 30°) MOTORISED	3,3-12 mm @F1.4 (94° - 35°) MOTORISED
Main frame rate	20 Fps (2592 x 1944) 30 Fps (2560 x 1440) 30 Fps (1920 x 1080) 30 Fps (1280 x 720)	20 Fps (2592 x 1944) 30 Fps (2560 x 1440) 30 Fps (1920 x 1080) 30 Fps (1280 x 720)	30 Fps (2592 x 1944) 30 Fps (2592 x 1520) 30 Fps (2560 x 1440) 30 Fps (2304 x 1296) 30 Fps (1920 x 1080) 30 Fps (1280 x 720)
Secondary frame rate	15 Fps (1280 x 720) 30 Fps (D1) 30 Fps (CIF) 30 Fps (480 x 240)	15 Fps (1280 x 720) 30 Fps (D1) 30 Fps (CIF) 30 Fps (480 x 240)	15 Fps (1280 x 720) 30 Fps (D1) 30 Fps (CIF) 30 Fps (480 x 240)
Bit Rate	64 Kbps ~ 5 Mbps	64 Kbps ~ 5 Mbps	128 Kbps ~ 10 Mbps
SD card	No	No	Yes, not included (128GB max)
Audio In/Out	1/0 (MIC built-in)	1/0 (MIC built-in)	1/1 (MIC built-in)
In/Out alarm	0/0	0/0	1/1
CVBS output video	No	No	Yes
Intelligent video analysis	-	-	line crossing, area intrusion, left and removed object and faults, facial recognition
Functions	WDR, smart IR, ROI, 3D DNR, mask, motion, HLC, BLC, Defog	WDR, smart IR, ROI, 3D DNR, mask, motion, HLC, BLC, Defog	Real WDR, smart IR, ROI, 3D DNR, mask, motion, HLC, BLC, Defog, corridor
IR	20-30 m	30-50 m	30-50 m
IP/IK degree	IP67/-	IP67/-	IP67/IK10
Temperature range	-30°C ~ +60°C	-30°C ~ +60°C	-30°C ~ +60°C
Power supply/consumptions	12 Vdc / PoE - 300 mA, 3,6 W	12 Vdc / PoE - 640 mA, 7,7 W	12 Vdc / PoE - 830 mA, 10 W
Dimensions in mm	Ø 95x83	Ø 112x100	Ø 141x100
Weight (g)	445	600	930
Notes	RTSP*, multi-stream. Installable with contact box: 46922.040	RTSP*, multi-stream. Installable with contact box: 46922.041	RTSP*, multi-stream. Installable with contact box: 46922.042

* RTSP: function for the connection to By-me Plus home automation system without using NVR or as additional camera for IP video entry systems.

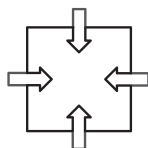
Shooting range



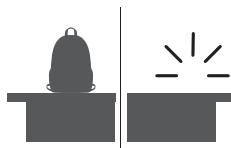
Video analysis applications (4622.3312EMA)



Line crossing



Area intrusion



Left and removed object



Faults (failure or tampering)



Facial detection

The system records all the information about:

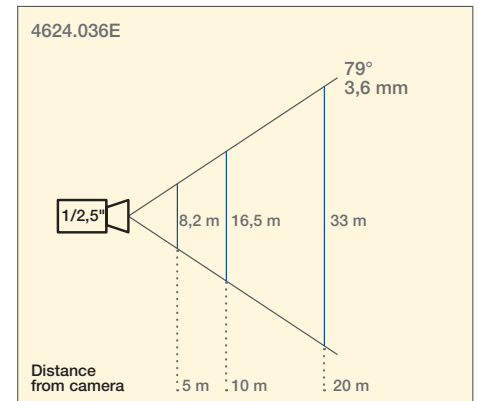
- if a person crosses a line or a virtual area (defined in the graphical interface);
 - if an object get remove within the camera shooting area;
 - if the camera has been damaged or is malfunctioning;
 - if the scene contains one or more consistent faces (facial detection) with the minimum dimensions set, facilitating the search for events concerned by people;
- all the events generated are notified to the NVR, activating the recording or the alarm.

IP Mini Dome cameras - 5 Mpx

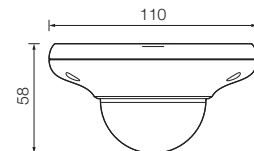


Code	▲ 4624.036E
Sensor	1/2.5" CMOS Progressive scan
Resolution	2592 x 1944
Sensitivity	0,013 lux @F1.2, AGC ON; 0 lux (IR led ON)
Video compression	H.264 - H.265 - MJPEG
Day & night	ICR
Lens	3,6 mm @ F1.6 (79°)
Main frame rate	30 Fps (2592 x 1944) 30 Fps (2592 x 1520) 30 Fps (2560 x 1440) 30 Fps (2304 x 1296) 30 Fps (1920 x 1080) 30 Fps (1280 x 720)
Secondary frame rate	15 Fps (1280 x 720) 30 Fps (D1) 30 Fps (CIF) 30 Fps (480 x 240)
Bit Rate	128 Kbps ~ 10 Mbps
SD card	Yes, not included (128 GB max)
Audio In/Out	1/0 (MIC built-in)
In/Out alarm	0/0
CVBS output video	Yes
Intelligent video analysis	-
Functions	Real WDR, smart IR, ROI, 3D DNR, mask, motion, HLC, BLC, Defog, corridor
IR	10 m
IP/IK degree	IP66/IK10
Temperature range	-30°C ~ +60°C
Power supply/ consumptions	12 Vdc / PoE - 280 mA, 3,4 W
Dimensions in mm	ø 110x58
Weight (g)	349
Notes	RTSP*, multi-stream

Shooting range



Dimensions in mm



* RTSP: function for the connection to By-me Plus home automation system without using NVR or as additional camera for IP video entry systems.

IP Bullet cameras - 4K

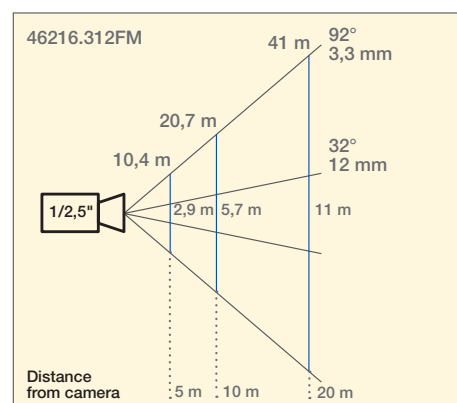
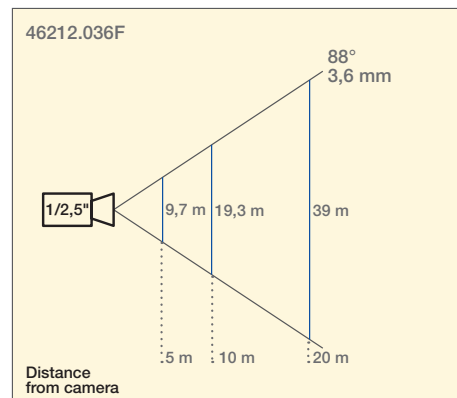

4K

4K

Code	46212.036F	46216.312FM motorised
Sensor	1/2,5" CMOS Progressive scan	1/2,5" CMOS Progressive scan
Resolution	3840 x 2160	3840 x 2160
Sensitivity	0,024 lux @F1.2, AGC ON; 0 lux (IR led ON)	0,01 lux @F1.2, AGC ON; 0 lux (IR led ON)
Video compression	H.265 - H.264 - MJPEG	H.265 - H.264
Day & night	ICR	ICR
Lens	3,6 mm @F1.6 (88°)	3,3-12 mm @F1.4, (92° - 32°) MOTORISED
Main frame rate	30 Fps (3840 x 2160) 30 Fps (2560 X 1440) 30 Fps (2304 X 1296) 30 Fps (1920 X 1080) 30 Fps (1280X 720)	30 Fps (3840 x 2160) 30 Fps (2560 x 1440) 30 Fps (2304 x 1296) 30 Fps (1920 X 1080) 30 Fps (1280 x 720)
Secondary frame rate	30 Fps (1920 X 1080) 30 Fps (1280X 720) 30 Fps (D1) 30 Fps (CIF) 30 Fps (480 X 240)	30 Fps (1920 x 1080) 30 Fps (1280 x 720) 30 Fps (D1) 30 Fps (CIF) 30 Fps (480 x 240)
Bit Rate	128 Kbps ~ 12 Mbps	128 kbps ~ 9 Mbs
SD card	No	Yes, not included (128 GB max)
Audio In/Out	1/0	1/1
In/Out alarm	0/0	1/1
CVBS output video	Yes	Yes
Intelligent video analysis	-	-
Functions	Real WDR, smart IR, ROI, 3D DNR, mask, motion, HLC, BLC, Defog, corridor	WDR, smart IR, ROI, 3DNR, Mask, Motion, HLC, BLC, Defog
IR	20-30 m	30 - 50 m
Grado IP	IP66/-	IP66/-
Temperature range	-20°C ~ +60°C	-20° C / + 60° C
Power supply/ consumptions	12 Vdc / PoE - 500mA, 6W	12 Vdc / PoE - 760 mA 9,2 W
Dimensions in (mm)	Ø 87 x 219	109 x 109 x 264
Weight (g)	630	1115
Notes	RTSP*, multi-stream. Bracket included, installable with contact box: 46922.014	RTSP*, multi-stream. Bracket included. Installable with contact box: 46922.013

* RTSP: function for the connection to By-me Plus home automation system without using NVR or as additional camera for IP video entry systems.

Shooting range



IP Dome varifocal cameras - 4K



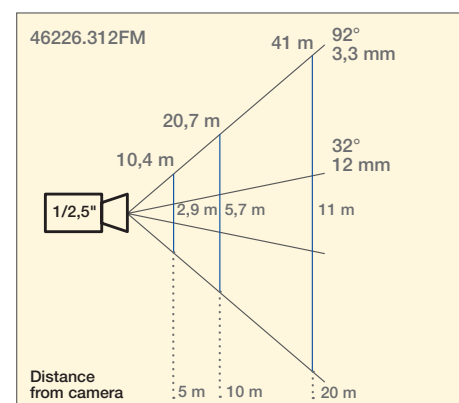
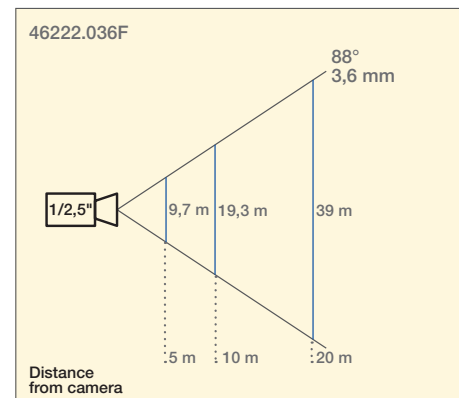
4K



4K

Code	46222.036F	46226.312FM
Sensor	1/2,5" CMOS Progressive scan	1/2,5" CMOS Progressive scan
Resolution	3840 x 2160	3840 x 2160
Sensitivity	0,024 lux @F1.2, AGC ON; 0 lux (IR led ON)	0,01 lux@F1.2, AGC ON; 0 Lux (IR led ON)
Video compression	H.265 - H.264 - MJPEG	H.265 - H.264
Day & night	ICR	ICR
Lens	3,6 mm @F1.6 (88°)	3,3-12 mm @F1.4 (92° - 32°) MOTORIZED
Main frame rate	30 Fps (3840 x 2160) 30 Fps (2560 x 1440) 30 Fps (2304 x 1296) 30 Fps (1920 x 1080) 30 Fps (1280 x 720)	30 Fps (3840 x 2160) 30 Fps (2560 x 1440) 30 Fps (2304 x 1296) 30 Fps (1920 x 1080) 30 Fps (1280 x 720)
Secondary frame rate	30 Fps (1920 x 1080) 30 Fps (1280 x 720) 30 Fps (D1) 30 Fps (CIF) 30 Fps (480 x 240)	30 Fps (1920 x 1080) 30 Fps (1280 x 720) 30 Fps (D1) 30 Fps (CIF) 30 Fps (480 x 240)
Bit Rate	128 Kbps ~ 12 Mbps	128 kbps ~ 9 Mbps
SD card	Yes, not included (128GB max)	Yes, not included (128 GB max)
Audio In/Out	1/0	1/1
In/Out alarm	0/0	1/1
CVBS output video	Yes	Yes
Intelligent video analysis	-	-
Functions	Real WDR, smart IR, ROI, 3D DNR, mask, motion, HLC, BLC, Defog, corridor	WDR, Smart IR, ROI, 3DNR, Mask, Motion, HLC, BLC, Defog
IR	10 - 20 m	20 - 30 m
IP/IK degree	IP66 / IK10	IP66 / IK10
Temperature range	-20° C ~ +60° C	-20° C / +60° C
Power supply/ consumptions	12 Vdc / PoE - 450 mA 5,4 W	12 Vdc / PoE - 640 mA 7,7 W
Dimensions in (mm)	Ø 117 x 90	Ø 150 x 114
Weight (g)	630	1260
Notes	RTSP*, multi-stream,	RTSP*, multi-stream. Installable with contact box: 46922.012.01

Shooting range



* RTSP: function for the connection to By-me Plus home automation system without using NVR or as additional camera for IP video entry systems.

Special cameras



Micro+
Speaker

Wi-Fi or
RJ45



built-in
Micro

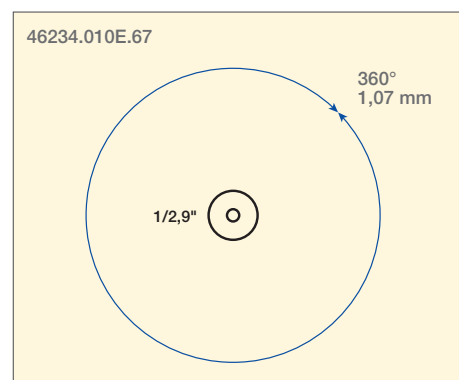
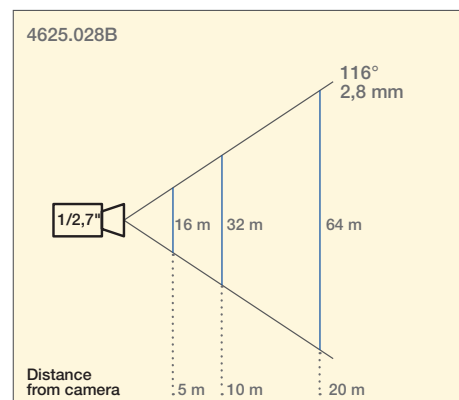
View
360°

Code	▲ 4625.028B	46234.010E.67
Sensor	1/2,7" CMOS Progressive scan, 2 Mpx	1/2,9" CMOS Progressive scan, 5 Mpx
Resolution	1920 x 1080	3096 x 2202 (2160 x 2160 overview)
Sensitivity	0,007 lux @F1.2, AGC ON; 0 lux (IR led ON)	0,024 lux @F1.2, AGC ON; 0 Lux (IR led ON)
Video compression	H.264 - H.265 - MJPEG	H.264 - H.265
Day & night	ICR	ICR
Lens	2,8 mm @F1.85 (116°)	1,07 mm @ F2.5 view angle: 180° (surface), 360° (ceiling)
Main frame rate	30 Fps (1920 x 1080) 30 Fps (1280 x 720) 30 Fps (D1) 30 Fps (CIF) 30 Fps (480 x 240)	1) Fisheye+overview+3 PTZ 30 Fps (2160 x 2160/1920 x 1920/ 1440 x 1440) 30 Fps (1920 x 1080) 30 Fps (960 x 540) x 3 2) Fisheye+4 PTZ 30 Fps (2160 x 2160/1920 x 1920 / 1440 x 1440) 30 Fps (960 x 540) x 4
Secondary frame rate	30 Fps (D1) 30 Fps (CIF) 30 Fps (480 x 240)	30 Fps (960 x 960) 30 Fps (960 x 540) 30 Fps (704 x 576) 30 Fps (480 x 480) 30 Fps (480 x 240)
Bit Rate	128 Kbs ~ 6 Mbs	128 kbps ~ 10 Mbps
SD card	Yes, not included (128 GB max)	Yes, not included (128 GB max)
Audio In/Out	1 integrated MIC and SPEAKER	1/1 (built-in MIC)
In/Out alarm	1/1	1/1
CVBS output video	No	Yes
Intelligent video analysis	-	-
Functions	Digital WDR, smart IR, ROI, 3D-DNR, mask, motion, HLC, BLC, defog, corridor, PIR	WDR, ROI, 3D-DNR, Mask, Motion, HLC, BLC
IR	10 m	20-30 m
IP/IK degree	-/-	IP67/-
Temperature range	0°C + 45°C	-10° C / +50° C
Power supply/ consumptions	12 Vdc / PoE - 220 mA, 2,7 W	12 Vdc / PoE - 880 mA, 10,6 W
Dimensions in mm	72 x 72 x 130	ø 130 x 39
Weight (g)	185	432
Notes	IEEE802.11b/g/n - 2,4GHz RTSP*, multi-stream, bracket included, PIR range 7 m	RTSP*, multi-stream. Installable with contact box: 46922.019

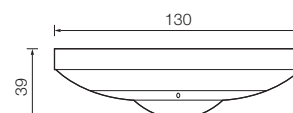
* RTSP: function for the connection to By-me Plus home automation system without using NVR or as additional camera for IP video entry systems.

** The Fisheye camera code 46234.010E.67 is matchable with NVR: 46241.H16, 46241.F32H, 46241.H64, 46NVR.64

Shooting range



Dimensions in mm



IP Fisheye cameras bracket



46922.019

Bracket with contact box, for surface or ceiling mounting

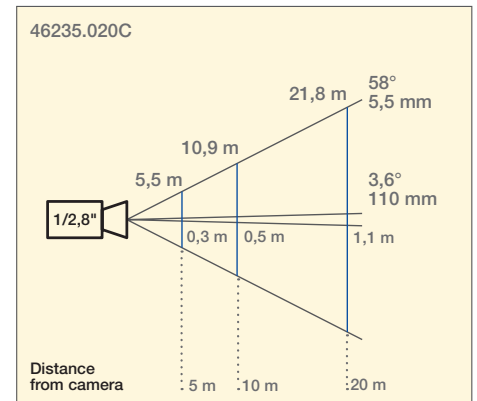
IP PTZ (Speed Dome) cameras - 3 Mpx



20x

Modello	Δ 46235.020C
Sensor	1/2,8" CMOS progressive scan, 3 Mpx
Resolution	2048 x 1536
Sensitivity	0 Lux (IR LED ON)
Video compression	H.264 - H.265
Day & night	ICR
Lens	optical zoom 20x (5,5 - 110 mm)
Angolo di visione	58° Wide - 3,6° Tele
Main frame rate	30 Fps (2048 x 1536) 30 Fps (1920 x 1080) 30 Fps (1280 x 720)
Secondary frame rate	30 Fps (D1) 30 Fps (CIF) 30 Fps (480 x 240)
Bit Rate	64 kbps / 8 Mbps
Limite Pan/Tilt	360° continue 0° a 90° auto Flip
Preset	255
Patrol /Patern	8/4
Control	RS485
SD card	Yes, not included (128 GB max)
Audio In/Out	1/1
In/Out alarm	7/1
CVBS output video	Yes (video test)
Functions	WDR, Smart-IR, DeFog, BLC, 3D DNR
IR	Progressive smart IR with zoom up to 100 m
Grado IP	IP66
Temperature range	-30° C / +60° C
Power supply/consumptions	24 Vac (65 W with IR active heater)
Dimensions in (mm)	ø 216 x 349 only camera
Weight (g)	5000
Notes	RTSP*, multi-stream. Bracket and power supply unit included.

Shooting range



* RTSP: function for the connection to By-me Plus home automation system without using NVR.

PTZ cameras brackets



Δ 46917.002
Pole bracket for Speed Dome (PTZ) and Bullet IP

Keypad for PTZ cameras control



46916.004
IP keypad for IP PTZ control, manages simultaneously 10 devices, 3-axis control. Power supply unit 12 Vdc (included)

NVR H.265 Real Time up to 8 Mpx



Code	▲ 46NVR.04P	▲ 46NVR.08P	▲ 46NVR.16	▲ 46NVR.16P
Video input	4 Ch	8 Ch	16 Ch	16 Ch
PoE ports	4	8	-	16
Hard disk	1 TB Professional	1 TB Professional	2 TB Professional	2 TB Professional
Fisheye camera	-	-	-	-
Recording resolution	Real time 8MP 4 CH @ 100 Fps	Real time 8MP 8 CH @ 200 Fps	Real time 8MP 16 CH @ 400 Fps	Real time 8MP 32 CH @ 800 Fps
Video compression	H.264, H.265	H.264, H.265	H.264, H.265	H.264, H.265
Operating mode	Pentaplex	Pentaplex	Pentaplex	Pentaplex
Bandwidth input /output	40/40 (Mbps)	80/80 (Mbps)	112/112 (Mbps)	112/112 (Mbps)
Video output	1 HDMI, 1 VGA	1 HDMI, 1 VGA	1 HDMI, 1 VGA	1 HDMI, 1 VGA
Audio In/Out	1 / 1	1 / 1	1 / 1	1 / 1
VGA/HDMI resolution	1080p / 4K	1080p / 4K	1080p / 4K	1080p / 4K
In/Out alarm	-/-	-/-	4/1	-/-
Network interface	1 RJ45 - 10/100/1000Mbps	1 RJ45 - 10/100/1000Mbps	1 RJ45 - 10/100/1000Mbps	1 RJ45 - 10/100/1000Mbps
Hard disk interface	1 SATA (max 8 TB)	1 SATA (max 8 TB)	2 SATA (max 8 TB)	2 SATA (max 8 TB)
Plug&Play	on built-in PoE switch (4CH IEEE802.3af)	on built-in PoE switch (8CH IEEE802.3af)	-	on built-in PoE switch (16CH IEEE802.3af)
USB interface	2	2	2	2
RS485	No	No	Yes	No
PTZ control	Yes	Yes	Yes	Yes
CVM	Yes	Yes	Yes	Yes
QR CODE	Yes	Yes	Yes	Yes
Smartphone control	Android , iPhone	Android , iPhone	Android , iPhone	Android , iPhone
Video analysis	Yes *	Yes *	Yes *	Yes *
Privacy filter	Yes	Yes	Yes	Yes
Interface	mouse, remote control	mouse, remote control	mouse, remote control	mouse, remote control
Power supply/ consumptions (PoE and HDD not included)	+48 V 1,25 A / 10 W (per supply unit)	+48 V 2,5 A / 10 W (per supply unit)	+12 V 3 A / 15 W	+48 V 3,75 A / 15 W (per supply unit)
Operating temperature	0÷50 °C	0÷50 °C	0÷50 °C	0÷50 °C
Cooling fan	No	No	Yes	Yes
Dimensions in	300x248x52 mm	300x248x52 mm	380x269x52 mm	380x269x52 mm
Weight (kg)	1,2 (HDD not included)	1,2 (HDD not included)	1,5 (HDD not included)	2 (HDD not included)
Notes	compatible with USB alarms extension	compatible with USB alarms extension	1 rack unit, compatible with USB alarms extension	1 rack unit, compatible with USB alarms extension

PENTAPLEX: DVR/NVR are able to manage in real time, search recorded images, back-up (images copying), remote visualization (e.g.: from internet).

* Compatible with cams with intelligent video analysis.

USB alarms extension



▲ 46936.001

USB alarms extension enables to increase/add alarm contacts inputs and outputs into NVR and DVR

Characteristics

Connection type	USB
Alarm inputs	16
Alarm outputs	6
USB	USB2.0 × 1
Operating temperature	- 10°C ~ 50°C
Operating humidity	10% ~ 90%
Supply voltage	5 V / 1 A
Consumption	≤ 5 W

Alarms extension compatibility - NVR/DVR

NVR	46NVR.04P	Yes	46241.H04	No
	46NVR.08P	Yes	46241.H08	No
	46NVR.16	Yes	46241.H16	No
	46NVR.16P	Yes	46241.H64	No
	46NVR.032	Yes	46NVR.64	No
DVR	46540.D04.01	Yes	46540.F04	No
	46540.D08.01	Yes	46540.F08	No
	46540.D16.01	Yes	46540.H16	No

NVR H.265 Real Time up to 8 Mpx



Code	▲ 46NVR.32	▲ 46NVR.64
Video input	32 Ch	64 Ch
PoE ports	-	-
Hard disk	2 TB Professional	Not included
Fisheye camera	-	Matchable
Recording resolution	Real time 8MP 32 CH @ 800 Fps	Real time 8MP 64 CH @ 1600 Fps
Video compression	H.264, H.265	H.264, H.265
Operating mode	Pentaplex	Pentaplex
Bandwidth input /output	112/112 (Mbps)	320/320 (Mbps)
Video output	1 HDMI, 1 VGA	2 HDMI, 1 VGA
Audio In/Out	1 / 1	1 / 1
VGA/HDMI resolution	1080p / 4K	1080p / 4K - 1080p
In/Out alarm	4/1	8/4
Network interface	1 RJ45 - 10/100/1000 Mbps	2 RJ45 - 10/100/1000Mbps
Hard disk interface	2 SATA (max 8 TB)	8 SATA (max 8 TB) 2 E-SATA (max 8 TB)
Plug&Play	-	-
USB interface	2	3 (2x 2.0 + 1 x 3.0)
RS485	Yes	Yes
PTZ control	Yes	Yes
CVM	Yes	Yes
QR CODE	Yes	Yes
Smartphone control	Android , iPhone	Android , iPhone
Video analysis	Yes *	Yes *
Privacy filter	Yes	Yes
Interface	mouse, remote control	mouse, remote control
Power supply/ consumptions (PoE and HDD not included)	+12 V 3 A / 15 W	Ac 110/230 V / 15 W (inner supply unit)
Operating temperature	0÷50 °C	0÷50 °C
Cooling fan	Yes	Yes
Dimensions in	380x269x52 mm	445x436x100 mm
Weight (kg)	1,5 (HDD not included)	4,5 (HDD not included)
Notes	1 rack unit, compatible with USB alarms extension	2 rack units, Raid configuration 0-1-5-6-10

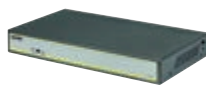
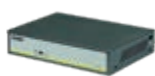
PENTAPLEX: DVR/NVR are able to manage in real time, search recorded images, back-up (images copying), remote visualization (e.g.: from internet).

* Compatible with cams with intelligent video analysis.



By-camera app available on Vimar site or
Apple and Google Play stores

PoE Ethernet switch



Code	46260.5P.02	46260.10P.02	46260.16P.02
Standard PoE	802.3af/at (PSE)	802.3af/at (PSE)	IEEE802.3af/at (PSE)
Ports	5	10	16
Downlink ports	4 10/100/1000 BASE-T (PoE+)	8 10/100/1000 BASE-T (PoE+)	16 10/100 BASE-TX (PoE+)
Uplink ports	1 10/100/1000 BASE-T	2 10/100/1000 BASE-T	2 10/100/1000 BASE+T+1, 1000 BASE-X (combo)
Network standard	IEEE 802.3 IEEE 802.3u IEEE 802.3ab IEEE 802.3x	IEEE 802.3 IEEE 802.3u IEEE 802.3ab IEEE 802.3x	IEEE 802.3 IEEE 802.3u IEEE 802.3ab IEEE 802.3z
Switching capacity	10 Gbit/s	20 Gbit/s	7,2 Gbit/s
Packet switching	7,44 Mp/s	14 Mp/s	5,36 Mp/s
Exchange type	Store and Forward	Store and Forward	-
Buffer	-	1 M	2,75 M
MAC addresses	2K	4K	4K
Immunity to transitional overvoltage	6 kV: IEC61000-4-5	6 kV: IEC61000-4-5	6 kV: IEC61000-4-5
Protection from electrostatic discharge (ESD)	6 kV (discharge to contact) 8 kV (discharge to air) According to: IEC61000-4-2	6 kV (discharge to contact) 8 kV (discharge to air) According to: IEC61000-4-2	6 kV (discharge to contact) 8 kV (discharge to air) According to: IEC61000-4-2
PoE Power Output (per port)	54 Vdc 30 W max	54 Vdc 30 W max	54 Vdc 30 W max
Total PoE Power	60 W max	120 W max	180 W max
PoE mode	End-Span	End-Span	End-Span
PoE supply	1/2(+), 3/6(-)	1/2(+), 3/6(-)	1/2(+), 3/6(-)
Voltage/consumptions	input: 100-240 Vac, 2 A output: 54 Vdc, 1,1 A	input: 100-240 Vac, 2 A output: 54 Vdc, 1,1 A	100-240 Vac, 2 A
Absorbed power	5 W	5 W	-
Operating temperature	-10° C / +55° C	-10° C / +45° C	-10° C / +45° C
Operating humidity (without condensation)	5% / 95%	5% / 95%	5% / 95%
Dimensions in (mm)	135 x 85,6 x 27	200 x 101,8 x 27	442 x 285 x 44,5
Weight (g)	315 g	500 g	
Notes	TVCC mode: the downlink ports transmit to the uplink ports, only	TVCC mode: the downlink ports transmit to the uplink ports, only	TVCC mode: the downlink ports transmit to the uplink ports, only

USB alarms extension



▲ 46936.001

USB alarms extension enables to increase/add alarm contacts inputs and outputs into NVR and DVR

Characteristics	
Connection type	USB
Alarm inputs	16
Alarm outputs	6
USB	USB2.0 x 1
Operating temperature	- 10°C ~ 50°C
Operating humidity	10% ~ 90%
Supply voltage	5 V / 1 A
Consumption	≤ 5 W

Alarms extension compatibility - NVR/DVR

NVR	46NVR.04P	Yes	46241.H04	No
	46NVR.08P	Yes	46241.H08	No
	46NVR.16	Yes	46241.H16	No
	46NVR.16P	Yes	46241.H64	No
	46NVR.032	Yes	46NVR.64	No
DVR	46540.D04.01	Yes	46540.F04	No
	46540.D08.01	Yes	46540.F08	No
	46540.D16.01	Yes	46540.H16	No

NVR H.265 Real Time up to 8 Mpx



Code	Δ 46241.H04	Δ 46241.H08	Δ 46241.H16	Δ 46241.H64
Video input	4 Ch	8 Ch	16 Ch	64 Ch
PoE ports	4	8	-	-
Hard disk	1 TB Professional	1 TB Professional	2 TB Professional	Not included
Fisheye camera	-	-	Compatible	Matchable
Recording resolution	Real Time 5 Mpx 4 CH @ 100 Fps	Real Time 8 Mpx 8 CH @ 200 Fps	Real Time 8 Mpx 16 CH @ 400 Fps	Real Time 8 Mpx 64 CH @ 1600 Fps
Video compression	H.264 - H.265	H.264 - H.265	H.264 - H.265	H.264 - H.265
Operating mode	PENTAPLEX	PENTAPLEX	PENTAPLEX	PENTAPLEX
Video output	1 HDMI	1 HDMI, 1 VGA	1 HDMI, 1 VGA	2 HDMI, 1 VGA
Audio In/Out	- / 1	1 / 1	1 / 1	1 / 1
VGA/HDMI resolution	- / 1080p	1080p / 4K	1080p / 4K	1080p / 4K - 1080
In/Out alarm	-	-	-	8 / 4
Network interface	1 RJ45 10/100 Mbps	1 RJ45 10/100 Mbps	1 RJ45 10/100/1000 Mbps	2 RJ45 10/100/1000 Mbps
Hard disk interface	1 SATA (max 6 TB)	1 SATA (max 6 TB)	2 SATA (max 6 TB)	8 SATA (max 6 TB) 2 E-SATA
Plug&Play	Yes (on built-in PoE switch, 4 PoE AF ports)	Yes (on built-in PoE switch, 8 PoE AF ports)	-	-
USB interface	2	2	2	3
RS485	No	No	No	Yes
PTZ control	Yes	Yes	Yes	Yes
CVM	Yes	Yes	Yes	Yes
QR CODE	Yes	Yes	Yes	Yes
Smartphone control	Android, iPhone	Android, iPhone	Android, iPhone	Android, iPhone
Video analysis	-	Yes *	Yes *	Yes *
Privacy filter	Yes	Yes	Yes	Yes
Interface	Mouse, remote control	Mouse, remote control	Mouse, remote control	Mouse, remote control
Power supply/ consumptions (PoE and HDD not included)	48 V 1,25 A / 5 W (single supply unit)	48 V 2,5 A / 5 W (single supply unit)	12 V 4 A / 15 W	110/230 V / 15 W (inner supply unit)
Operating temperature	0° C / +50° C	0° C / +50° C	0° C / +50° C	0° C / +50° C
Cooling fan	No	No	No	Yes
Dimensions in	300 x 248 x 52	300 x 248 x 52	380 x 269 x 52	430 x 450 x 90
Weight (kg)	1000	1200	1500	4500
Notes			1 rack unit	2 rack units

PENTAPLEX: DVR/NVR are able to manage in real time, search recorded images, back-up (images copying), remote visualization (e.g.: from internet).

* Compatible with cams with intelligent video analysis.



By-camera app available on Vimar site or
Apple and Google Play stores

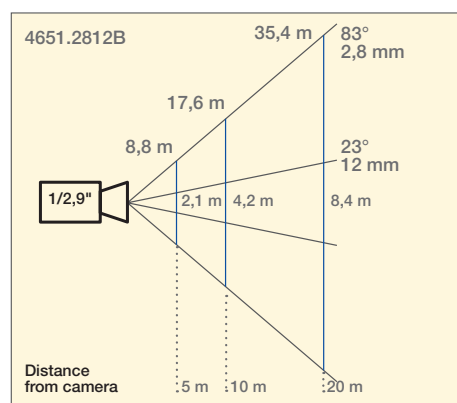
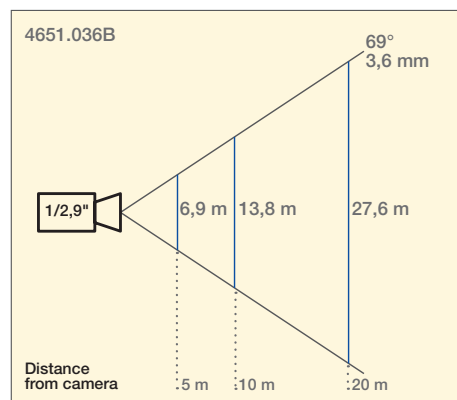
Videosurveillance system 

AHD Bullet cameras - 1080p (Full-HD)



Code	▲ 4651.036B	▲ 4651.2812B
Sensor	1/2,9" CMOS	1/2,9" CMOS
Real pixel	1932 (H) x1088 (V)	1932 (H) x1088 (V)
Resolution	1080p / 720p	1080p / 720p
Video output	AHD / TVI / CVI / CVBS	AHD / TVI / CVI / CVBS
Sensitivity	0 Lux (IR LED ON)	0 Lux (IR LED ON)
Day & night	Mechanical ICR	Mechanical ICR
Lens	3,6 mm	2,8-12 mm
View angle	69 °	83 ° - 23 °
S/N ratio	52 dB	52 dB
Shutter speed (PAL)	AUTO	AUTO
Joystick	Yes	Yes
Functions	3DNR, Smart-IR, BLC, D-WDR, AGC	3DNR, Smart-IR, BLC, D-WDR, AGC
OSD via CoC	Yes	Yes
IR	18 m	35m
IP degree	IP66	IP66
Temperature range	-30 / + 60 °C	-30 / + 60 °C
Power supply/ consumptions	12 V 350 mA	12 V 600 mA
Dimensions in (mm)	167 x 70 x 84	231 x 84 x 110
Weight (g)	490	720
Notes	Installable with bracket for pole 46917.004 and contacts boxes 46922.030 and 46922.033	Installable with bracket for pole 46917.004 and contacts boxes 46922.030 and 46922.033

Shooting range



Videosurveillance system

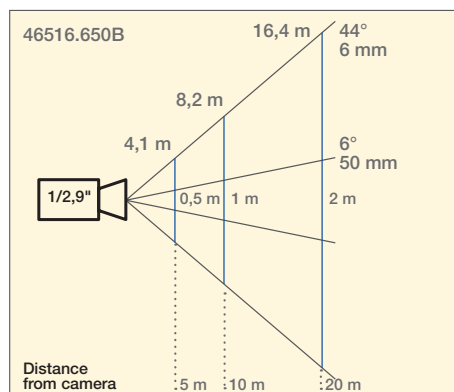
AHD Bullet cameras - 1080p (Full-HD)



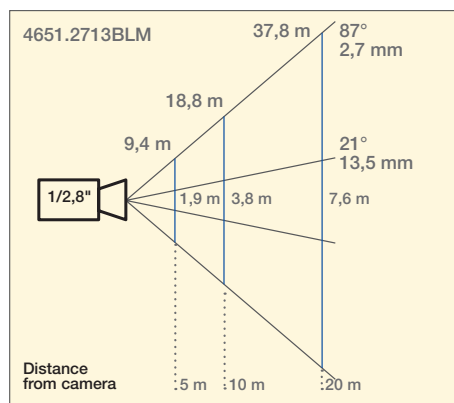
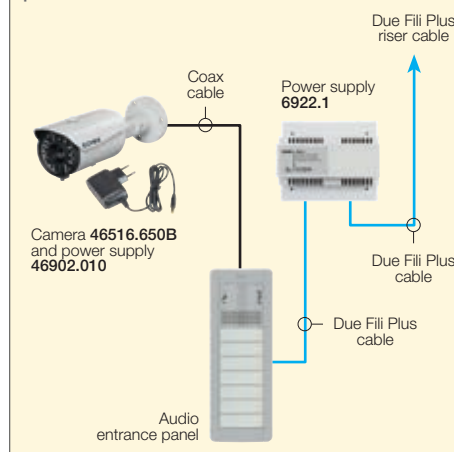
Low Light
no IR

Code	46516.650B	▲ 4651.2713BLM
Sensor	1/2,9" CMOS	1/2,8" CMOS
Real pixel	1985 x 1105	1945 (H) x 1097 (V)
Resolution	1080p 25Fps	1080p
Video output	AHD/CVBS	AHD /CVBS
Sensitivity	0 Lux (IR LED ON)	Color 0,05 lux @F1.3 B&W 0,005 lux @ F1.3
Day & night	Colour/B&W	Colour/B&W
Lens	6-50 mm	2,7-13,5 mm motorised
View angle	44° - 6°	87° - 21°
S/N ratio	52 dB	56 dB
Shutter speed (PAL)	AUTO , FLK , 1/50 s - 1/100000 s x2-x30	AUTO , FLK , 1/25 s - 1/25600 s
Joystick	Yes	Yes
Functions	2D 3DNR, BLC, HSBC, LSC, D-WDR, WB, AGC, DPC, Mirror, Motion, Privacy, Defog	DNR, Smart-IR, BLC, HLC, D-WDR, AGC, Freeze, Flip, Defog, Motion
OSD via CoC	Yes	Yes
IR	45-50 m	/
IP degree	IP66	IP66
Temperature range	-30 / + 60 °C	-30 / + 60 °C
Power supply/ consumptions	12V dc 630mA	12 V - 120 mA
Dimensions in (mm)	231 (L) x 84(Ø)	231 x 84 x 110
Weight (g)	690	720
Notes	Installable with bracket for pole 46917.004 and contacts boxes 46922.030 and 46922.033	Installable with bracket for pole 46917.004 and contacts boxes 46922.030 and 46922.033

Shooting range



Example of connection for Due Fili Plus entrance panel with camera 46516.650B



Low Light cameras (4651.2713BLM)



Shooting from standard camera



Shooting from Low Light camera

The Low Light cameras are characterised for their high sensibility of lighting and are able to guarantee very sharp coloured images even in low light conditions.

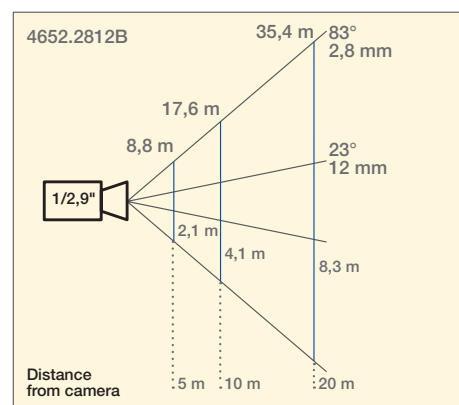
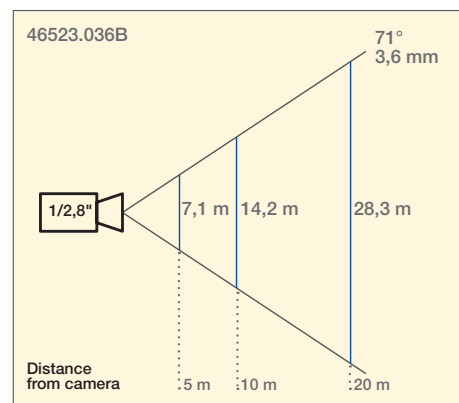
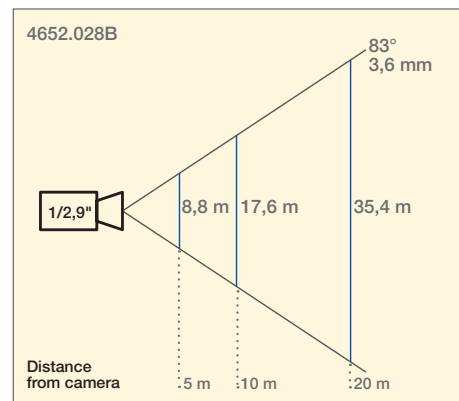
Videosurveillance system

AHD Dome cameras - 1080p (Full-HD)



Code	▲ 4652.028B	46523.036B	▲ 4652.2812B
Sensor	1/2,9" CMOS	1/2,8" CMOS	1/2,9" CMOS
Real pixel	1932 (H) x 1088 (V)	1984 x 1105	1932 (H) x 1088 (V)
Resolution	1080p / 720p	1080p	1080p / 720p
Video output	AHD / TVI / CVI / CVBS	AHD / CVBS	AHD / TVI / CVI / CVBS
Sensitivity	0 Lux (IR LED ON)	0 Lux (IR LED ON)	0 Lux (IR LED ON)
Day & night	Mechanical ICR	Mechanical ICR	Mechanical ICR
Lens	2,8 mm	3,6 mm	2,8-12 mm
View angle	83 °	71 °	83 - 23 °
S/N ratio	52 dB	50 dB	52 dB
Shutter speed (PAL)	AUTO	AUTO/FLICKER 1/25 - 1/50.000 s x2 - x30	AUTO
Joystick	Yes	Yes	Yes
Functions	3DNR, Smart-IR, BLC, D-WDR, AGC	2DNR, 3DNR, Smart-IR, BLC, HSBLC, D-WDR, WHITE-BAL, AGC, Defect, Defog, Motion, Alarm, Privacy, Mirror, V-Flip, Rotate, Neg-Img, Freeze	3DNR, Smart-IR, BLC, D-WDR, AGC
OSD via CoC	Yes	Yes	Yes
IR	15 m	10 LED, 5 m	20 m
IP degree	IP66	IP66	IP66
Temperature range	-30 / + 60 °C	-10° C / +50° C	-30 / + 60 °C
Power supply/ consumptions	12 V 350 mA	12 V 300 mA	12 V 400 mA
Dimensions in (mm)	80(H) x 94 (Ø)	50 x 54 x 54	100(H) x 120 (Ø)
Weight (g)	320	300	610
Notes	Installable with bracket for pole 46917.004 and contacts box 46922.030		Installable with bracket for pole 46917.004 e and contacts boxes 46922.031, 46922.032 and 46922.033

Shooting range



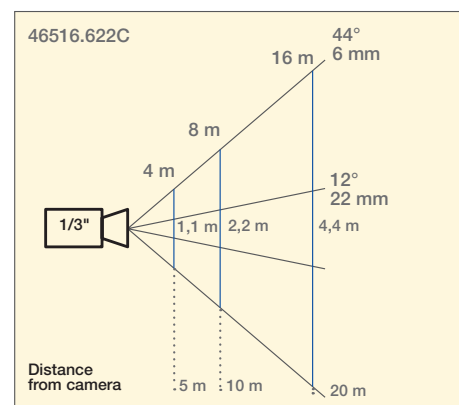
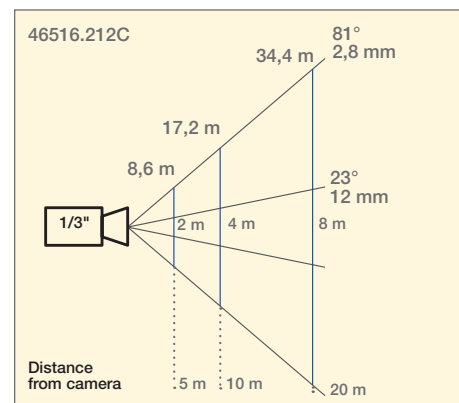
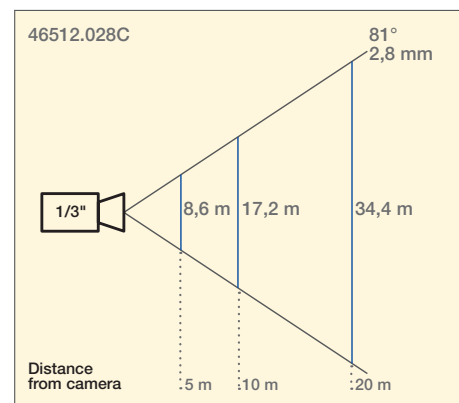
Videosurveillance system **AHD**

AHD Bullet cameras - 3 Mpx



Code	Δ 46512.028C	Δ 46516.212C	Δ 46516.622C
Sensor	1/3" CMOS	1/3" CMOS	1/3" CMOS
Real pixel	2304 (H) x1536 (V)	2304 x 1536	2304 x 1536
Resolution	3 Mpx	3 Mpx	3 Mpx
Video output	AHD	AHD	AHD
Sensitivity	0 Lux (IR LED ON)	0 Lux (IR LED ON)	0 Lux (IR LED ON)
Day & night	Mechanical ICR	Mechanical ICR	Mechanical ICR
Lens	2,8 mm	2,8 - 12 mm	6 - 22 mm
View angle	81 °	81 °	44 ° - 12 °
S/N ratio	41 dB	41 dB	41 dB
Shutter speed (PAL)	AUTO, FLK, 1/25 s - 1/50000 s	AUTO, FLK, 1/25 s - 1/50000 s	AUTO, FLK, 1/25 s - 1/50000 s
Joystick	Yes	Yes	Yes
Functions	Yes, for OSD	Yes, for OSD	Yes, for OSD
OSD via CoC	No	No	No
IR	2DNR, Smart-IR, BLC, HSBLC, D-WDR, WHITE-BAL, AGC, DPC, Mirror	2DNR, Smart-IR, BLC, HSBLC, D-WDR, WHITE-BAL, AGC, DPC, Mirror	2DNR, Smart-IR, BLC, HSBLC, D-WDR, WHITE-BAL, AGC, DPC, Mirror
IP degree	30 m	50 m	50 m
Temperature range	IP66	IP66	IP66
Power supply/ consumptions	-20 / +60° C	-20 / +60° C	-20 / +60° C
Dimensions in (mm)	12 V 350 mA	12 V 250 mA	12 V 700 mA
Weight (g)	ø 67 x 228	ø 76 x 306	ø 76 x 306
Notes	403	744	744
Notes	Installable with bracket for pole 46917.004 eand contacts box 46922.015	Installable with bracket for pole 46917.004 eand contacts box 46922.015	Installable with bracket for pole 46917.004 eand contacts box 46922.015

Shooting range



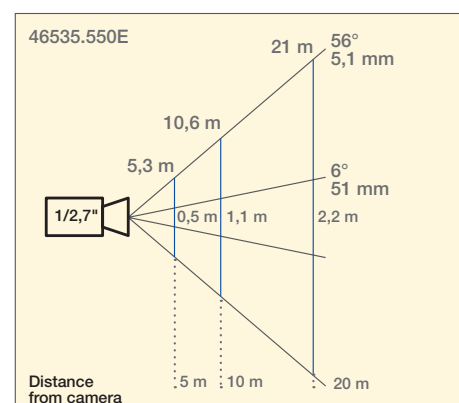
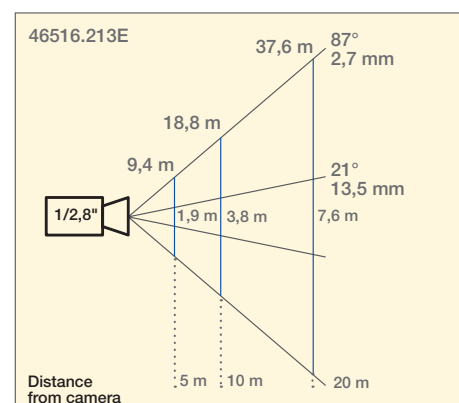
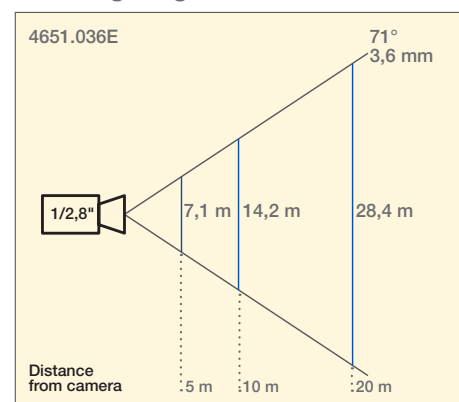
Videosurveillance system

AHD Bullet cameras - 5 Mpx



Code	▲ 4651.036E	46516.213E motorised	46535.550E orientable
Sensor	1/2,8" CMOS	1/2,8" CMOS	1/2,7" CMOS
Real pixel	2688 (H) x 1944 (V)	2688 x 1944	2688 x 1944
Resolution	5 Mpx (2560 x 1936) 20 Fps, selectable 4 Mpx (2560 x 1440) 25 Fps	5 Mpx (2560 x 1936) 20 Fps, 4 Mpx (2560 x 1440) 25 Fps	5 Mpx (2560 x 1936) 20 Fps, 4 Mpx (2560 x 1440) 25 Fps
Video output	AHD / CVBS	AHD/CVBS	AHD/TVI/CVI/CVBS
Sensitivity	0 Lux (IR LED ON)	0 Lux (IR LED ON)	0 Lux (IR LED ON)
Day & Night	Mechanical ICR	Colour/B&W	Colour/B&W
Zoom	-	-	Optical zoom 10x
Lens	3,6 mm	2,7 - 13,5 mm	5,1 - 51 mm
View angle	71 °	87 ° - 21 °	56° Wide - 6° Tele
S/N ratio	54 dB	54 dB	> 50 dB
Shutter speed	AUTO , FLK , 1/25Sec - 1/50000Sec	AUTO , FLK	AUTO
Joystick	Yes	Yes	No
Functions	2-3DNR, Smart-IR, BLC, D-WDR, AGC, DPC, Mirror	2DNR, Smart-IR, BLC, HSBLC, D-WDR, WHITE-BAL, AGC, DPC, Mirror	D-WDR, 2D 3D NR, DEFOG BLC, WB, DPC, Mirror, LSC
OSD via CoC	Yes	Yes	Yes
Pan/Tilt limit	-	-	0° +200° / 45° +40°
Preset	-	-	220
Patrol/Pattern	-	-	8
Privacy	-	-	No
Control	-	-	RS485 and CsC
In/Out alarm	-	-	No
IR	18 m	35-40 m	100 m
IP degree	IP66	IP66	IP 66
Temperature range	-30 / + 60 °C	-30 / + 60 °C	-40° C + 60°C
Power supply/ consumptions	12V 400 mA	12V dc 650 mA	12 Vdc 1,3 A max
Dimensions in (mm)	167 x 70 x 84	ø 84x23	306 x 184 x 120
Weight (g)	490	690	1300
Notes	Installable with bracket for pole 46917.004 and contacts boxes 46922.030 and 46922.033	Installable with bracket for pole 46917.004 and contacts boxes 46922.030 and 46922.033	

Shooting range

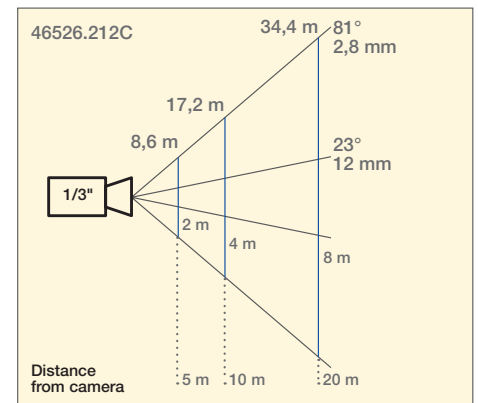
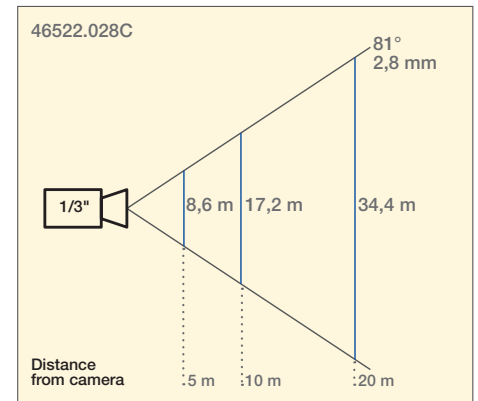


AHD Dome cameras - 3 Mpx



Code	Δ 46522.028C	Δ 46526.212C
Sensor	1/3" CMOS	1/3" CMOS
Real pixel	2304 (H) x1536 (V)	2304 x 1536
Resolution	3 Mpx	3 Mpx
Video output	AHD	AHD
Sensitivity	0 Lux (IR LED ON)	0 Lux (IR LED ON)
Day & Night	Mechanical ICR	Mechanical ICR
Lens	2,8 mm	2,8 - 12 mm
View angle	81 °	81 ° - 23 °
S/N ratio	41 dB	41 dB
Shutter speed	AUTO, FLK, 1/25 s - 1/50000 s	AUTO, FLK 1/25 s - 1/50000 s
Joystick	Yes	Yes
Controllo su coasYesale (CsC)	Yes, for OSD	Yes, for OSD
Uscita CVBS	No	No
Functions	2DNR, Smart-IR, BLC,HSBLC, D-WDR, WHITE-BAL, AGC, DPC, Mirror	2DNR, Smart-IR, BLC, HSBLC, D-WDR, WHITE-BAL, AGC,DPC, Mirror
IR	20 m	30 m
IP degree	IP66	IP66
Temperature range	-20° C / +60° C	-20 / + 60 °C
Power supply/ consumptions	12 V 150 mA	12 V 250 mA
Dimensions in (mm)	ø 94 x70	ø 120 x 80
Weight (g)	392	713
Notes	Installable with bracket for pole 46917.004 and contacts box 46922.015	Installable with bracket for pole 46917.004 and contacts box 46922.018

Shooting range



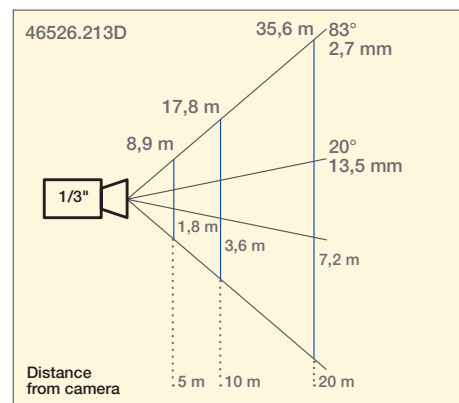
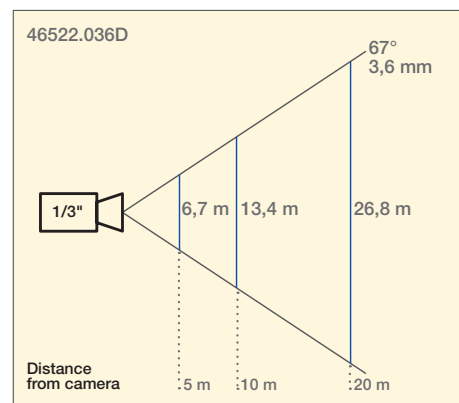
Videosurveillance system 

AHD Dome cameras - 4 Mpx



Code	Δ 46522.036D	Δ 46526.213D
Sensor	1/3" CMOS	1/3" CMOS
Real pixel	2688 (H) x1520 (V)	2688 x 1520
Resolution	4 Mpx	4 Mpx
Video output	AHD	AHD
Sensitivity	0 Lux (IR LED ON)	0 Lux (IR LED ON)
Day & Night	Mechanical ICR	Mechanical ICR
Lens	3,6 mm	2,7 - 13,5 mm
View angle	67 °	83 ° - 20 °
S/N ratio	50 dB	50 dB
Shutter speed	AUTO, FLK, 1/25 s - 1/50000 s	AUTO, FLK 1/25 s - 1/50000 s
Joystick	Yes	Yes
Coaxial control (CsC)	Yes, for OSD	Yes, for OSD
CVBS output	No	No
Functions	2DNR, Smart-IR, BLC,HSBLC, D-WDR, WHITE-BAL, AGC, DPC, Mirror	2DNR, Smart-IR, BLC, HSBLC D-WDR, WHITE-BAL, AGC,DPC, Mirror
IR	20m	30 m
IP degree	IP66	IP66
Temperature range	-20° C / +60° C	-20° C / +60° C
Power supply/ consumptions	12 V 150 mA	12 V 250 mA
Dimensions in (mm)	ø 94 x70	ø 120 x 80
Weight (g)	392	713
Notes	Installable for bracket for pole 46917.004 and contacts box 46922.015	Installable for bracket for pole 46917.004 and contacts box 46922.018

Shooting range



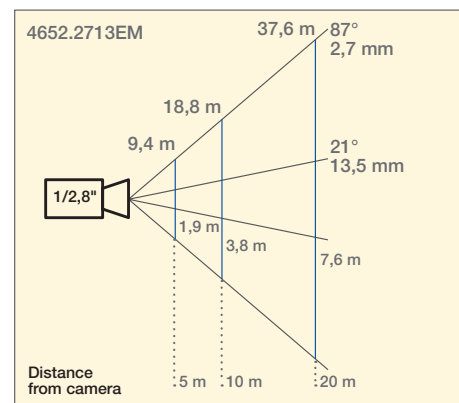
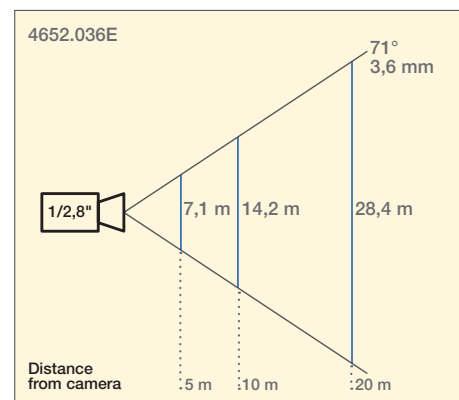
Videosurveillance system **AHD**

AHD Dome cameras - 5 Mpx



Code	▲ 4652.036E	▲ 4652.2713EM
Sensor	1/2,8" CMOS	1/2,8" CMOS
Real pixel	2688 (H) x 1944 (V)	2688 (H) x 1944 (V)
Resolution	5 Mpx (2560 x 1936) 20Fps selectable 4 Mpx (2560 x 1440) 25Fps	5 Mpx (2560 x 1936) 20Fps selectable 4 Mpx (2560 x 1440) 25Fps
Video output	AHD / CVBS	AHD / CVBS
Sensitivity	0 Lux (IR LED ON)	0 Lux (IR LED ON)
Day & Night	Mechanical ICR	Mechanical ICR
Lens	71 °	87 - 21 °
View angle	3,6 mm	2,7-13,5 mm motorised
S/N ratio	54 dB	54 dB
Shutter speed	AUTO , FLK , 1/25Sec - 1/50000Sec	AUTO , FLK , 1/25Sec - 1/50000Sec
Joystick	Yes	Yes
Functions	2-3DNR, Smart-IR, BLC, D-WDR, AGC, DPC, Mirror	2-3DNR, Smart-IR, BLC, D-WDR, AGC, DPC, Mirror
OSD via CoC	Yes	Yes
IR	15 m	20 m
IP degree	IP66	IP66
Temperature range	-30 / + 60 °C	-30 / + 60 °C
Power supply/ consumptions	12 V 400 mA	12 V 500 mA
Dimensions in (mm)	ø 94x80	ø 120x100
Weight (g)	320	610
Notes	Installable with bracket for pole 46917.004 and contacts box 46922.030	Installable with bracket for pole 46917.004 and contacts boxes 46922.032 and 46922.033

Shooting range

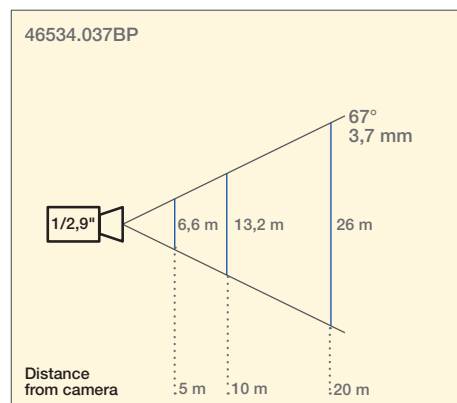
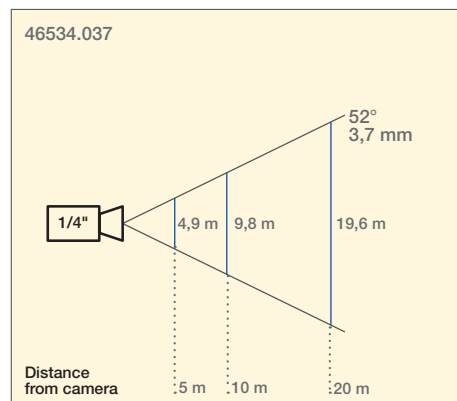


Special cameras



Code	46534.037	46534.037BP
Sensor	1/4" CMOS	1/2,9" CMOS
Real pixel	1296 (H) x 732 (V)	1985 x 1105
Horizontal resolution	720p 25Fps	1080p 25Fps
Video output	AHD	AHD
Sensitivity	1 Lux	0,01 Lux Color / 0.001 Lux B&N
Day & Night	ICR elettronico	Colore/B&N
Lens	3,7 mm	3,7 mm
View angle	52 °	67 °
S/N ratio	50 dB	52 dB
Shutter speed (PAL)	AUTO	AUTO , FLK , 1/50 s - 1/100000 s x2-x30"
OSD	No	No
CVBS output	No	No
Joystick	No	No
Functions	AGC, BLC, NR	2D, 3DNR, BLC,HSBLC,LSC D-WDR, WB,AGC,DPC, Mirror, Motion, Privacy, Defog
CoC	No	Yes
IR	No	No
IP degree	No	IP55
Temperature range	-10° C ~ +50° C	-30 / + 45 °C
Power supply/ consumptions	12 V 100 mA	12V dc 95mA
Dimensions in (mm)	150 x 30 x 60	45 x 39 x 24
Weight (g)	166	74

Shooting range

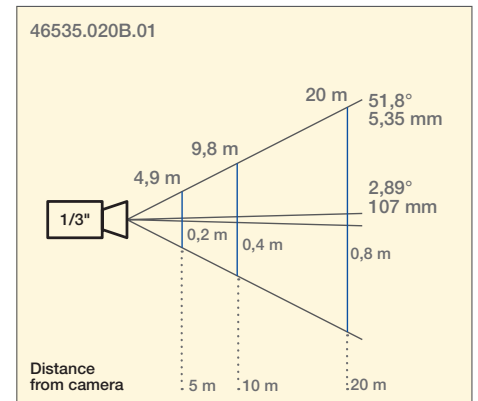


AHD Speed Dome (PTZ)



Code	46535.020B.01
Sensor	1/3" CMOS 2 Mpx
Real pixel	1984 x 1225
Resolution	1080p - 25/30 fps
Sensitivity	0 Lux (IR LED ON)
Zoom	Optical 20x (5,35 - 107 mm)
View angle	51,85° Wide - 2,89° Tele
Day & night	Mechanical
Control on coaxial (CsC)	Yes
Video output	AHD/TVI/CVI/CVBS
Functions	OSD, ATR, 2D DNR, BLC, DeFog
S/N ratio	> 50 dB
Pan/Tilt limit	360° continuous 0° to 90° auto Flip
Preset	220
Patrol/Pattern	8/4
Privacy	8 zone
Control	RS485 / CsC
In/Out alarm	4/1
IR	150 m
IP degree	IP66
Temperature range	-40° C / + 60° C
Power supply/ consumptions	24 Vac 3 A standard
Dimensions in (mm)	ø 210 x 330
Weight (g)	4600

Shooting range



* See keypad on page 47

Videosurveillance system

5 Mpx Hybrid DVR Lite



Code	46540.D04.01		46540.D08.01		46540.D16.01	
Video compression	Standard H.265 High Profile		Standard H.265 High Profile		Standard H.265 High Profile	
Operating mode	Pentaplex		Pentaplex		Pentaplex	
Video input	BNC x 4		BNC x 8		BNC x 16	
Video output	HDMI 1920 x 1080, 1280 x 1024, 1024 x 768 VGA 1920 x 1080, 1280 x 1024, 1024 x 768 BNC x 1 : MAIN or SPOT		HDMI 1920 x 1080, 1280 x 1024, 1024 x 768 VGA 1920 x 1080, 1280 x 1024, 1024 x 768 BNC x 1 : MAIN or SPOT		HDMI 1920 x 1080, 1280 x 1024, 1024 x 768 VGA 1920 x 1080, 1280 x 1024, 1024 x 768 BNC x 1 : MAIN or SPOT	
Audio input/output	RCA x 4/RCA x 1		RCA x 8/RCA x 1		RCA x 8/RCA x 1	
AHD/TVI recording resolution	5MP Lite 4MP Lite/1080p 1080p Lite/720p/WD1	10fps 12fps 25fps	5MP Lite 4MP Lite/1080p 1080p Lite/720p/WD1	10fps 12fps 25fps	5MP Lite 4MP Lite/1080p 1080p Lite/720p/WD1	10fps 12fps 25fps
CVI recording resolution	4MP Lite/1080p 1080p Lite/720p/WD1	12fps 25fps	4MP Lite/1080p 1080p Lite/720p/WD1	12fps 25fps	4MP Lite/1080p 1080p Lite/720p/WD1	12fps 25fps
IP connectable cameras to DVR (via external switch)	2 in addition to 4 analog cameras or max 6 IP		4 in addition to 8 analog cameras or max 12 IP		8 in addition to 16 cameras or max 16 IP + 8 AHD	
IP cameras recording resolution	5MP 25 fps		5MP 25 fps		5MP 25 fps	
Alarm input/output	4/1		8/2		16/4	
OSD camera control via coaxial (CsC)	Yes		Yes		Yes	
Network interface	1 RJ45 - 10/100 Mbps		1 RJ45 - 1000 Mbps		1 RJ45 - 1000 Mbps	
Hard disk interface	1 SATA (max 8 TB)		1 SATA ,1 E-SATA (max 8 TB)		2 SATA ,1 E-SATA (max 8 TB)	
HDD disc	1 TB Professional		1 TB Professional		2 TB Professional	
USB interface	2 USB 2.0		2 USB 2.0		2 USB 2.0	
RS485 PTZ control	Yes		Yes		Yes	
CVM	Yes		Yes		Yes	
QR CODE	Yes		Yes		Yes	
Smartphone control	Android and iPhone with By-Camera app		Android and iPhone with By-Camera app		Android and iPhone with By-Camera app	
Video analysis	Yes*		Yes*		Yes*	
Privacy filter	Yes		Yes		Yes	
Interface	mouse, remote control		mouse, remote control		mouse, remote control	
Power supply/consumptions	12 V / 10 W (HDD not included)		12 V / 12 W (HDD not included)		12 V / 15 W (HDD not included)	
Operating temperature	-10 / + 50 °C		-10 / + 50 °C		-10 / + 50 °C	
Dimensions in (mm)	300 (L) x 248 (P) x 52 (H)		380 (L) x 248 (P) x 52 (H)		380 (L) x 268 (P) x 52 (H)	
Weight (g)	1,1		1,1		1,8	
Notes	RTSP ** compatible with USB alarms extension		RTSP ** compatible with USB alarms extension		RTSP ** compatible with USB alarms extension	

* Matchable with cameras with Intelligent Video analysis function.

** RTSP: Function for direct connection to By-me Plus home automation system or as additional camera for IP video door entry system.

USB alarms extension



▲ 46936.001

USB alarms extension enables to increase/add alarm contacts inputs and outputs into NVR and DVR

Characteristics	
Connection type	USB
Alarm inputs	16
Alarm outputs	6
USB	USB2.0 x 1
Operating temperature	- 10°C ~ 50°C
Operating humidity	10% ~ 90%
Supply voltage	5 V / 1 A
Consumption	≤ 5 W

Alarms extension compatibility - NVR/DVR

NVR	46NVR.04P	Yes	46241.H04	No
	46NVR.08P	Yes	46241.H08	No
	46NVR.16	Yes	46241.H16	No
	46NVR.16P	Yes	46241.H64	No
	46NVR.032	Yes	46NVR.64	No
DVR	46540.D04.01	Yes	46540.F04	No
	46540.D08.01	Yes	46540.F08	No
	46540.D16.01	Yes	46540.H16	No

Videosurveillance system 

1080p Hybrid DVR



Code	Δ 46540.F04	Δ 46540.F08	Δ 46540.H16
Video input	4 BNC, AHD/IP/TVI/CVI/CVBS +1 IP (max 5 Ch IP)	8 BNC, AHD/IP/TVI/CVI/CVBS +1 IP (max 9 Ch IP)	16 BNC, AHD/IP/TVI/CVI/CVBS +4 IP (max 12 Ch IP)
PoE ports	None	None	None
HDD disc	1 TB Professional	1 TB Professional	1 TB Professional
Recording resolution	FullHD 1080p: 12,5 Fps 1080p LITE (AHD) or HD 720p (AHD) or WD1 (analog): 25 Fps	FullHD 1080p: 12,5 Fps 1080p LITE (AHD) or HD 720p (AHD) or WD1 (analog): 25 Fps	FullHD 1080p: 12,5 Fps 1080p LITE (AHD) or HD 720p (AHD) or WD1 (analog): 25 Fps
IP cameras recording resolution	1080p 25 Fps 720p 25 Fps	3 Mpx 12 Fps 1080p 25 Fps 720p 25 Fps	3 Mpx 12,5 Fps 1080p 25 Fps 720p 25 Fps
VGA/HDMI resolution	1080p (1920 x 1080)	1080p (1920x1080)	1080p (1920x1080)
Video compression	Standard H.264 High Profile	Standard H.264 High Profile	Standard H.264 High Profile
Operating mode	PENTAPLEX	PENTAPLEX	PENTAPLEX
Video output	1 HDMI, 1 VGA, 1 BNC	1 HDMI, 1 VGA, 1 BNC	1 HDMI, 1 VGA, 1 BNC
Audio In/Out	4 RCA/1 RCA	4 RCA/1 RCA	4 RCA/1 RCA
Alarm In/Out	4/1	4/1	4/1
OSD camera control via coaxial (CsC)	Yes	Yes	Yes
Network interface	1 RJ45 - 10/100 Mbps	1 RJ45 - 10/100 Mbps	1 RJ45 - 10/100 Mbps
Hard disk interface	1 SATA da 3 TB max	1 SATA da 3 TB max	2 SATA da 3 TB max
USB interface	2	2	2
RS485 PTZ control	Yes	Yes	Yes
CVM	Yes	Yes	Yes
QR CODE	Yes	Yes	Yes
Smartphone control	Android and iPhone	Android and iPhone	Android and iPhone with app
Video analysis	No	No	No
Privacy filter	Yes	Yes	Yes
Interface	Mouse, remote control	Mouse, remote control	Mouse, remote control
Power supply/ consumptions (HDD not included)	12 V 2 A 6 W	12 V 3 A 8 W	12 V 4 A 15 W
Operating temperature	0° C / +50 °C	0° C / +50 °C	0° C / +50 °C
Ventole raffreddamento	-	-	-
Dimensions in (mm)	300 x 248 x 52	300 x 248 x 52	380 x 268 x 52
Weight (g)	1100	1100	1800
Notes	RTSP **	RTSP **	RTSP **

1080p LITE: The DVR records smooth video (25 fps), reducing the pixel number.

** **RTSP:** Function for direct connection to By-me Plus home automation system or as additional camera for IP video door entry system.

Videosurveillance system

Monitor



Code	46910.H20A	46910.H24A
Screen	19,5" LED Backlight Monitor	23,6" LED Backlight Monitor
Resolution	1920 x 1080	1920 x 1080
Profile ratio	16:9	16:9
Brightness (NIT)	250 cd/m ²	250 cd/m ²
Contrast ratio	500:1	500:1
View angle	170° x 160°	170° x 160°
Response time	5 ms	5 ms
Video input	HDMI x 1 VGA x 1 BNC x 1 in BNC x 1 out	HDMI x 1 VGA x 1 BNC x 1 in BNC x 1 out
Audio input/output	1	1
Power supply	12 Vdc 30 W with standard supply unit	12 Vdc 30 W with standard supply unit
Vesa contact	Yes	Yes
Desktop frame	Yes	Yes
Dimensions in (mm)	485 x 375 x 50	570 x 425 x 50
Weight (kg)	2,8	3,8

Videosurveillance system

Passive transducers (AHD)



46862.B02

Pair of passive transducer for video transmission on twisted cable, BNC connectors for the connection to camera or DVR, one of the connector with 14 cm of cable

Accessories



46264.001.01

Extender Ethernet PoE 10/100 standard IEEE802.3af/at, connection up to 100 m, max 3 devices per sections



46936.001

USB alarm extension module for NVR and DVR, 16 IN and 6 OUT

Connectors and cabling



46904.M01

Male BNC connector for coaxial cable with screw terminals



46902.010

Switching power unit 100 - 240 Vac 50/60 Hz, with 2P Europlug, standard jack 12 Vdc 1 A, max power 12 W



46901.015

Flush mounting switching power unit 100-240 Vac 50/60 Hz, standard jack 12 Vdc 1,5 A, max power 18 W, to be installed in consumer unit, junction boxes or sealed boxes

Keypad for PTZ cameras and DVR control



46916.005

Keypad for Speed Dome cameras, with 3-axis Pelco D, Pelco P protocol control, supply unit 12 Vdc 2 A. Dimensions: 220x130x90 mm



46916.004

IP keypad for PTZ IP cameras, controls 10 devices simultaneously, 3-axis control, supply unit 12 Vdc

Coaxial cables



0002.060.E

75 ohm, ø 3 mm, PVC sheath, CPR Eca, suitable for installation with I Category energy cable (U0 = 400 V), grey - reel of 200 m



0002.063.E

For video system, 2x0,35 mm² + 75 ohm coaxial cable, PVC sheath, CPR Eca, suitable for installation with I Category energy cable (U0 = 400 V), grey - reel of 200 m



0002.163.E

For video system, 2x0,75 mm² + 75 ohm coaxial cable, PVC sheath, CPR Eca, suitable for installation with I Category energy cable (U0 = 400 V), grey - reel of 200 m



46364.E.100

For inner laying, ø 3,3 mm, LSZH sheath, CPR Eca, suitable for installation with I Category energy cable (U0 = 400 V), brown - reel of 100 m



46364.E.500

For external laying, ø 6,3 mm, LSZH sheath, CPR Eca, suitable for installation with I Category energy cable (U0 = 400 V), brown - reel of 500 m

Max distance of recommended transmission

Resolution	Coaxial cable				Network cable	
	RG59	0002.163.E (coaxial with supply)	46364.E.100 (coaxial 3,3 mm, high quality, inner laying)	46364.E.500 (coaxial 6,3 mm high quality, external laying)	Balun Passive (analog range)	Balun Active (analog range)
AHD 720p	400 m	40 m @ 700 mA (limit dues to supply)	300 m	400 m	300 m	Not allowed
AHD 1080p	300 m	40 m @ 700 mA (limit dues to supply)	200 m	300 m	250 m	Not allowed
3 Mpx	200 m	40 m @ 700 mA (limit dues to supply)	150 m	250 m	200 m	Not allowed
4 Mpx	200 m	40 m @ 700 mA (limit dues to supply)	150 m	250 m	100 m	Not allowed
5 Mpx	150 m	40 m @ 700 mA (limit dues to supply)	100 m	200 m	100 m	Not allowed

If these distances are exceeded, there is a progressive degradation of the signal quality.

Videosurveillance system

Brackets and supports for AHD Bullet and Dome cameras



46922.030

Bracket with contacts box for AHD Bullet 46516.213E and 46516.650B cameras, for surface and ceiling mounting



▲ 46922.031

Contacts box for AHD Dome varifocal cameras for surface and ceiling mounting



▲ 46922.032

Bracket for AHD Dome varifocal cameras for surface mounting



▲ 46922.033

Contacts box for AHD cameras, suitable to hold cabling and supply unit, IP66



46917.004

Pole bracket for AHD fixed-focus and varifocal cameras

Brackets and supports for IP Bullet and Dome cameras



▲ 46922.040

Bracket with contacts box for IP Dome and Bullet cameras, for surface and ceiling mounting



▲ 46922.041

Bracket with contacts box for IP Dome and Bullet cameras, for surface and ceiling mounting



▲ 46922.042

Bracket with contacts box for IP Dome varifocal cameras, for surface and ceiling mounting



46922.019

Bracket with contacts box for IP Fisheye cameras, for surface and ceiling mounting



▲ 46917.005

Pole bracket, for IP cameras

Brackets for IP PTZ cameras















▲ 46917.002

Pole bracket for Speed Dome (PTZ) and Bullet IP

Videosurveillance system











Compatibility between boxes and IP cameras












Bullet cameras		Brackets				
		 46917.002 for pole	 46917.005 for pole	 46922.040 with contacts box	 46922.041 with contacts box	 46922.042 with contacts box
	4621.036B		X	X		
	4621.036E		X	X		
	4621.2812B		X	X		
	4621.2812EMS		X	X		
	4621.3312EMA		X		X	
	46212.036F	X				
	46216.212BL	X				
	46216.312FM	X				
	46917.005			X	X	X

Dome cameras		Brackets				
		 46917.005 for pole	 46922.040 with contacts box	 46922.041 with contacts box	 46922.042 with contacts box	 46922.019 with contacts box
	4622.036B		X			
	4622.036E		X			
	4622.2812B			X		
	4622.2812EMS			X		
	4624.036E	X				
	46223.036D	X				
	4622.3312EMA				X	
	46222.036F		X			
	46226.312FM					
	46234.010E.67					X
	46917.005		X	X	X	X

Videosurveillance system

Compatibility between boxes and AHD cameras

Bullet cameras		Brackets		
		 46917.004 for pole	 46922.030 with contacts box	 46922.033 with contacts box
	4651.036B	X	X	X
	4651.036E	X	X	X
	4651.2812B	X	X	X
	4651.2713BLM	X	X	X
	46516.650B	X	X	X
	46512.028C	X		
	46516.212C	X		
	46516.622C	X		
	46516.213E	X	X	X

Dome cameras		Brackets				
		 46917.004 for pole	 46922.030 with contacts box	 46922.031 with contacts box	 46922.032 for surface mounting	 46922.033 with contacts box
	4652.028B	X	X			
	4652.036E	X	X			
	4652.2812B	X		X	X	X
	4652.2713EM	X		X	X	X
	46523.036B					
	46522.028C	X				
	46522.036D	X				
	46526.212C	X				
	46526.213D	X				

Videosurveillance system

IP

NVR with alarm input and cameras compatibility

NVR	Nr. channels	Alarms in/out	Nr. PoE	Video analysis	Fisheye	Camera sensor (resolution)	
						up to 5 Mpx (2592 x 1944)	up to 8 Mpx (3840 x 2160)
46241.H04	4	-	4	Yes	No	Yes	No
46241.H08	8	-	8	Yes	No	Yes	Yes
46241.H16	16	-	-	Yes	Yes	Yes	Yes
46241.H64	64	8 / 4	-	Yes	Yes	Yes	Yes
46NVR.04P	4	-	4	Yes	No	Yes	Yes
46NVR.08P	8	-	8	Yes	No	Yes	Yes
46NVR.16	16	4/1	-	Yes	No	Yes	Yes
46NVR.16P	16	-	16	Yes	No	Yes	Yes
46NVR.32	32	4/1	-	Yes	No	Yes	Yes
46NVR.64	64	8 / 4	-	Yes	Yes	Yes	Yes

AHD

DVR with alarm input and cameras compatibility

DVR	Nr. channels	Alarms in/out	Cameras resolution				
			720p	1080p	3 Mpx	4 Mpx	5 Mpx
46540.F04	4	4 / 1	Yes	Yes	-	-	-
46540.F08	8	4 / 1	Yes	Yes	-	-	-
46540.H16	16	4 / 1	Yes	Yes	-	-	-
46540.D04.01	4	4 / 1	Yes	Yes	Yes	Yes	Yes
46540.D08.01	8	8 / 2	Yes	Yes	Yes	Yes	Yes
46540.D16.01	16	16 / 4	Yes	Yes	Yes	Yes	Yes

Cameras with alarm input

Cameras	Sensor (resolution)	Lens	Alarms in/out
46535.020B.01	1/3" (1080p)	5,35 - 107 mm	4 / 1

Cameras with alarm input

Bullet (varifocal)				Dome (varifocal)			
Cameras	Sensor (resolution)	Lens	Alarms in/out	Cameras	Sensor (resolution)	Lens	Alarms in/out
4621.3312EMA H.265 - H.264	5 Mpx (2592 x 1944)	3,3 - 12 mm (MOTORISED)	1 / 1	4622.3312EMA H.265 - H.264	5 Mpx (2592 x 1944)	3,3 - 12 mm (MOTORISED)	1 / 1
46216.312FM H.265 - H.264	8 Mpx (3840 x 2160)	3,3 - 12 mm (MOTORISED)	1 / 1	46226.312FM H.265 - H.264	8 Mpx (3840 x 2160)	3,3 - 12 mm (MOTORISED)	1 / 1

PTZ

Cameras	Sensor (resolution)	Lens	Alarms in/out
46235.020C H.265 - H.264	3 Mpx (2048 x 1536)	5,5 - 110 mm	7 / 1

Fisheye

Cameras	Sensor (resolution)	Lens	Alarms in/out
46234.010E.67 H.265 - H.264	5 Mpx (3096x2202) (2160x2160 panoramica)	1,07 mm	1 / 1

Cube

Cameras	Sensor (resolution)	Lens	Alarms in/out
4625.028B H.264 - H.265	2 Mpx (1920 x 1080)	2,8 mm	1 / 1

Videosurveillance system

AHD kit - 4 and 8 channels



Δ 46550.413B

Kit consisting of:

- 1 **46540.F04**: 4+1-channel hybrid DVR, AHD/IP/CVBS, compatibility with 1 additional IP camera, Professional HDD 1 TB, Pentaplex, H.264, CsC, AHD supported up to 1080p and IP up to 2 Mpx;
- 3 **46512.036B**: AHD 1080p Bullet cameras, 3,6 mm fixed lens, D&N with IR mechanical filter;
- 3 **46902.010**: 12 Vdc - 1 A power supply units;
- 1 **46927.001**: sign 'Area videosorvegliata'.



Δ 46550.413C

Kit consisting of:

- 1 **46540.D04**: 4+1-channel hybrid DVR, AHD/IP/CVBS, compatibility with 1 additional IP camera, Professional HDD 1 TB, Pentaplex, H.264, CsC, supAHD supported up to 4 Mpx and IP up to 3 Mpx;
- 3 **46512.028C**: AHD 3 Mpx Bullet cameras, 2,8 mm fixed lens, &N with IR mechanical filter;
- 3 **46902.010**: 12 Vdc - 1 A power supply units;
- 1 **46927.001**: sign 'Area videosorvegliata'.



Δ 46550.813B

Kit consisting of:

- 1 **46540.F08**: 8+1-channel hybrid DVR, AHD/IP/CVBS, compatibility with 1 additional IP camera, Professional HDD 1 TB, Pentaplex, H.264, CsC, AHD supported up to 1080p and IP up to 2 Mpx;
- 3 **46516.212B**: AHD 1080p Bullet cameras, 2,8-12 mm varifocal lens, D&N with IR mechanical filter;
- 3 **46902.010**: 12 Vdc - 1 A power supply units;
- 1 **46927.001**: sign "Area Videosorvegliata".



Δ 46550.813C

Kit consisting of:

- 1 **46540.D08**: 8+1-channel hybrid DVR, AHD/IP/CVBS, compatibility with 4 additional IP cameras, Professional HDD 1 TB, Pentaplex, H.264, CsC, AHD supported up to 4 Mpx and IP up to 4 Mpx;
- 3 **46516.212C**: AHD 3 Mpx Bullet cameras, 2,8-12 mm varifocal lens, D&N with IR mechanical filter;
- 3 **46902.010**: 12 Vdc - 1 A power supply units;
- 1 **46927.001**: sign "Area Videosorvegliata".

B. C20026 EN 2002
8 007352 636444



Viale Vicenza, 14
36063 Marostica VI - Italy
Tel. +39 0424 488 600
Fax +39 0424 709
www.vimar.com