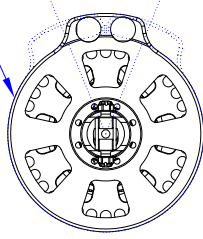
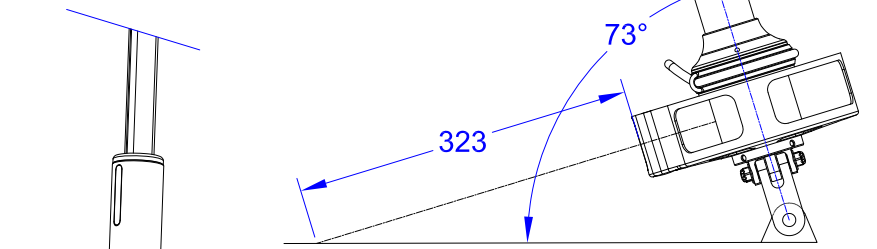
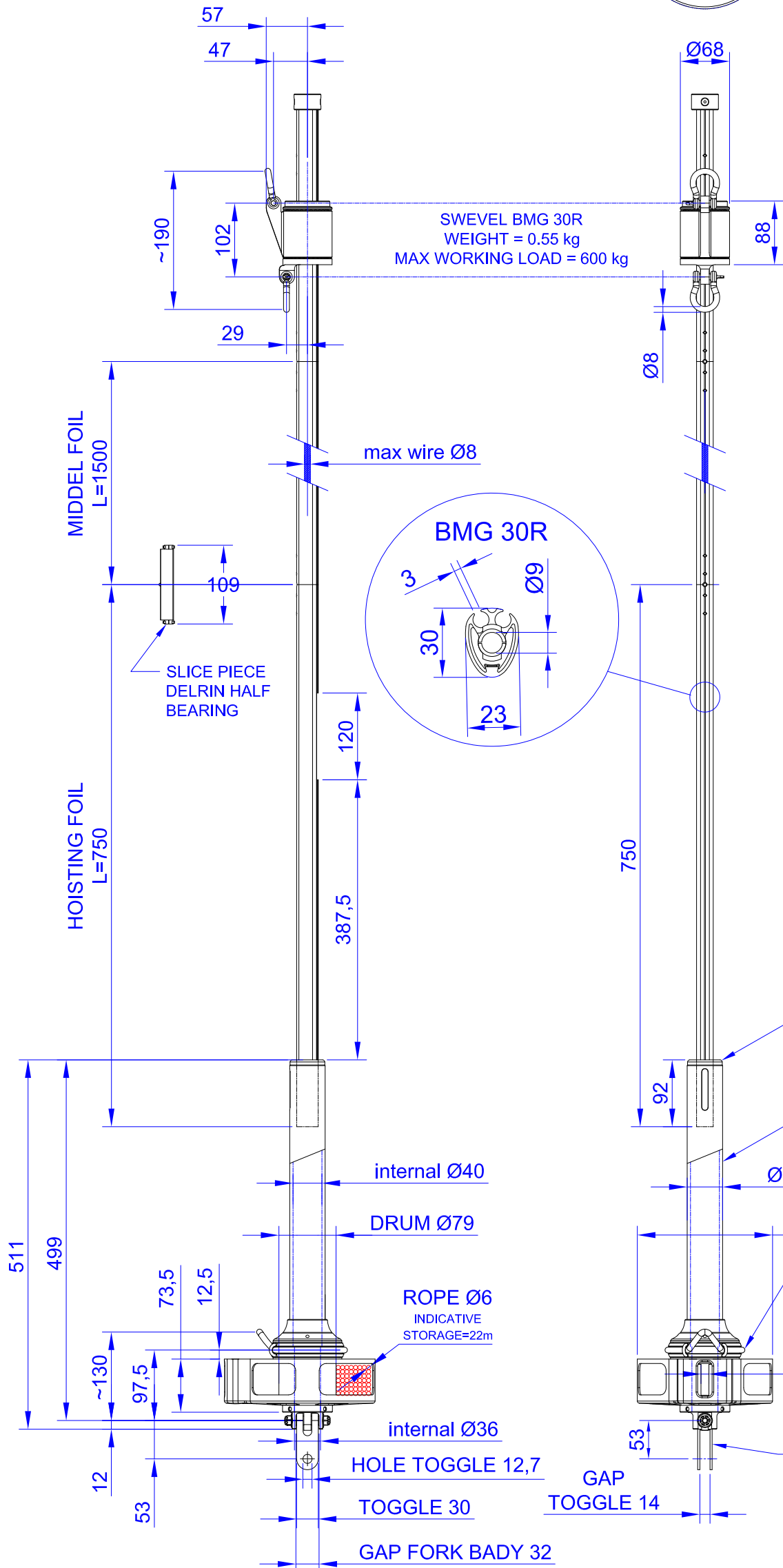


DRUM COVER MAY BE ORIENTED IN 22.5° STEPS RESPECT FORK BODY



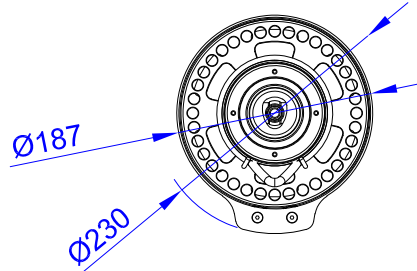
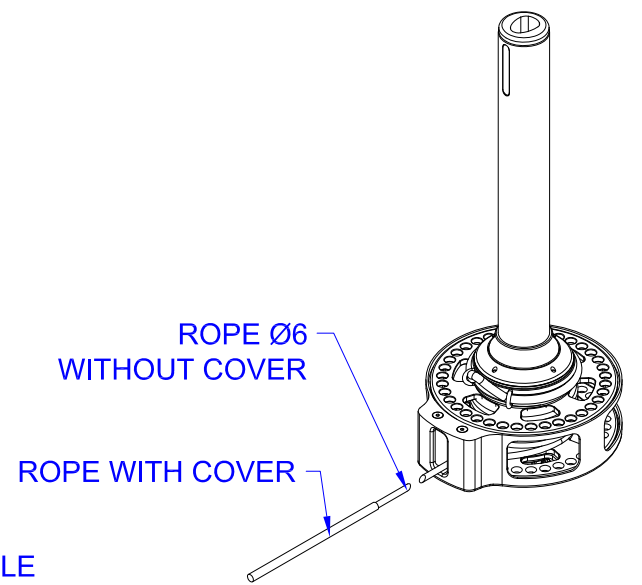
PRELIMINARY



STAY, TBCK AND EYE NOT INCLUDED IN BAMAR SUPPLYING

SPECIAL CLEVIS PIN AND NUTS SUPPLIED BY BAMAR

DOUBLE JAW TOGGLE SUPPLIED BY BAMAR



MATERIALS NOTE: FURLER DRUM AND COVER BALCK ANODIZED ALU
FORK BODY, SPECIAL PIN, SPECIAL NUTS AND DOUBLE JAW TOGGLE S.S.POLISHED

| REV. | MODIFY DESCRIPTION | DATE | APPROVED |
|-----------------------------------------------------------------------------------------------------------------------------------------------------------------------------------------------------------------------------------------------------------------------------------------------------------------------------------------------------------------------|--------------------|----------------------------------------------------------------------------------------------------------------------|----------|
| A | FIRST ISSUE | 18/11/2020 | A.S. |
| <p>Tolleranze dimensionali e geometriche per elementi privi di tolleranze specifiche, secondo UNI - EN 22768 m, K</p> <p>Flettiture prive di tolleranze da eseguire in Threading without tolerances to be performed in H9 - e7</p> <p>Spigoli - Edges: 0.5 x 45°</p> <p>Raccordi - General roughness: R 0.5</p> <p>Alloggiamenti - General roughness: 32 / 16 / 8</p> | | | |
| <p>Descrizione - Description: Bamar FTF Small wire Ø8 + BMG 30R</p> <p>Disegno n° - Drawing n°: 80111725</p> <p>Materiale - Material: ...</p> | | <p>Codice</p> <p>Trattamento - Treatment</p> <p>Peso - Weight (Kg)</p> <p>Data - Qty</p> <p>Fornitore - Supplier</p> | |
| <p>Disegnatore - Drafter: Amedeo Saverna</p> <p>Data - Date: 18/11/2020</p> <p>Sostituisce il dis. n° - Replaced drawing n°: ...</p> | | <p>Approvato - Approved by: Amedeo Saverna</p> <p>Data - Date: 18/11/2020</p> <p>Data - Replaced since: ...</p> | |
| <p>Scala - Scale: 1:1</p> <p>Unità - Unit: mm</p> | | <p>UNI A0</p> | |