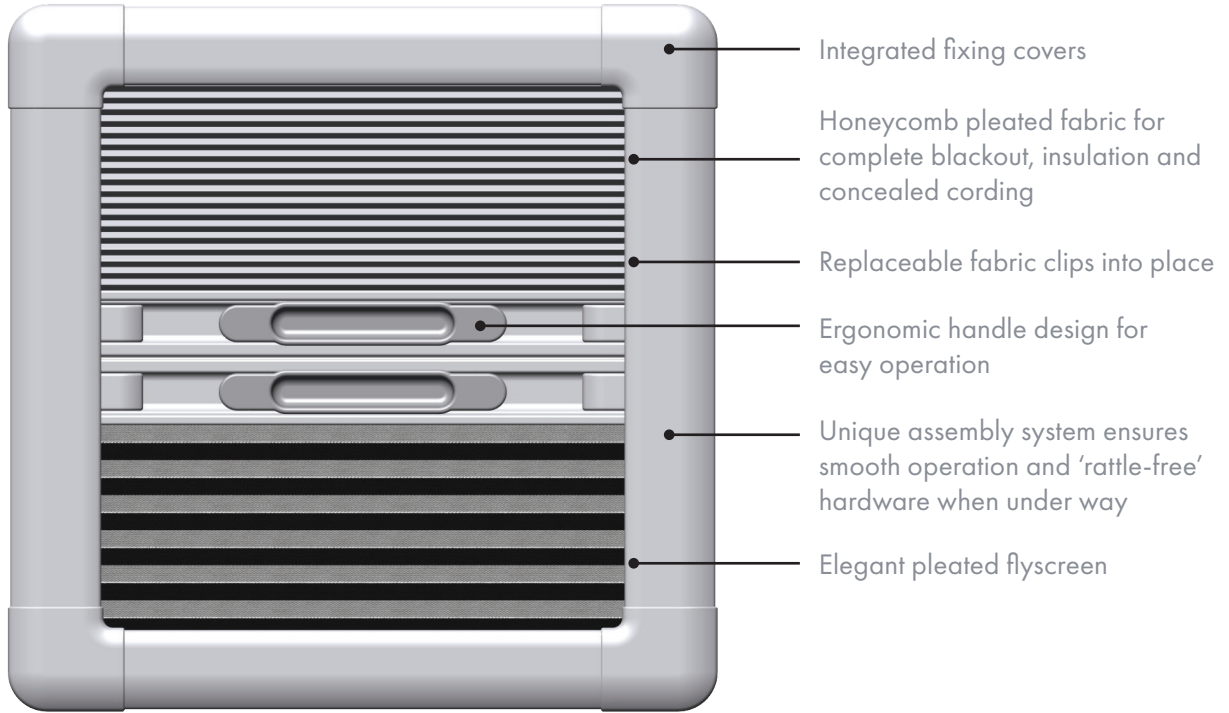




seaSCREEN

Surface Pleated

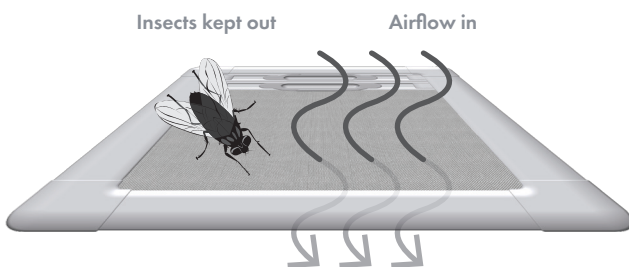


Surface-mounted pleated blind and flyscreen to fit any size marine hatch

- Elegant pleated blind and flyscreen combined
- Onboard privacy and comfort
- Cabin light and temperature control
- Reduce UV damage
- Reduce glare
- Insect control
- Easy installation
- Low profile design with small footprint

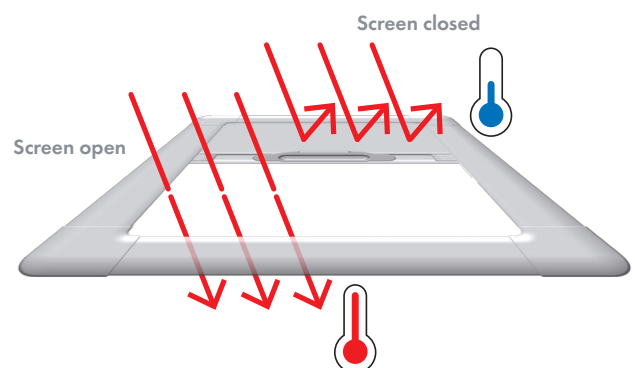
Flyscreen

The Seaview pleated flyscreen allows fresh air to flow in through the fabric, while keeping minute insects out, as well as offering a long-lasting UV stable solution.



Cabin temperature

By controlling light transmission and reflecting heat, hatch screens help control cabin temperature

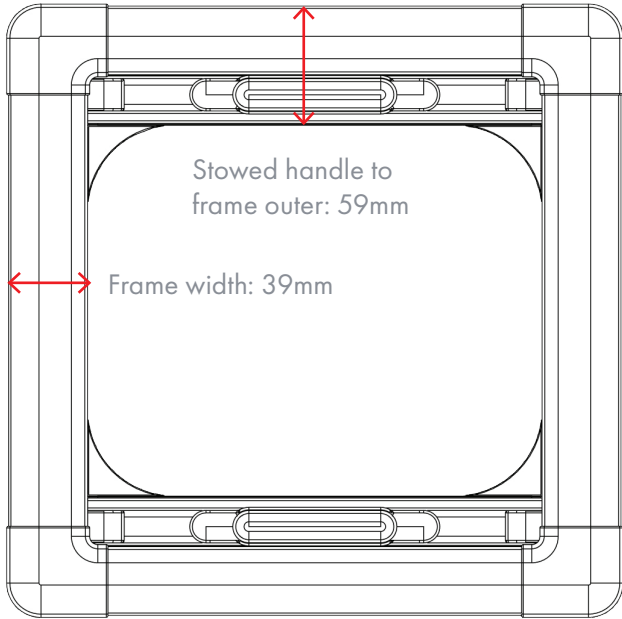




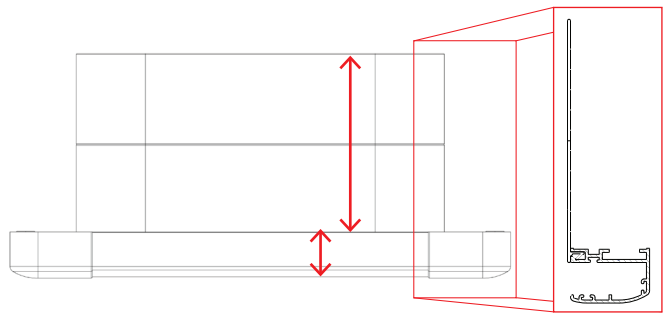
seaSCREEN

Surface Pleated

Discreet low profile design with small frame footprint



For a near seamless finish between hatch and SEASCREEN, an additional liner simply clicks into the SEASCREEN frame and slots behind the hatch flange. Available with a corner radius of R42mm and with score lines spaced at 10mm intervals, the user-friendly liner is easily trimmed to any height from a maximum of 120mm.



SEASCREEN Surface Pleated

Available in the following standard sizes:

Part No.	To fit hatch	Width (X)	Drop (Y)
10	Lewmar 10	261mm (10 1/4")	261mm (10 1/4")
20	Lewmar 20	347mm (13 5/8")	203mm (8")
30	Lewmar 30	457mm (18")	327mm (12 7/8")
44	Lewmar 44	442mm (17 3/8")	442mm (17 3/8")
54	Lewmar 54	507mm (20")	392mm (15 3/8")
60	Lewmar 60	507mm (20")	507mm (20")
70	Lewmar 70	627mm (24 5/8")	627mm (24 5/8")
1000	Bomar 1000	273mm (10 3/8")	273mm (10 3/8")

Minimum and maximum dimensions:

	Width (X)	Drop (Y)
Minimum	150mm	100mm
Maximum	800mm	800mm

Hardware colour options



White Ivory

Fabric colour options



White Ivory