

**2 nm, 135° STERN LIGHT w. DECK LIGHT,  
SINGLE, VERTICALLY MOUNTED**

This LED navigation light consists of one high-power LEDs that produces light in the specified angle utilizing special designed PMMA light guides.

A deck light unit is mounted under the stern unit to provide a comfortable light on deck.

The precision machined 6082 aluminium housing with an anodized surface makes the light a rugged and durable housing for the LEDs and electronics contained within.

The interior is filled with a special potting resin making it water- and vibration proof.

Produced in our in-house manufacturing facility to meet and exceed exacting standards such as EN14744 and UL1104, under a quality management system continuously surveyed by Lloyds Register Quality Assurance.

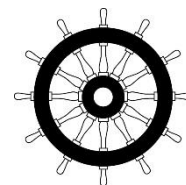
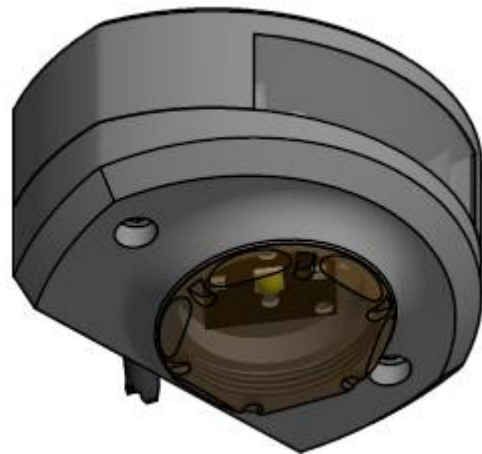
Each light is subjected to final testing for a minimum of 16 hours of continuous operation bringing the total test time beyond 24 hours.

This navigation light complies to the following standards:

- COLREG72
- EN14744
- IEC 60945
- USCG (UL1104)

Together with an appropriate Control & Monitoring System, such as Lopolight's own NLC\* this navigation light can form part of an IMO MSC 253(83), LY3 and LY4 compliant system.

\*) information found here: [www.lopolight.com/NlcPanel](http://www.lopolight.com/NlcPanel)



0038

Technical specifications**Stern light;**

Vessel size: <50m (up to 164')

Visibility: >2 nautical miles

Intensity: >5,4cd

Power consumption: 1,32 Watt; Current: 0,11A @12 VDC - 0,05A @24 VDC

Light colour: White

**Deck light;**

Vessel size: All vessel sizes

Intensity: 1500lumen

Light angle: 80°

Power consumption: 6 Watt; Current: 0,50A @12 VDC - 0,25A @24 VDC

Light colour: White (4000 Kelvin)

Operating voltage: 10 - 32 VDC

Number of LEDs:

Stern light: 1

Deck light: 1

Operating temperature: -25°C to +55°C

IP rating: IP68

Mounting: Vertical

Connection: 2 cables consisting of each 2 x 0,5 mm<sup>2</sup> leads, a screen and insulation.

- Red lead = Stern light power
- Black lead = Stern light GND
  
- Red lead = Deck light power
- Black lead = Deck light GND

Certification: The product is certified by Lloyds (LR) and certificates can be found on [www.lopolight.com](http://www.lopolight.com) under certificates.

The product complies to the following standard(s):  
COLREG72/ EN14744 / IEC 60945 / USCG (UL1104)

Dimensions: See drawing

Weight: 1,2kg

Warranty:

Lopolight products are covered by a 5-year limited warranty.

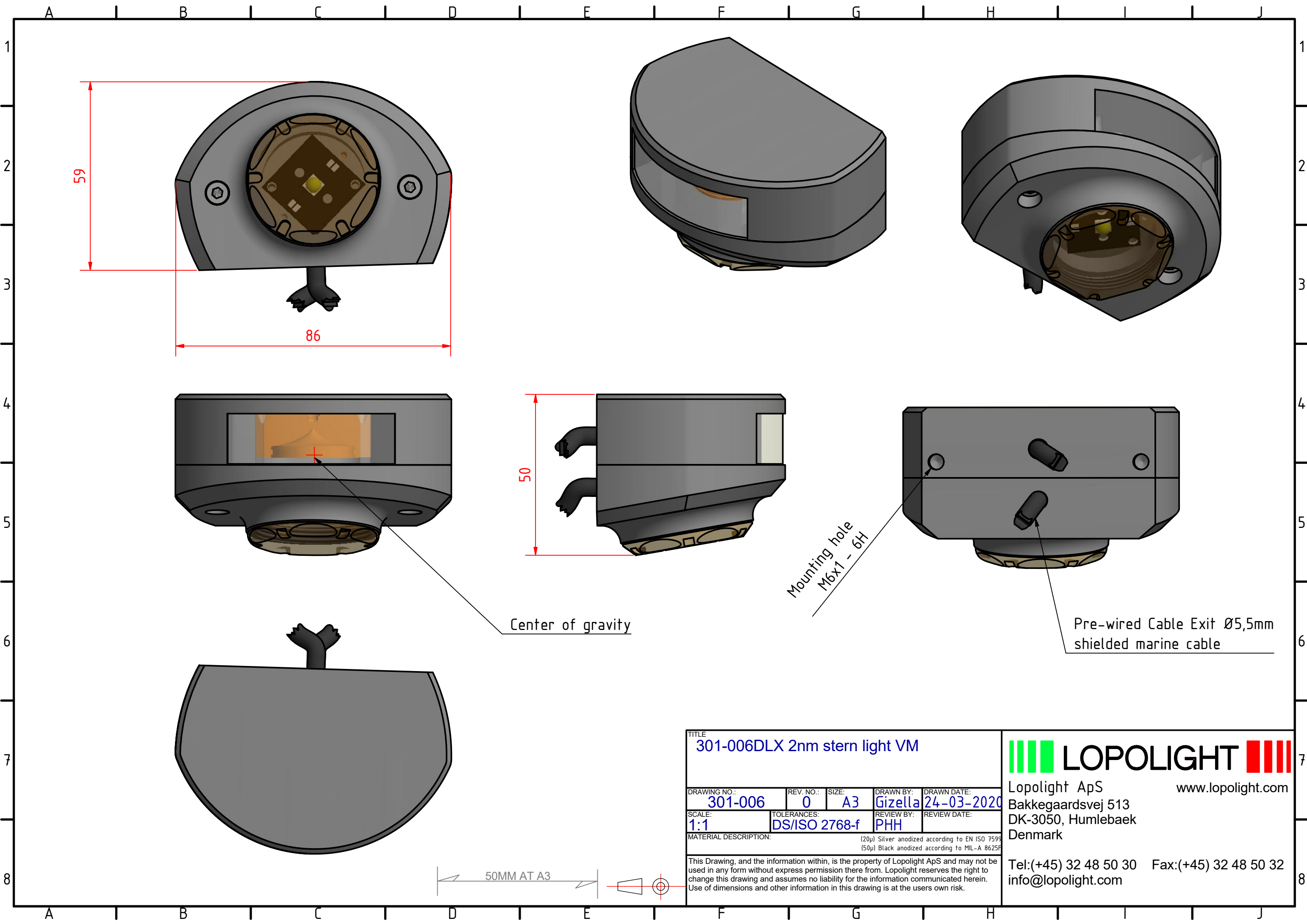
Warranty conditions can be found on [www.lopolight.com/Home/Service](http://www.lopolight.com/Home/Service)

Included in package:

- 1 pc. Navigation light w. deck light, pre-cabled with 2x2,5m marine grade cable
- 4 pcs. Mounting screws (M6 x 8 mm)
- Installation instructions

### Ordering information

VISIBILITY	CABLE LENGTH	PART NUMBER SILVER FINISH	PART NUMBER BLACK FINISH
2 nautical miles	2,5 m / 8,3' (standard)	301-006DLX	N/A



Center of gravity

Mounting hole  
M6x1 - 6H

Pre-wired Cable Exit Ø5,5mm  
shielded marine cable

TITLE <b>301-006DLX 2nm stern light VM</b>			
DRAWING NO.: <b>301-006</b>	REV. NO.: <b>0</b>	SIZE: <b>A3</b>	DRAWN BY: <b>Gizella</b>
SCALE: <b>1:1</b>		TOLERANCES: <b>DS/ISO 2768-f</b>	DRAWN DATE: <b>24-03-2020</b>
MATERIAL DESCRIPTION: <small>(20µ) Silver anodized according to EN ISO 7599 (50µ) Black anodized according to MIL-A 8625F</small>		REVIEW BY: <b>PHH</b>	REVIEW DATE:
<small>This Drawing, and the information within, is the property of Lopolight ApS and may not be used in any form without express permission there from. Lopolight reserves the right to change this drawing and assumes no liability for the information communicated herein. Use of dimensions and other information in this drawing is at the users own risk.</small>			



Lopolight ApS www.lopolight.com  
 Bakkegaardsvej 513  
 DK-3050, Humlebaek  
 Denmark  
 Tel:(+45) 32 48 50 30 Fax:(+45) 32 48 50 32  
 info@lopolight.com

