

SPEEDSHIELD Order Form and Product Guide

Customer _____
 Address _____

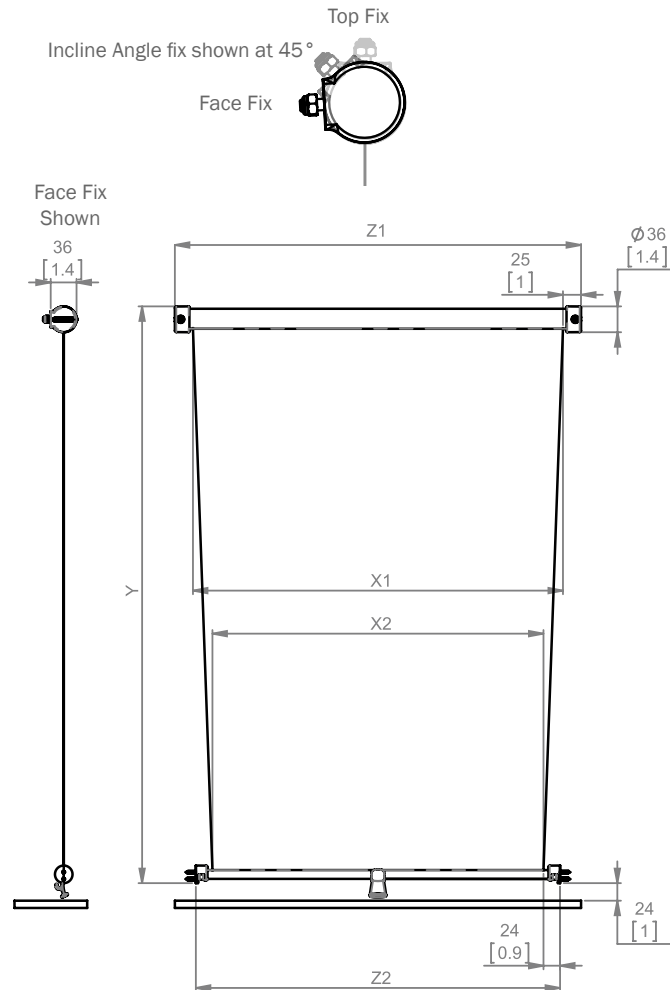
Tel _____
 Fax _____
 Mobile _____
 Email _____

Order _____ Quote _____
 Project Name _____
 Project Location _____
 Date _____

1	2	3		4	5	6	7	8		9
Item	Location	Width (X1 & X2 Or Z1 & Z2)		Drop (Y)	Fabric Colour	Hardware Colour	Damper	Top	Face	Qty
1		X1 _____ X2 _____	Z1 _____ Z2 _____	_____	Charcoal Custom	Silver Anodised White Black	Yes No	_____	_____	_____
2		X1 _____ X2 _____	Z1 _____ Z2 _____	_____	Charcoal Custom	Silver Anodised White Black	Yes No	_____	_____	_____
3		X1 _____ X2 _____	Z1 _____ Z2 _____	_____	Charcoal Custom	Silver Anodised White Black	Yes No	_____	_____	_____
4		X1 _____ X2 _____	Z1 _____ Z2 _____	_____	Charcoal Custom	Silver Anodised White Black	Yes No	_____	_____	_____
5		X1 _____ X2 _____	Z1 _____ Z2 _____	_____	Charcoal Custom	Silver Anodised White Black	Yes No	_____	_____	_____

Notes:

- Please provide either 'X' (fabric dimension) or 'Z' (overall blind dimension) measurement.
- Width: Min 200 mm [7 7/8"] - Max 700 mm [27 9/16"] in standard fabric.
- Drop: Min 100 mm [3 15/16"] - Max 930 mm [36 5/8"] in standard fabric.
- Standard fabric is Odyssey 3 - Charcoal. Other colours are available, please contact Dometic.
- Mouldings are only available in grey.
- Incline angle from top fix at 15° increments (15°, 30°, 45°, 60°, 75°)



Internal use only Customised