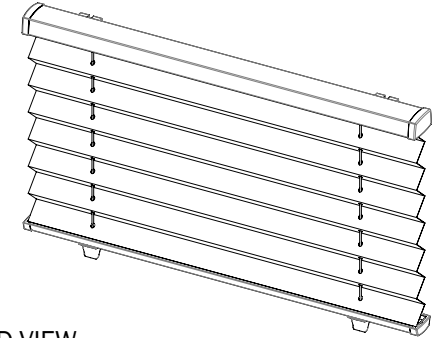


Customer _____
 Address _____

Tel _____
 Fax _____
 Mobile _____
 Email _____

Order _____
 Quote _____
 Project Name _____
 Project Location _____
 Date _____

ID	Location	Standard sizes State Hardware Colour and quantity required		Width (X)	Drop (Y)	Fabric	Hardware colour	Fixings	Handle Type	Qty
1		1 2	3 4				White Beige Graphite	Top Face; Fixed Face; Adjustable	Face Fix Bottom Fix	
2		1 2	3 4				White Beige Graphite	Top Face; Fixed Face; Adjustable	Face Fix Bottom Fix	
3		1 2	3 4				White Beige Graphite	Top Face; Fixed Face; Adjustable	Face Fix Bottom Fix	
4		1 2	3 4				White Beige Graphite	Top Face; Fixed Face; Adjustable	Face Fix Bottom Fix	



Maximums and minimums

	Min	Max
Width	280mm [11"]	1500mm [59 1/16"]
Drop	150mm [5 7/8"]	1000mm [39 3/8"]

Standard sizes

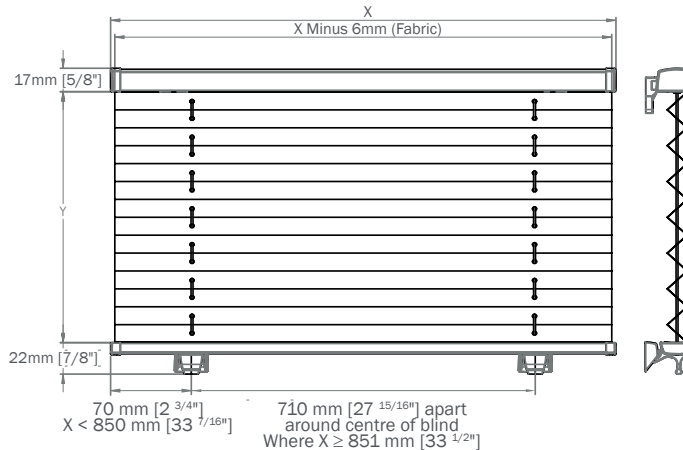
Size	Width [X]	Drop [Y]	Fix
1	350mm [13 3/8"]	400mm [15 3/8"]	Face Fix
2	450mm [17 11/16"]	520mm [20 1/2"]	Face Fix
3	550mm [21 5/8"]	640mm [25 3/16"]	Face Fix
4	680mm [26 3/8"]	750mm [29 1/2"]	Face Fix

Standard size blinds are available in beige or white hardware with matching "Uno" fabric.

Fabric selection

Please select any **SKYSOL 20 / 25mm** fabric except "Harmony" from the online fabric collection.

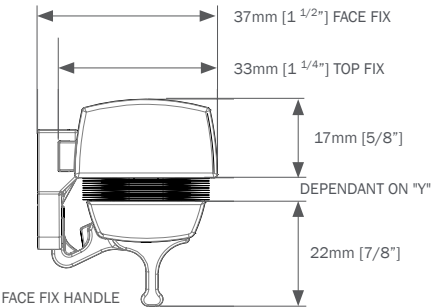
2 cords are shown, more cords will be required depending on size or fabric selected.



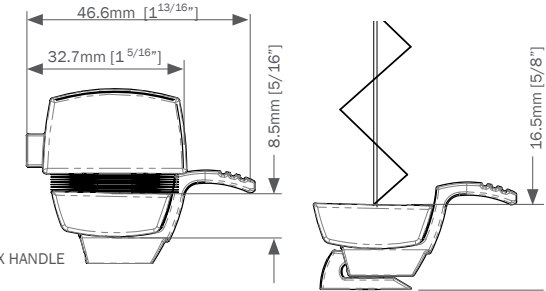
TOP VIEW



END VIEW



FACE FIX HANDLE



BOTTOM FIX HANDLE

FRONT VIEW

