

# SKYSOL PLEATEDSHADE

## Order Form and Product Guide

Customer \_\_\_\_\_  
 Address \_\_\_\_\_  
 \_\_\_\_\_  
 \_\_\_\_\_

Tel \_\_\_\_\_  
 Fax \_\_\_\_\_  
 Mobile \_\_\_\_\_  
 Email \_\_\_\_\_

Order \_\_\_\_\_  
 Project Name \_\_\_\_\_  
 Project Location \_\_\_\_\_  
 Date \_\_\_\_\_

Item	Window ID	Retail Blind Sizes If selected just give quantity required	Size & Shape						Fabric Colour	Blackout Liner	Hold up option (Poppers not available on Framefix blinds)	Top or bottom stack	Hold down options (Crossbar not available on Framefix blinds)	Hold down peg colour (bungee only)	Fixing Options			Qty
			Width	Drop	Shape type See page 3	A (Cloth width)	B (Diagonal)	C (Diagonal)							Face or Top Fix	No. of brackets	Distance between Bracket Centres A B	
1		1			1			Navy	Yes	Poppers	Top	Poppers	White	Standard Fix	Framefix			
		2			2										2			
		3			3										3			
		4			4										4			
		5			5										5			
		See table below for Dimensions																
2		1			1			Navy	Yes	Poppers	Top	Poppers	White	Standard Fix	Framefix			
		2			2										2			
		3			3										3			
		4			4										4			
		5			5										5			
		See table below for Dimensions																
3		1			1			Navy	Yes	Poppers	Top	Poppers	White	Standard Fix	Framefix			
		2			2										2			
		3			3										3			
		4			4										4			
		5			5										5			
		See table below for Dimensions																

Maximum Sizes		X				
		≤1200 mm [47 1/4"]	≤1400 mm [55 1/8"]	≤1600 mm [63"]	≤1800 mm [70 7/8"]	≤2100 mm [82 11/16"]
Y	≤400 mm [15 3/4"]	✓	✓	✓	✓	✓
	≤500 mm [19 11/16"]	✓	✓	✓		
	≤600 mm [23 5/8"]	✓	✓			
	≤700 mm [27 9/16"]	✓				

Retail size	X	Y
1	381 mm [15"]	305 mm [12"]
2	508 mm [20"]	305 mm [12"]
3	635 mm [25"]	305 mm [12"]
4	762 mm [30"]	305 mm [12"]
5	1016 mm [40"]	305 mm [12"]

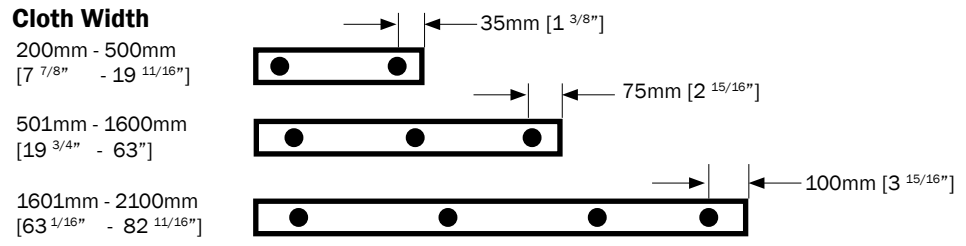
Internal use only Customised



# SKYSOL PLEATED SHADE

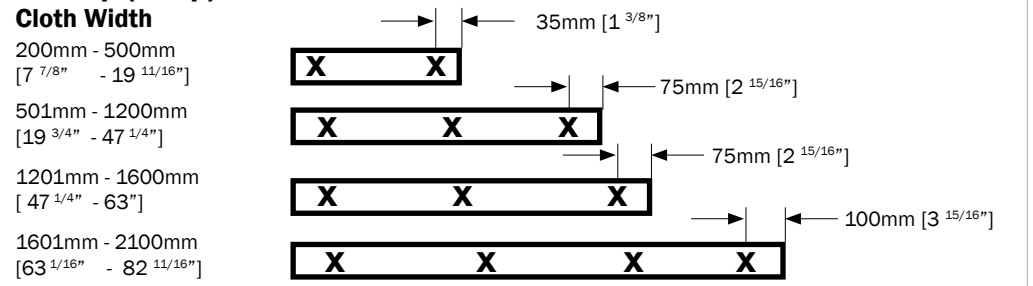
## Order Form and Product Guide

### Top Batten Fixings Positions

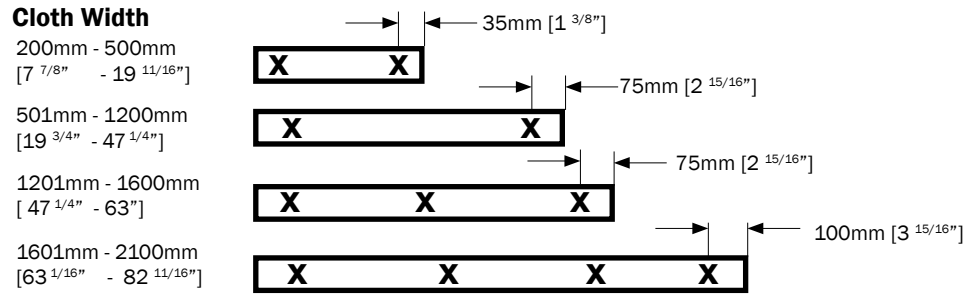


For stud positioning on shaped blinds, refer to drawing supplied with order

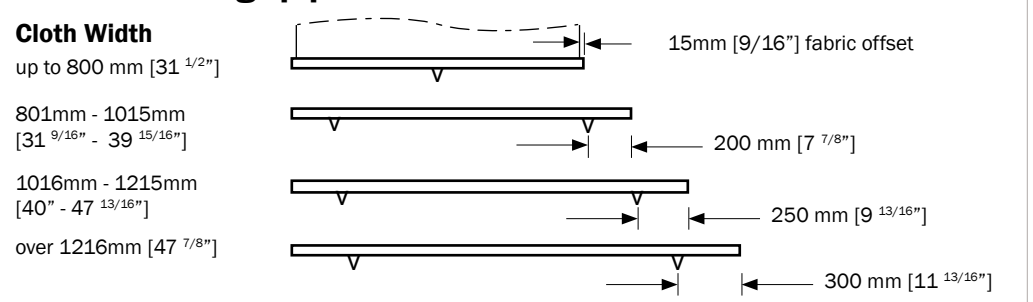
### Hold Up (strap) Positions



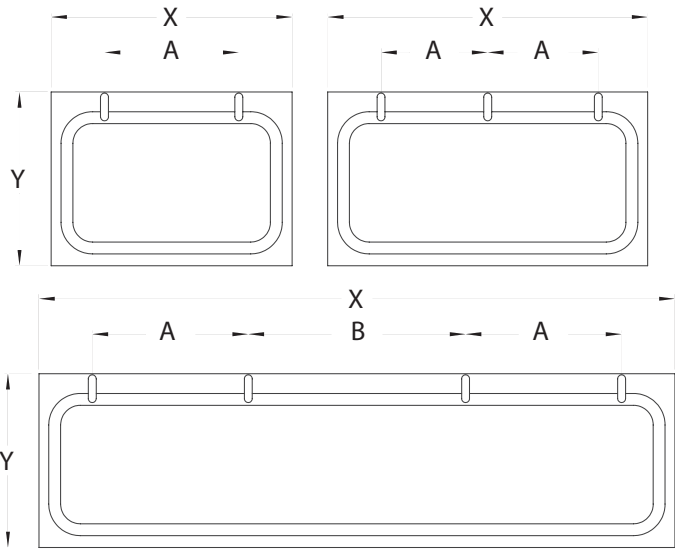
### Hold Down Positions



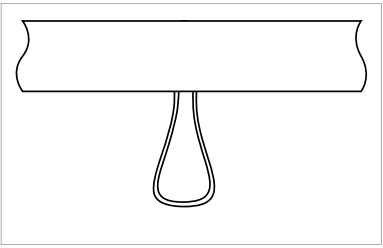
### Crossbar Minigrip positions



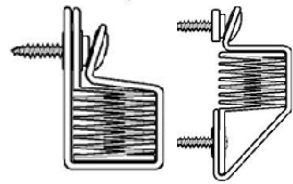
### Framefix bracket Layout configurations



### Bungee loop Sizes



### Face Fix

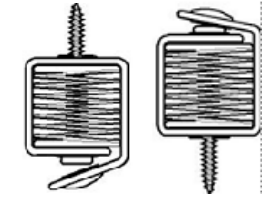


### Top Stack

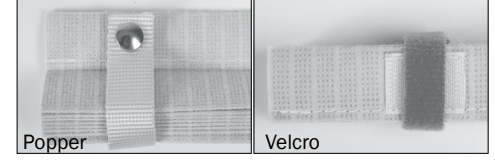
### Bottom Stack

### Top Fix

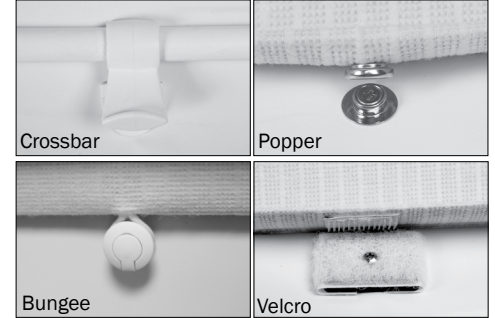
### Bottom Stack



### HOLD UP OPTIONS



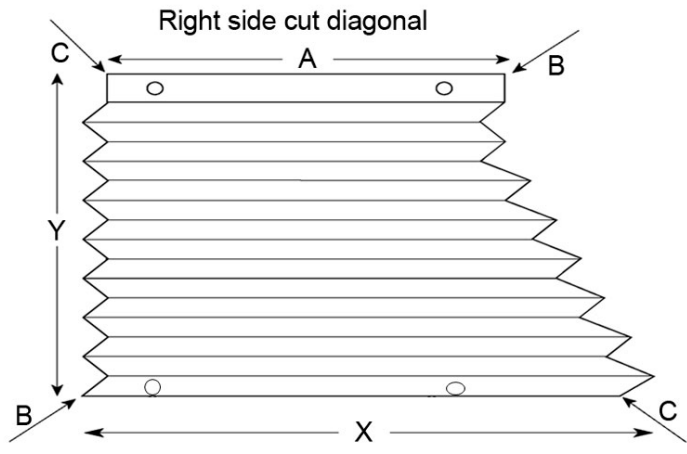
### HOLD DOWN OPTIONS



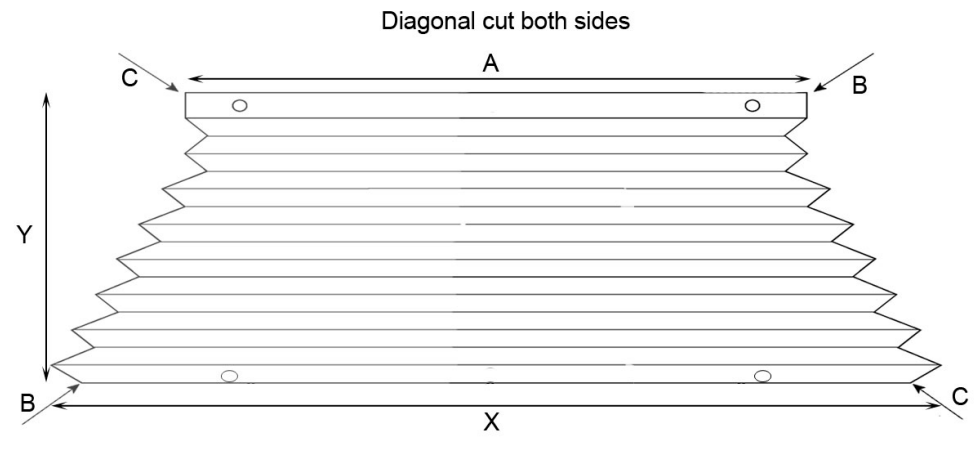
### Shapes

Shape 1 - Rectangle

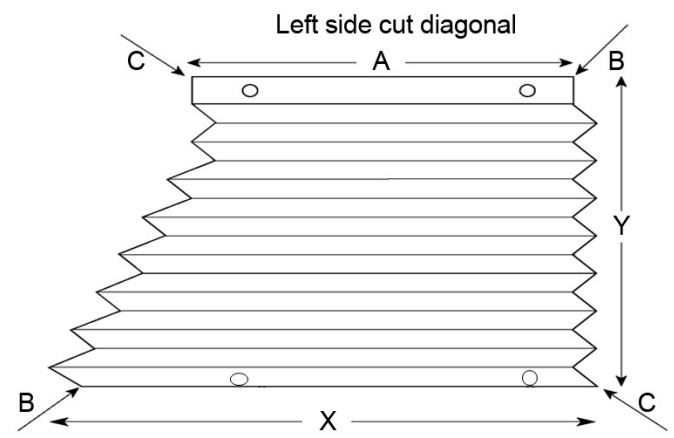
Shape 5 - Custom shape to be approved by Dometic



Shape 2



Shape 3



Shape 4