

OPENSHADE Powered

Order Form and Product Guide

Customer _____
 Address _____

Tel _____
 Fax _____
 Mobile _____
 Email _____

Order _____
 Quote _____
 Project Name _____
 Project Location _____
 Date _____

1 Window ID	2 Location	5 Dimensions	3 Fabric	4 Recess or Blind Dimensions	Motor Options	9 Fixing	10 Hembar Profile	11 Colour	12 Restraint Options			13 Fabric Layout options	15 Qty
									Free Hanging	Guide Wire <i>*Chrome only</i>	Side Tracks		
		Width Drop	OA Code or Custom* *Please fill in Cutom Fabric below	Recess Blind * *Bracket to Bracket	Code Wire Exit Point Left Right Connector * Yes No * QS Motor only	Top Face	Round Small Large Large Covered Pocketed weight bar Stitched Glued	White Beige Black Grey * *Round Hembar only		Hold Down Type: Chrome Dome Nickel Dome Chrome Flush Black Flush Nickel Flush		Direction off roller Front Back Fabric Face Inside Outside	
		Width Drop	OA Code or Custom* *Please fill in Cutom Fabric below	Recess Blind * *Bracket to Bracket	Code Wire Exit Point Left Right Connector * Yes No * QS Motor only	Top Face	Round Small Large Large Covered Pocketed Weight Bar Stitched glued	White Beige Black Grey * *Round Hembar only		Hold Down Type: Chrome Dome Nickel Dome Chrome Flush Black Flush Nickel Flush		Direction off roller Front Back Fabric Face Inside Outside	
		Width Drop	OA Code or Custom* *Please fill in Cutom Fabric below	Recess Blind * *Bracket to Bracket	Code Wire Exit Point Left Right Connector * Yes No * QS Motor only	Top Face	Round Small Large Large Covered Pocketed Weight Bar Stitched glued	White Beige Black Grey * *Round Hembar only		Hold Down Type: Chrome Dome Nickel Dome Chrome Flush Black Flush Nickel Flush		Direction off roller Front Back Fabric Face Inside Outside	

Column	Notes
3	For fabric selection please see online fabric collection
7	Motors are either switched or remote controlled see page 2 for details
10	Round hembar is not suitable for fabric over 0.45 mm thick. Use hembar to fabric compatibility chart
	A black brush strip is fitted to large and small hembars, not available on round or covered hembars
	Covered hembar has a small painted area visible on the back face
	Beige mouldings only available with round hembar assemblies
10 & 11	For hembar selection see page 2
	Hardware mouldings fitted as appropriate, available in White / Black / Grey
12	Side track assembly does 'not' give 100% blackout
	Side track external size = recess size (X + 4mm)

Custom fabric

Code / name	_____ / _____
Thickness / width	_____ / _____
Price per sqm	_____
Supplier:	_____ Phone _____
Supply minimum of 1 m ² of each fabric for suitability check	

Internal use only Customised



Motors

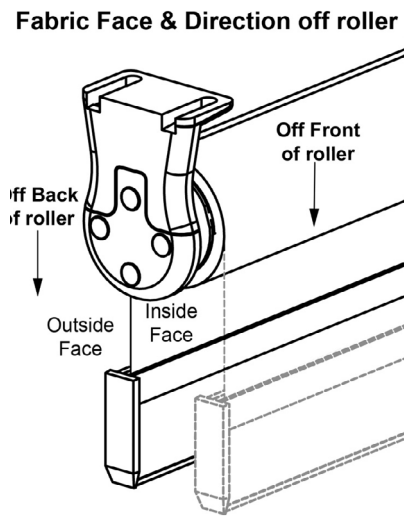
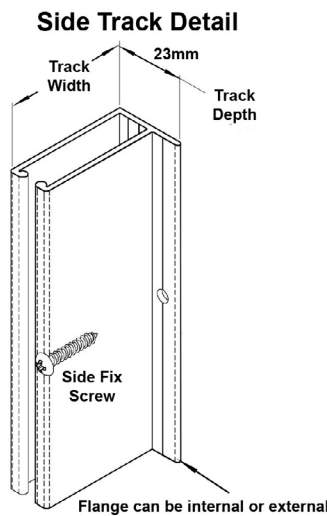
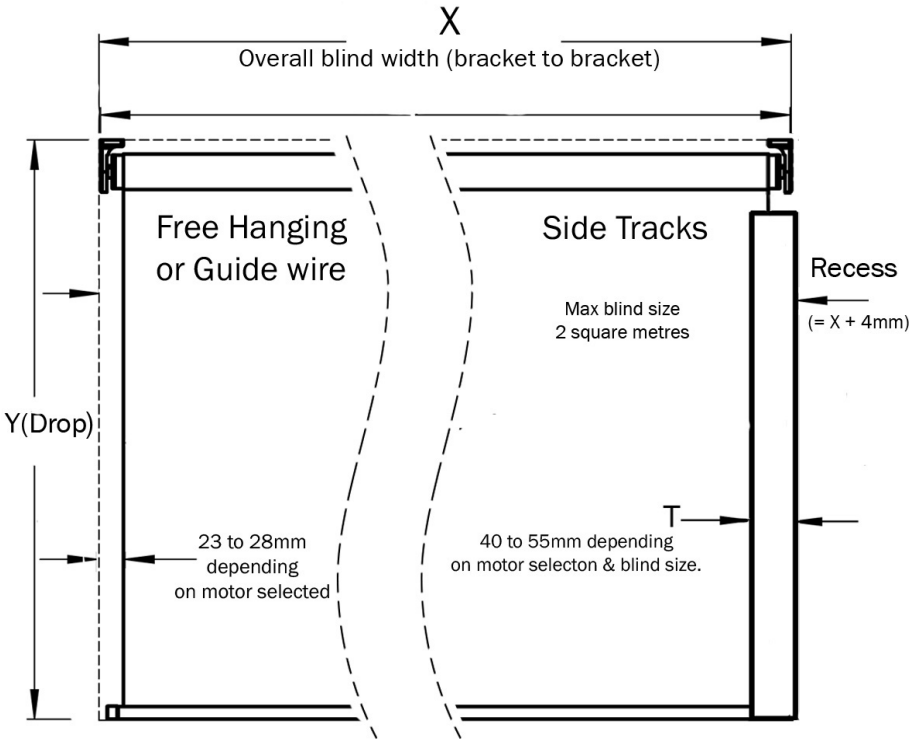
Motor code	Motor Description	Switched (SW) or remote controlled (R)	Torque Nm	RPM	Voltage	Min X	Max X		Max stowed dia	Max drop
							40 mm tube	50 mm tube		
40T14	Pacific 230R 433MHz 230v AC	R	10	16	230v AC	630 mm [24 13/16"]	2200 mm [86 5/8"]	3000 mm [118 1/8"]	75 mm [2 15/16"]	2000 mm [78 3/4"] to 3000 mm [118 1/8"]
40T24	Pacific 230R 868MHz 230v AC	R	10	16	230v AC					
40W4	Pacific 230R WT 230v AC	SW	10	16	230v AC					
38TW11	Atlantic 12R DCT 433MHz	SW or R	1.2	30	12v DC Regulated	460 mm [18 1/8"]	2000 mm [78 3/4"]	2000 mm [78 3/4"]	75 mm [2 15/16"]	2000 mm [78 3/4"]
38TW12	Atlantic 24R DCT 433MHz	SW or R	1.2	30	24v DC Regulated					
38TW21	Atlantic 12R DCT 868MHz	SW or R	1.2	30	12v DC Regulated					
38TW22	Atlantic 24R DCT 868MHz	SW or R	1.2	30	24v DC Regulated					
28WT	Somfy Roll Up 28WT	SW	0.8	30	24v DC Regulated	362 mm [14 1/4"]	2000 mm [78 3/4"]	N/A	50 mm [1 15/16"]	2000 mm [78 3/4"] to 3000 mm [118 1/8"]
S30D	Somfy Sonesse 30 DC	SW	2	28	24v DC Regulated	480 mm [18 7/8"]	2200 mm [86 5/8"]	2600 mm [102 3/8"]	75 mm [2 15/16"]	
S30R	Somfy Sonesse 30 RTS	R	2	28	24v DC Regulated	480 mm [18 7/8"]	2200 mm [86 5/8"]	2600 mm [102 3/8"]	75 mm [2 15/16"]	
S40W	Somfy Sonesse 40 WT 240v	SW	9	12	230v AC	590 mm [23 1/4"]	2200 mm [86 5/8"]	3000 mm [118 1/8"]	75 mm [2 15/16"]	
S40W2	Somfy Sonesse 40 WT 240v	SW	3	30	230v AC	560 mm [22 1/16"]	2200 mm [86 5/8"]	3000 mm [118 1/8"]	75 mm [2 15/16"]	
S40W1	Somfy Sonesse 40 WT 110v	SW	9	14	110v AC	590 mm [23 1/4"]	2200 mm [86 5/8"]	3000 mm [118 1/8"]	75 mm [2 15/16"]	
S40R	Somfy Sonesse 40 RTS 240v	R	9	12	230v AC	630 mm [24 13/16"]	2200 mm [86 5/8"]	3000 mm [118 1/8"]	75 mm [2 15/16"]	
S40R2	Somfy Sonesse 40 RTS 240v	R	3	30	230v AC	600 mm [23 5/8"]	2200 mm [86 5/8"]	3000 mm [118 1/8"]	75 mm [2 15/16"]	
S40R1	Somfy Sonesse 40 RTS 110v	R	9	14	110v AC	630 mm [24 13/16"]	2200 mm [86 5/8"]	3000 mm [118 1/8"]	75 mm [2 15/16"]	
LS64	Lutron QS 64 Standard version	**	1.1	42.2	24v DC	560 mm [22 1/16"]	2400 mm [94 1/2"]	N/A	75 mm [2 15/16"]	
LS64S	Lutron QS 64 Short version	**	0.55	42.2	24v DC	481 mm [18 15/16"]	2400 mm [94 1/2"]	N/A	75 mm [2 15/16"]	
LS100	Lutron QS 100 **	**	2.82	26.8	24v DC	700 mm [27 9/16"]	3400 mm [133 7/8"]	N/A	110 mm [4 5/16"]	2500 mm [98 7/16"] to 3800 mm [149 5/8"]

Max blind limits are only a guide, they are dependant on fabric size, type of weave, weight and quality. Motor torque and type of restraint selected are also factors, beyond these sizes please contact Dometic.

Notes:-

- When requesting a blind near the upper size limits, heavy fabrics may show signs of deflection (slight ripples), caused by total weight of roller, fabric and hembar etc, To avoid this, split the width to make 2 blinds, or discuss your requirements with Dometic.

**** Specialist motors please contact Dometic for more details**



Hold Downs



Dome Hold Down:
Chrome
Brushed Nickel



Flush Mounted Hold Down:
Chrome
Black
Brushed Nickel



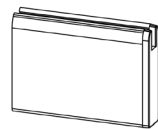
**Lutron™
QS Motor Connector**

Hembar

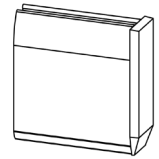
Restraint type	Hembar type			
	Pocketed weight bar	Round #	Small	Large
Free hanging	✓	✓	✓	✓
Guide wire		✓	✓#	✓#
Side track			✓	✓

Not available on QED or QS 100 Assemblies

Hembar Profiles



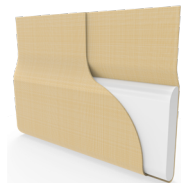
Small



Large



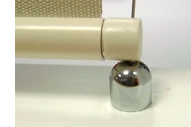
Round



Pocketed Weight Bar



Small or Large hembar with brush strip



13mm gap under round hembar