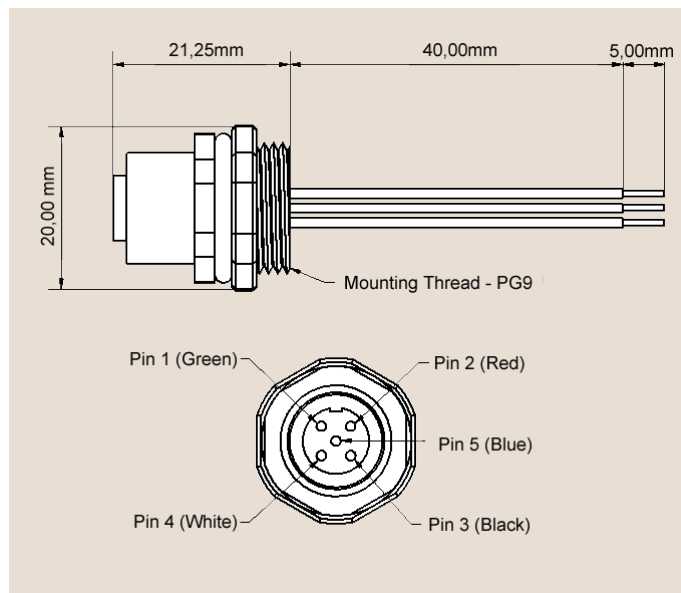




Micro Female Rear PMW Connector (Panel Mount Wired)

Technical Specifications

Electrical	
Rated Current	4 A
Rated Voltage	60 V (AC/DC)
Mechanical	
Contacts	Brass, gold plated
Contact Carrier	Nylon & GF
Contact Polarisation	Standard M12 -"A"- polarisation
Mating Thread	M12
O-Ring Seal	Rubber, green
Housing	Brass, nickel plated
Mounting Thread	PG9 (see diagram)
Mounting Nut	Brass, nickel plated - PG9
Mounting Hole Dimensions	15.3 mm (diameter)
Wires	18 AWG (stripped and tinned)
Wire Jacket	PVC
Weight	20 g
Approvals and Certifications	
Protection	IP67 (when mated)
Operating Temperature	-25°C to +90°C
Connector Specification	Meets IEC61076-2-101
NMEA 2000 Pending	
RoHS Compliant	
UL Certified (E321413)	



Connections

Name	Connector Pins	Wire Colour
NET-L	Pin 5	Blue
NET-H	Pin 4	White
Shield	Pin 1	Green
NET-S	Pin 2	Red
NET-C	Pin 3	Black

Part Number	Description
A2K-PMW-F	NMEA 2000 Micro Rear Panel Mount, Wired 5-pin Female