



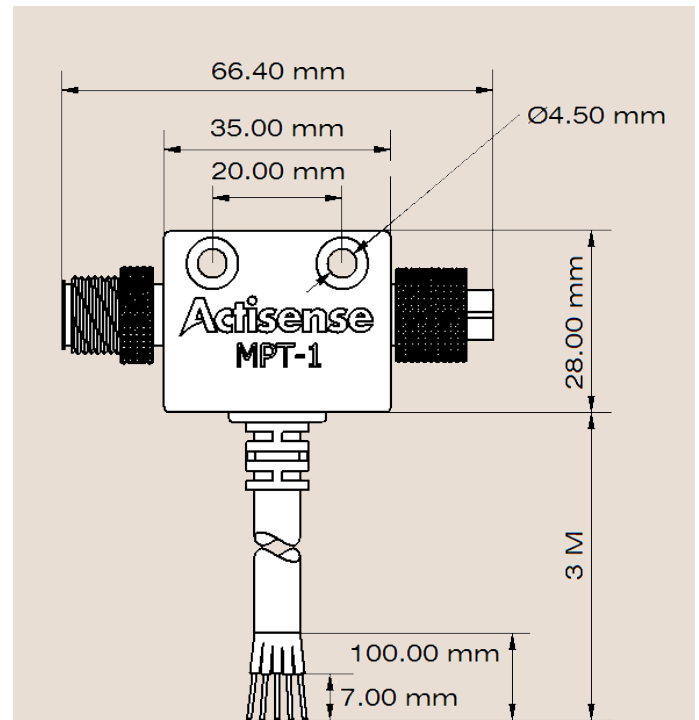
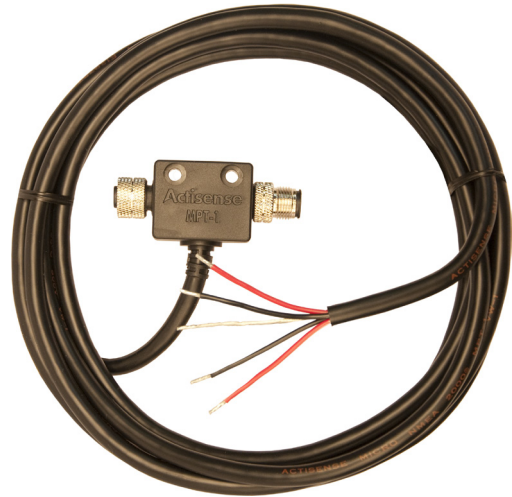
www.actisense.com  
 sales@actisense.com  
 +44 (0)1202 746882

**Actisense**<sup>®</sup>  
**NMEA 2000**<sup>®</sup>

## Micro Power-T

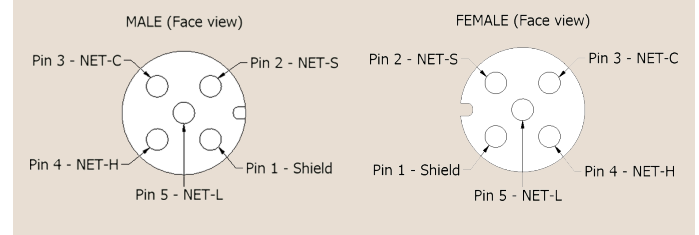
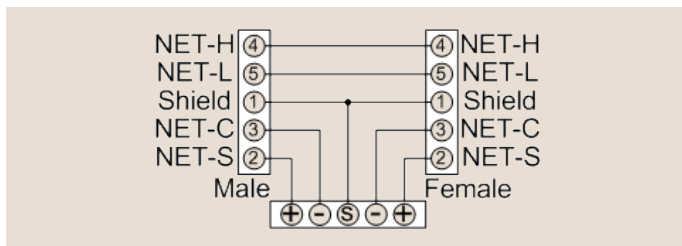
### Technical Specifications

Electrical	
Rated Current	4 A (each feed)
Rated Voltage	25 V (AC/DC)
Mechanical	
Male Contact	Brass, gold plated
Female Contact	Phosphor bronze, gold plated
Contact Carrier	PBT, black
Contact Polarisation	Standard M12 -"A"- polarisation
Mating Thread	M12
Screw Cap	Brass, nickel plated
O-Ring Seal	Rubber, black
Housing	PVC, black
Cable Jacket Material	0.8 mm Nom. PVC, black
Cable Outer Diameter	6.85 mm ±0.254 mm
Cable Length	3 M
Wire Length	100 mm (mm stripped)
Wire Jacket	PVC
Wires	18 AWG (stripped and tinned)
Drain	18 AWG (34 strand tinned copper)
Shield	Al-mylar
Weight	290 g
Approvals and Certifications	
Protection	IP67 (when mated)
Operating Temperature	-20°C to +70°C
Storage Temperature	-40°C to +85°C
NMEA 2000 Certified	
RoHS Compliant	
UL Certified (E137250, UL1277)	



### Connections

Name	Connector	Colour
Power	Male	Solid Red
Ground	Male	Solid Black
Shield	Male & Female	Bare
Power	Female	Red/White Stripe
Ground	Female	Black/White Stripe



Part Number	Description
A2K-MPT-1	NMEA 2000 Micro Power-T