

Customer _____
 Address _____

Tel _____
 Fax _____
 Mobile _____
 Email _____

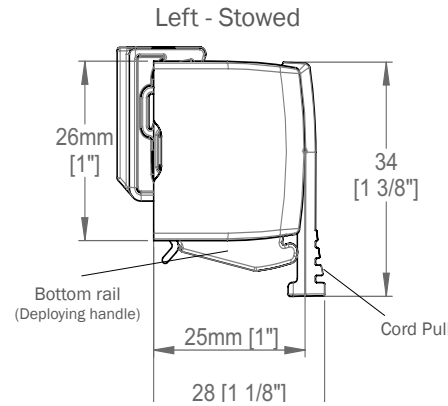
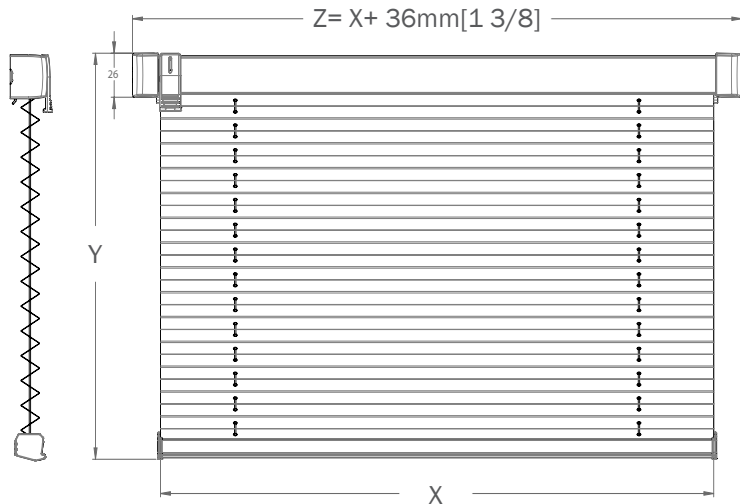
Order _____
 Quote _____
 Project Name _____
 Project Location _____
 Date _____

ID	Location	Blind or Recess	Standard Size	Width	Drop	Colour	Fixings	Qty
1		Blind Recess				White Beige	Top Fix Face Fix	
2		Blind Recess				White Beige	Top Fix Face Fix	
3		Blind Recess				White Beige	Top Fix Face Fix	
4		Blind Recess				White Beige	Top Fix Face Fix	

Maximums and minimums

	Min	Max
Width	250mm [11 13/16"]	600mm [25 3/16"]
Drop	100mm [3 15/16"]	355mm [14"]

Standard Sizes	X	Y
SMI-1	365mm [14 3/8"]	320mm [12 5/8"]
SMI-2	415mm [16 5/16"]	355mm [14"]
SMI-3	470mm [18 1/2"]	355mm [14"]
SMI-4	550mm [21 5/8"]	355mm [14"]
SM-5	600mm [23 5/8"]	355mm [14"]



Max Y (drop) must be at least 30mm less than X (width)

Blind or Recess.

- Hardware width (Z) of blind is fabric width (X) plus 36mm (18mm per side) allowance for end caps. If recess is specified an additional allowance for installation / clearance is made of 2mm per side, resulting in fabric width 40mm less than recess (20mm each side).
- The overall blind drop Y is measured from top of headrail to bottom of moving rail. No deduction is made for either blind or recess fit.
- If not fitting in recess consider suitable overlap to minimise light bleed or gap around blind, and allow for upper and lower fixings.

Fabric

Available in "Flow" White and Beige fabric.

On installation ensure clearance is allowed to access the handle/bottom rail and deploy the blind.

Top View



Front View



Magnetic Restraint Spacing