

WINDOWSHADE 2 Powered

Order Form and Product Guide

Customer _____
 Address _____

Tel _____
 Fax _____
 Mobile _____
 Email _____

Order _____
 Quote _____
 Project Name _____
 Project Location _____
 Date _____

1 ID	2 Location	3 Fabric	4 Recess or Blind	5 Width	6 Drop	7 Headrail model	8 Motor	9 Motor wire exit point	10 Restraint Options			11 Hardware colour	12 Hembar profile			13 Headrail fix	14 Headrail mount	15 Qty
									Free Hanging	Guide Wire <i>*Chrome only</i>	Side Tracks		Round	Small	Large			
		OA Code or Custom* *Please fill in Cutom fabric below	Recess Blind			45 65 85	code Connector reqd (QS Motor only) Yes No	Left Right		Type: Dome* Flush Mounted Finish: Chrome Black Nickel	White Beige Black	Round Small Large Large Covered	Top Face	Forward Reversed				
		OA Code or Custom* *Please fill in Cutom fabric below	Recess Blind			45 65 85	code Connector reqd (QS Motor only) Yes No	Left Right		Type: Dome* Flush Mounted Finish: Chrome Black Nickel	White Beige Black	Round Small Large Large Covered	Top Face	Forward Reversed				
		OA Code or Custom* *Please fill in Cutom fabric below	Recess Blind			45 65 85	code Connector reqd (QS Motor only) Yes No	Left Right		Type: Dome* Flush Mounted Finish: Chrome Black Nickel	White Beige Black	Round Small Large Large Covered	Top Face	Forward Reversed				

Column	Notes
3	See Online Fabric Collection , solarshield fabric: available with large hembar, headrail is determined by motor and max X 1200mm [47 ¹ / ₄].
4	The blind, headrail and side tracks are made slightly smaller than the recess to allow for installation. Side tracks are side fix only.
7	See tech info for actual headrail sizes.
8	Depending on motor selected, min & max blind limits can change, see page 2 for motor options.
11	Plastic moulding only available in black & white and will be colour matched to chosen hardware as best as possible.
12	Oceanair reserves the right to slightly vary the chosen hembar depending on the selected fabric & blind size, to improve the blind function. Fabric covered hembar only available with tested fabrics.
14	When reverse headrail is selected, the blind drop limits shown may be reduced on thicker fabrics and after installation, access may be required via the cover to fabric or motor.

Custom fabric

Code / Name _____ / _____
 Thickness / Width _____ / _____
 Price per Sqm _____
 Supplier: _____ Phone _____

Supply minimum of 1 m² of each fabric for suitability check

Note:

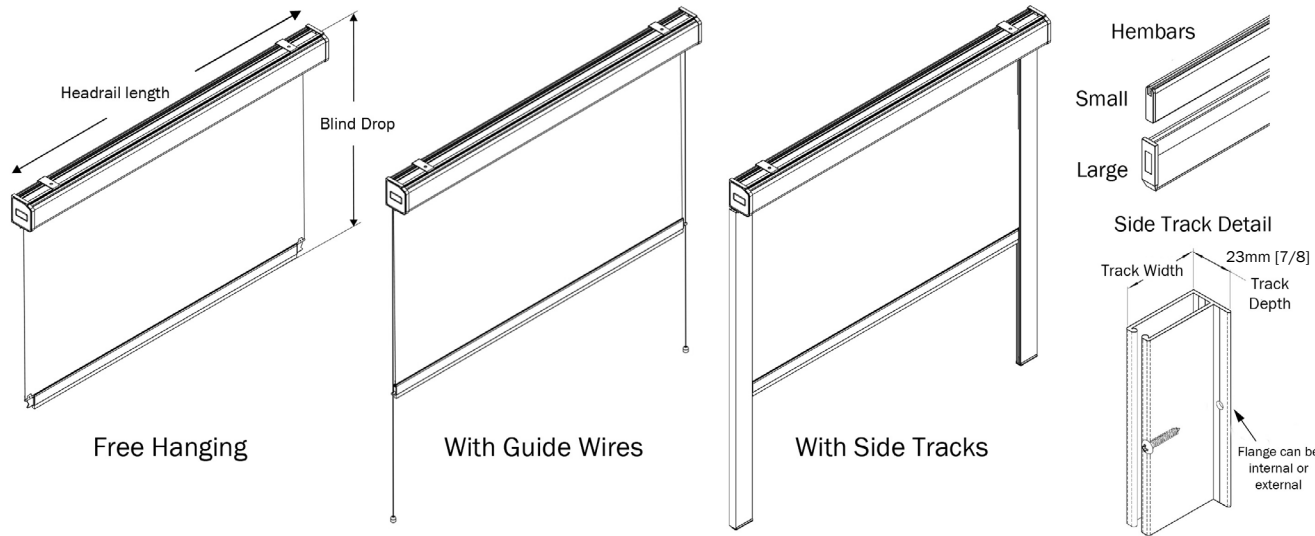
- When near the upper blind 'X' limits, heavy fabric blinds may show signs of deflection (slight ripples) caused by the total weight of the roller, fabric and hembar. A solution to avoid this is to split the recess into two blinds. For blinds larger than the limits shown - please consult Oceanair.

WINDOWSHADE 2 Powered

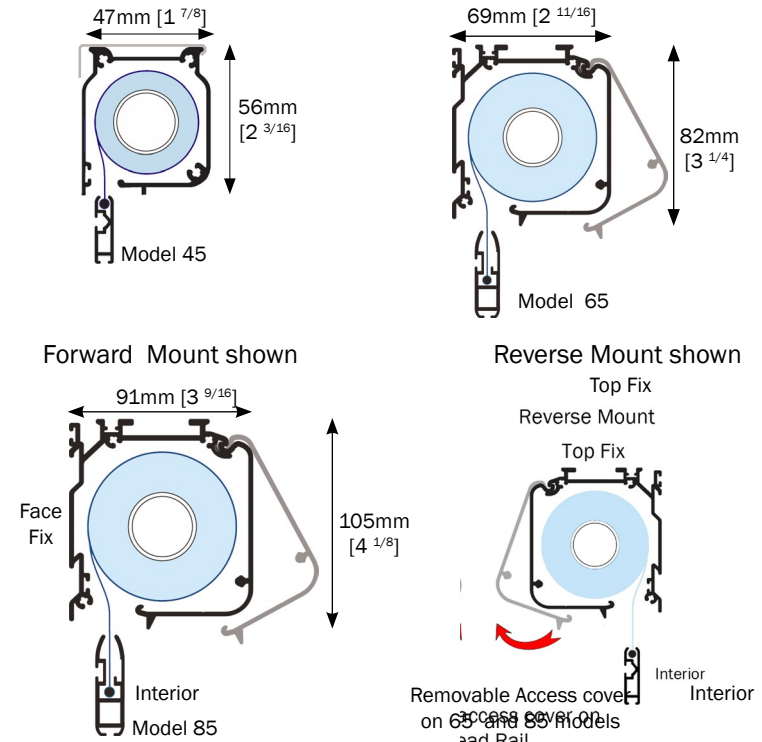
Motor code	Motor Description	Switched (SW) or remote controlled (R)	Torque Nm	RPM	Supply voltage	Min X	Max Width X			Max Drop Y		
							Headrail model			Headrail model		
							45	65	85	45	65	85
28WT	Somfy Roll Up 28WT	SW	0.8	30	24v DC Regulated	372mm [14 5/8"]	1900mm [74 3/16"]			1200mm [47 1/4"]		
S30D	Somfy Sonesse 30 DC	SW	2	28	24v DC Regulated	550mm [21 5/8"]	N/A	2400mm [94 1/2"]	3000mm [118 1/2"]	N/A	2000mm [78 3/4"]	2700mm [106 5/16"]
S30R	Somfy Sonesse 30 RTS	R	2	28	24v DC Regulated	550mm [21 5/8"]						
S40W	Somfy Sonesse 40 WT 240v	SW	9	12	240vAC	680mm [26 3/4"]						
S40W1	Somfy Sonesse 40 WT 110v	SW	9	14	110vAC	680mm [26 3/4"]						
S40R	Somfy Sonesse 40 RTS 240v	R	9	12	240vAC	680mm [26 3/4"]						
S40R1	Somfy Sonesse 40 RTS 110v	R	9	14	110vAC	680mm [26 3/4"]						
LD64	Lutron QED 64 **	**	1.1	43	240vAC	600mm [23 5/8"]						
LS64	Lutron QS 64 **	**	1.1	43	240vAC	600mm [23 5/8"]						

Notes: ● Blind limits are dependent on fabric thickness, therefore are a guide only. Beyond these sizes please contact Oceanair.

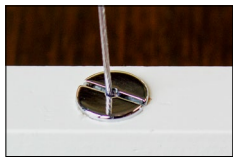
** Specialist motors please contact Oceanair for more details



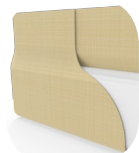
Headrail dimensions including fixing bracket



Small or Large hembar with brush strip and chrome domes HoldDown



Guide Wire with NEW Flush Mounted Chrome Hold Down



Pocketed Weight Bar



Lutron™ QS Motor Connector

Oceanair Marine Ltd Chichester PO20 0AY United Kingdom

Tel: +44 (0)1243 606909 Fax: +44 (0)1243 608300

www.oceanair.co.uk email: salesenquiries@oceanair.co.uk