

SKYSOL Track Large Order Form and Product Guide

Customer _____	Tel _____	Order _____	Quote _____
Address _____	Fax _____	Project Name _____	
_____	Mobile _____	Project Location _____	
_____	Email _____	Date _____	

1	2	3	4	5	6	7	8	9	10	11	12	13
ID	Location	width (X) ¹	Straight line Length(Y) ²	Duette™ Fabric code ³	Control	Head rail	Moving rail	Side track	Track curved or straight ²	Manual Handle type	Powered Switches, transformers or controls required	Qty
1					Manual Powered ⁴	White Beige Custom ⁵	White Beige Custom ⁵	White Beige Custom ⁵	Curved DWG or CAD Template	Oceanair fixed handle	yes ⁴ No	
									Straight			
2					Manual Powered ⁴	White Beige Custom ⁵	White Beige Custom ⁵	White Beige Custom ⁵	Curved DWG or CAD Template	Oceanair fixed handle	yes ⁴ No	
									Straight			
3					Manual Powered ⁴	White Beige Custom ⁵	White Beige Custom ⁵	White Beige Custom ⁵	Curved DWG or CAD Template	Oceanair fixed handle	yes ⁴ No	
									Straight			

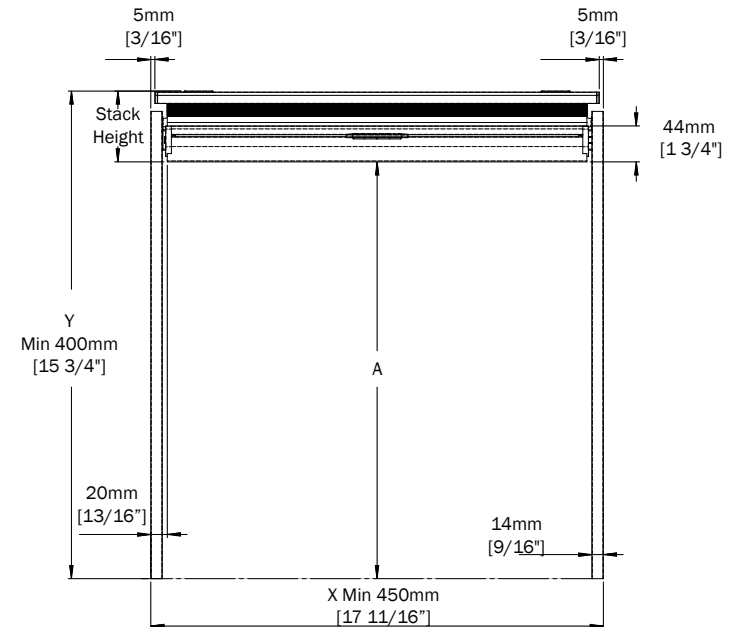
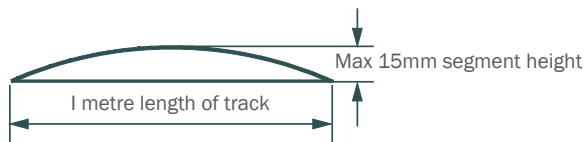
Minimum and Maximum Dimensions

	Width (X)		Drop (Y)	
	Min	Max	Min	Max
Manual	450mm [17 11/16"]	2200mm [87"]	400mm [15 3/4"]	3000mm [118"]
Powered	600 mm [23 5/8"]		700 mm [27 9/16"]	

The powered version is limited to max 4.5 square meters.

- The blind will work in a recess that is up to 10mm wider than the specified X, however this will increase light gap on each side of the blind.
- Straight track can be flexed on installation up to maximum segment height of 15mm over a track length of 1 metre.
 - Tracks with a cord a length greater than 15mm are treated as curved and a drawing or template will be required.
 - If "Meet in Middle " is required, order two single blinds with half the recess drop.
- 25mm Duette™ only, please see online fabric collection for codes: www.oceanair.co.uk/fabric-collection.
- Please fill in a [Powered Accessories Custom Order Form](#).
- Moving rail endcaps and seals are available in beige or white, track gliders are in white only.

Tracks are mounted perpendicular to recess, see tech sheet for tolerances.



Oceanair Marine Ltd Chichester PO20 0AY United Kingdom
 Tel: +44 (0)1243 606909 Fax : +44 (0)1243 608300

www.oceanair.co.uk email: salesenquiries@oceanair.co.uk