

OPENSHADE Manual

Order Form and Product Guide

Customer _____ Tel _____
 Address _____ Mobile _____
 Email _____

Order _____ Quote _____ Date _____
 Project Name _____
 Project Location _____

Disclaimer: **Are any of the blinds on this order to be installed where children under 42 months old are likely to be allowed?** Yes **No** **Signed** _____ **Print** _____

1 ID	2 Location	3 Fabric	4 Fabric layout Options	5 Blind Type and Fixing Options	6 Dimension	7 Control Type	8 Control Position	9 Hembar Profile	10 Hardware Colour	11 Restraint options			12 Qty
										Free hanging	Guide Wire	Side Tracks	
		OA Code Or Custom* *Please fill in Custom Fabric below	Direction Off roller Front Back Fabric Face Inside Outside	Recess Blind* *Bracket to Bracket Fixing Top Face	Width _____ Drop _____ Install Height _____	Ratchet Sprung Ball Chain Round Hembar hold down options (Sprung model only) Mini Grip Toggle Long Toggle Pegs	N/A Left Right Cord Tidy Chrome Black White Nickel Black White	Round Small Large Large Covered Pocketed weight bar stitched glued	White Beige Black Grey* *Round Hembar nly		Type: Dome* Flush Mounted Finish: Chrome Black Nickel Nickel		
		OA Code Or Custom* *Please fill in Custom Fabric below	Direction Off roller Front Back Fabric Face Inside Outside	Recess Blind* *Bracket to Bracket Fixing Top Face	Width _____ Drop _____ Install Height _____	Ratchet Sprung Ball Chain Round Hembar hold down options (Sprung model only) Mini Grip Toggle Long Toggle Pegs	N/A Left Right Cord Tidy Chrome Black White Nickel Black White	Round Small Large Large Covered Pocketed weight bar stitched glued	White Beige Black Grey* *Round Hembar nly		Type: Dome* Flush Mounted Finish: Chrome Black Nickel Nickel		

Column	Notes
3	For fabric selection please see online fabric collection Round hembar, not suitable for fabric over 0.45 mm thick.
4	For blind sizes see page 2. (Bracket to Bracket)
5	Side track external size equals recess size (X + 4mm)
6	Installation height required for cord operated blinds. EN13120 Standards demand the distance from the floor to the bottom of the pull cord(s) shall be at least 1500mm [59 1/16"].
7	Side track restraint option is supplied with sprung control option only Decelerators fitted to sprung blinds where deemed necessary
9	Covered hembar has a small painted area visible on back face A black brush strip is fitted to large and small hembars, not available on round or covered hembars
10	Beige moulding only available round hembar Hardware mouldings fitted as appropriate, available in white, black or grey
11	Side tracks do not provide 100% blackout

Custom Fabric

Code / name _____ / _____
 Thickness / width _____ / _____
 Price per sqm _____
 Supplier: _____ Phone _____
 Supply minimum of 1 m² of each fabric for suitability check



Topic: Similar roller size for various blinds.

When constructing a quote, it may be possible to use similar roller sizes (tube size).
 Please tick box if you wish us to consider this feature
 Note: The ability to achieve this is subject to the variation of blind sizes on your quote & types of drive etc

Internal use only Customised

OPENSHADE Manual

Order Form and Product Guide

Control Types	Restraint	Min X	Max X	Tube Size	Drop Min Y	Max Y	Estimated Fabric light Gap	Max stowed diameter	Hembars					Hold downs options			
									Round	Small	Large	Large covered	Pocketed weight bar	Minigrip	Toggle	Long toggle	Pegs
Chain LH or RH	Free hanging	200	1800	32	150	2 to 3m	22	46	✓	✓	✓	✓	✓				
		1800	2400	36	150	2 to 3m	30	60	✓	✓	✓	✓	✓				
	Guide wires	200	1800	32	150	2 to 3m	22	46	✓	✓	✓	✓					
		1800	2400	36	150	2 to 3m	30	60	✓	✓	✓	✓					
Ratchet	Free hanging	600	1200	23	150	1.6m	14	46	✓								
		650	1800	32	150	2 to 3m	16	60	✓								
		1800	2400	36	150	2 to 3m	16	60	✓								
Sprung	Free hanging	600	1200	23	150	1.6m	14	46	✓					✓	✓	✓	✓
		650	1800	32	150	2 to 3m	16	60	✓					✓	✓	✓	✓
		1800	2400	36	150	2 to 3m	16	60	✓					✓	✓	✓	✓
	Guide wires	600	1200	23	150	1.6m	19	46	✓					✓	✓	✓	
		650	1800	32	150	2 to 3m	19	60	✓					✓	✓	✓	
		1800	2400	36	150	2 to 3m	19	60	✓					✓	✓	✓	
	Side tracks	600	1200	23	150	1.6m	N/A	46				✓					
		650	1800	32	150	1.6m	N/A	60				✓					
		650	2400	36	150	1.6m	N/A	60				✓					

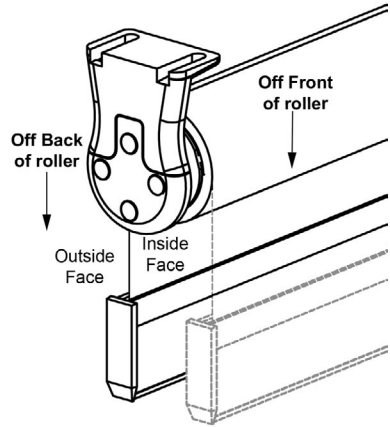
Notes:

- Blind limits are dependent on fabric thickness, therefore are a guide only, beyond these sizes please contact Oceanair
- When requesting a blind near the upper size limits, heavy fabrics may show signs of deflection, slight fabric ripples caused by total weight of roller, fabric and hembar etc. To avoid this, split the width to make 2 blinds, or discuss your requirements with Oceanair.

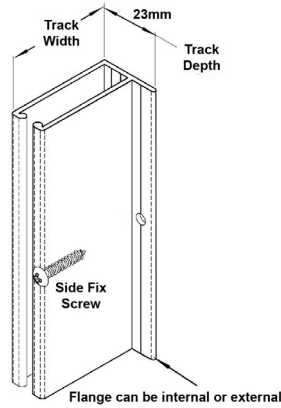
OPENSHADE Manual

Order Form and Product Guide

Fabric Face & Direction off roller



Side Track Detail



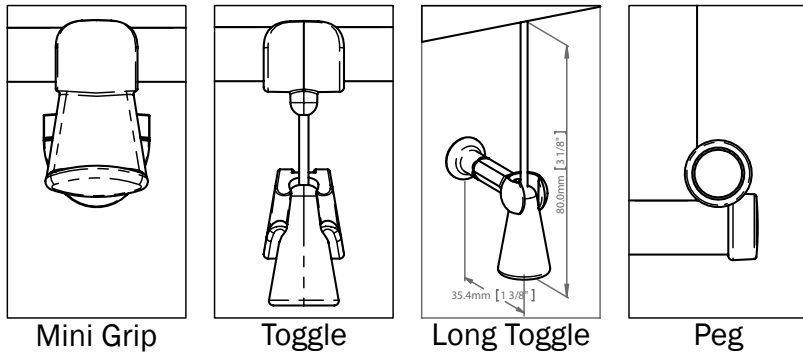
Guide wiring Options with Chrome dome



Small or Large hembar with brush strip

13mm gap under round hembar

Guide Wire with **NEW** Flush Mounted Chrome Hold Down



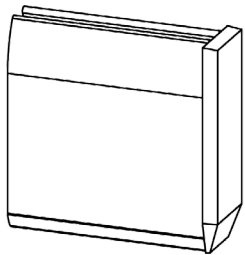
Mini Grip

Toggle

Long Toggle

Peg

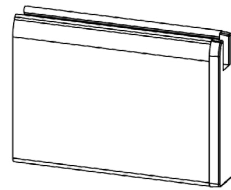
Hembar Profiles



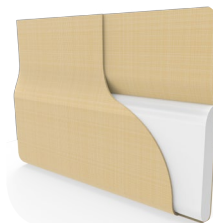
Large



Round



Small



Pocketed Weight Bar

