

SOLARSHIELD

Order Form and Product Guide

Customer _____
 Address _____

Tel _____
 Fax _____
 Mobile _____
 Email _____

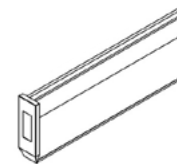
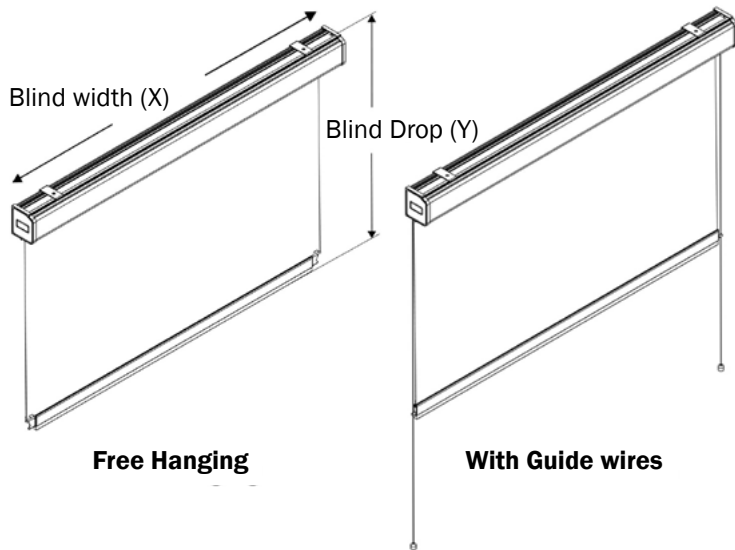
Order _____
 Quote _____
 Project Name _____
 Project Location _____
 Date _____

1 Window ID	2 Location	3 Recess or Blind	4 Width (X)	5 Drop (Y)	6 Control Type	7 Control Position	8 Restraint options	9 Hardware Colour	10 Headrail mount / Fixing		11 Qty
									Forward mount	Reversed mount	
		Recess Blind			Ball Chain Pull Cord	Left Right	Free Hanging Guide Wire	White Black	Top Fix Face Fix	Top fix	
		Recess Blind			Ball Chain Pull Cord	Left Right	Free Hanging Guide Wire	White Black	Top Fix Face Fix	Top fix	
		Recess Blind			Ball Chain Pull Cord	Left Right	Free Hanging Guide Wire	White Black	Top Fix Face Fix	Top fix	

Minimums & Maximums

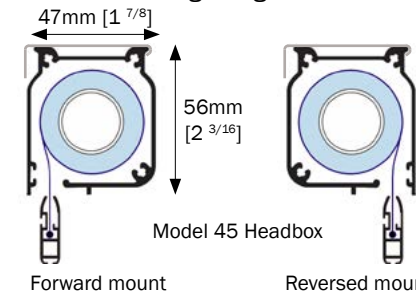
	Ball Chain	
	X	Y
Min	350mm [13 3/4"]	250mm [9 3/16"]
Max	1200mm [59 1/16"]	1200mm [47 1/4"]

	Pull Cord	
	X	Y
Min	600mm [23 5/8"]	250mm [9 3/16"]
Max	1200mm [47 1/4"]	1200mm [51 3/16"]



Large Hembar

Headrail dimensions Including fixing bracket



Guide wires with Chrome dome



Large hembar with brush strip

If a recess dimension is given the blind width is reduced by 4mm to allow for fitting, please see technical sheet for fabric width offset.

Plastic mouldings are available in black and white and will be colour matched to hardware.

Child Safety

Pull cord option can only be used in areas where children under the age of 42 months will not have access. A risk assessment should be undertaken.

Chain drive blinds will require a chain tensioner device fitted 1.5m from floor to meet child safety requirements. Alternatively for commercial use the above statement for pull cord operation can apply

SOLARSHIELD is available in the following configurations:

- Pull cord or chain drive control
- Model 45 headrail only
- Large hembar only