

# ROMANBLIND Order Form and Product Guide

**PLEASE READ PRODUCT GUIDE NOTE IN FULL BEFORE COMPLETING ORDER FORM  
1 BLIND PER ORDER FORM, STATE QUANTITY IN BOX PROVIDED BELOW**

Customer \_\_\_\_\_  
 Address \_\_\_\_\_  
 \_\_\_\_\_  
 \_\_\_\_\_

Tel \_\_\_\_\_  
 Fax \_\_\_\_\_  
 Mobile \_\_\_\_\_  
 Email \_\_\_\_\_

Order \_\_\_\_\_  
 Quote \_\_\_\_\_  
 Project Name \_\_\_\_\_  
 Project Location \_\_\_\_\_  
 Date \_\_\_\_\_

Disclaimer: **Is the blind on this order being installed where children under 42 months old are likely to be allowed ?** Yes  No  Signed \_\_\_\_\_ Print \_\_\_\_\_

Manual **Please fill in sections 1, 2 & 4** Powered **Please fill in sections 1, 3 & 4** **Please fill in section 5 if custom fabric or lining is required**

## SECTION 1 Dims, Blind and Fabric options

Window ID	Width X (mm)	Pleat Type	Face Fabric	Light Transmission	Fire Retardant	Blind Finishing Options	Interlined *	Lining	Contrast Fabric	Restraint	Blind Headrail Fixing
Window Location	Drop Y (mm)	1. Standard Soft 2. Standard Hard 3. Gradient Soft 4. Gradient Hard 5. Hobble	OA code	Sheer Non blackout* Blackout* Blackout-Plus	None BS IMO	<b>Stitching</b> Machined* Hand stitched	Yes No * Only for Non black, Blackout & Blackout-Plus blinds	Default From OA Collection Fabric Code	OA code None Centre* Sides* Top* Bottom Top & Bottom Top, Bottom & Sides Bottom & Sides Top & Sides* Centre & Sides*	<b>Free Hanging</b> <b>Guide wire</b> Chrome Brass Low Profile	Top Face
			Custom* * Please fill in Section 5a	* Hobble Pleat only available in the above	<b>Edge Finish</b> Edge to edge Wrap-around * Hobble Pleat or blinds with "sheer" light transmission can only be machine stitched or have "Edge to Edge" edge finish	Custom* * Please fill in Section 5b	Custom* * Please fill in Section 5c	Side Track Surface Recess	Side track Colour White Black Other		
			Recess Blind	Installation height ♦	Size * Hobble Pleat only available in the above	RAL Ref	_____				
			_____	_____	_____	_____					

♦ Installation height required for cord operated blinds. EN13120 Standards demand the distance from the floor to the bottom of the pull cord(s) shall be at least 1500mm [59 1/16"]

## SECTION 2

### Manual Control Options

Control	Acorn
<b>Control Position</b> Left Right	<b>Type</b> Round Square
<b>Corded*</b> with cord lock Yes No * Specify Cleat Type Black Brass Chrome OA Chromed - White insert Black insert	Colour
<b>Ball chain**</b>	<b>No Acorn with Ball chain or continuous cord</b>
<b>Continuous cord**</b>	
<b>Colour</b> Black White Grey Fawn	
** Specify Chain Tidy colour White Black Brown	

## SECTION 3

### Powered Options Headrail Options

Motor Code	Headrail Colour
Default or Code From table	Default Or Specify Standard Colour _____ Or Custom Colour (if applicable)
<b>Connector reqd (QS Motor only)</b> Yes No	Description _____ RAL Ref No (If known) _____
<b>Wire Exit Point</b> Left Right	<b>See table for standard and custom colour options</b>

## SECTION 5

### Custom and contrast fabric raw material details

Fabric	Width	Pattern Repeat	Code No./Name	Supplier Name	Cost per l/metre	Supplied By
a. Face						Customer Oceanair
b. Lining						Customer Oceanair
c. Contrast						Customer Oceanair

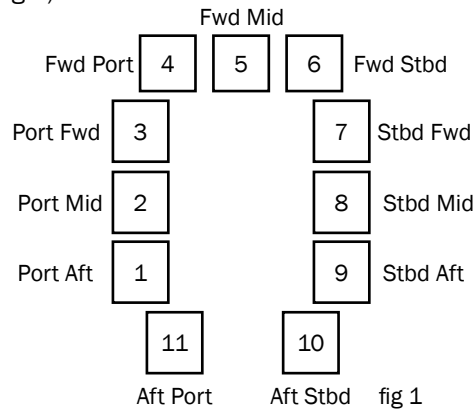
All samples provided where necessary

Quantity \_\_\_\_\_  
 Oceanair use only Customised



## Window ID and Location

To avoid confusion, Oceanair works in an order of location and reference number for orders. Therefore, for residential applications itemise blinds starting from the left of the room giving an ID and a description of the location, however for marine vessels please use the following to describe the location (fig 1).



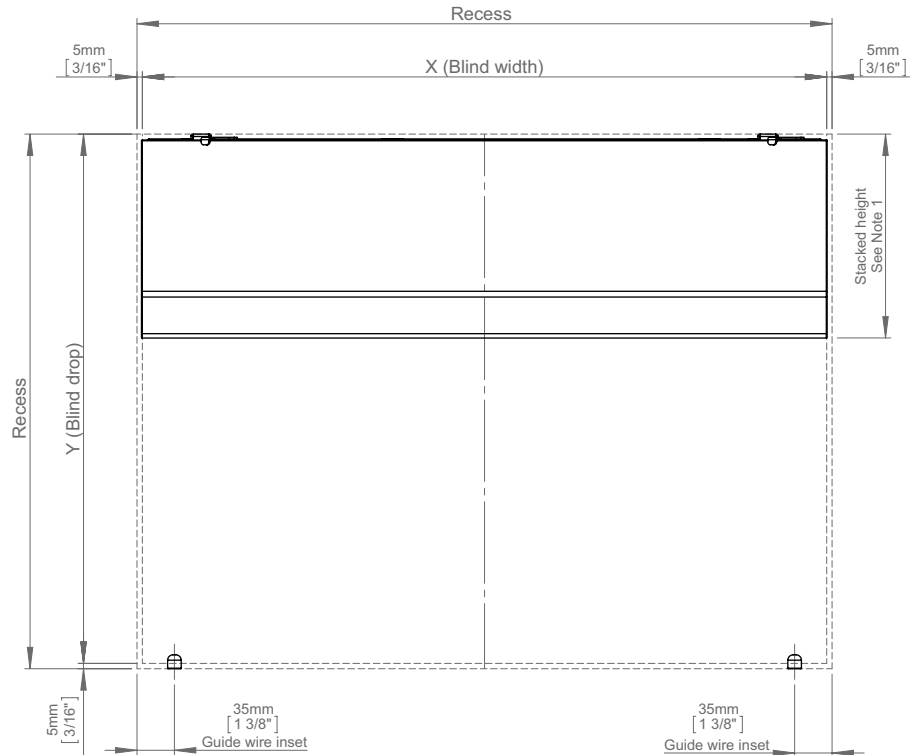
A photograph of the window or recess submitted with order can help to ensure correct design and operation of the blind.

## Maximum and Minimum blind dimensions

Control / Motor code	Min X		Max X	Min Y	Max Y	
	Free Hanging	Guide Wire				
All Manual	270		3000mm [118 1/8"]	200 [7 7/8"]	3000mm [118 1/8"]	
LD64 & LS64	646mm [25 7/16"]	820mm [32 5/16"]				
S30D & S30R	525mm [20 11/16"]	575mm [22 5/8"]				
S40W	615mm [24 3/16"]	665mm [26 3/16"]				
S40W1	617mm [24 5/16"]	667mm [26 1/4"]				
S40R	656mm [25 3/16"]	706mm [27 13/16"]				
S40R1	655mm [25 3/16"]	705mm [27 3/4"]				
24	800mm [31 2/4"]	940mm [26"]				
24 *	800mm [31 2/4"]	800mm [22 1/16"]				1800mm [70 7/8"]
TL25	500mm [19 11/16"]	570mm [22 7/16"]				2000mm [78 3/4"]

\* Using 24v motor control can provide a minimum width 800mm [22 1/16"] by using alternative cording components, however this restricts the maximum drop to 1800mm [70 7/8"].

## Recess & Blind Clearances



## Size and Tolerances

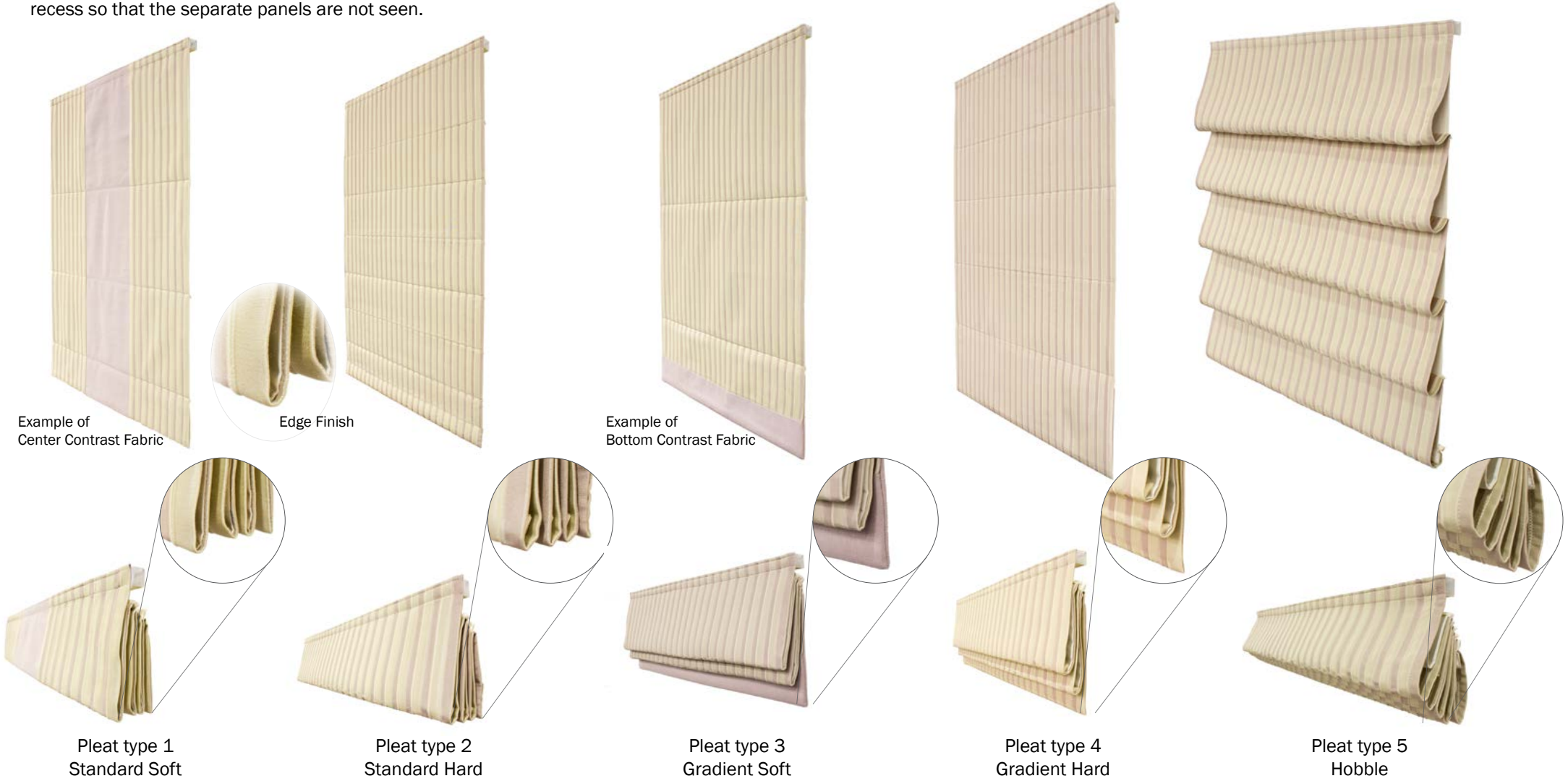
When selecting one of the Blackout options we allow a clearance of 5mm on X (2.5mm each end), for a Non-Blackout blinds we allow clearance of 10mm on X and 5mm on Y.

Size option specified	Non Blackout		Blackout	
	Width (X)	Drop (Y)	Width (X)	Drop (Y)
Recess	-10mm <b>±3mm</b> [3/8" <b>±1/8"</b> ]	-5mm <b>±3mm</b> [-3/16" <b>±1/8"</b> ]	-5mm <b>±3mm</b> [-3/16" <b>±1/8"</b> ]	<b>± 3mm</b> [ <b>±1/8"</b> ]
Blind	<b>± 3mm</b> [ <b>±1/8"</b> ]	<b>± 3mm</b> [ <b>±1/8"</b> ]	<b>± 3mm</b> [ <b>±1/8"</b> ]	

**Bold Italic = Manufacturing tolerance (eg. Recess Non Blackout Width (x) = minus 7mm [1/4"] to minus 13mm [1/2"])**

# Pleat Types

- **Standard pleat** - Panels are of similar depth and are level when the blind is raised. Panels are approximately 150 to 200mm [6" to 8"] deep depending on the overall drop and stacking height required
- **Gradient pleat** - Panels increase in depth from the bottom to the top of the blind. In the stowed position the bottom of the pleats are staggered (normal spacing between the folds is 30mm [1 3/8"])
- **Soft pleat** - Cords are connected to rods to raise the blind. The fabric between the rods form soft pleats when stowed.
- **Hard pleat** - Cords are connected to rods to raise the blind but also have intermediate rods to form hard pleats when stowed, this creates another stitch line in the fabric.
- **Hobble Pleat** - Comprises of two layers of fabric, a flat back lining panel and a front fabric panel which is 90mm longer than the lining, creating permanent pleats when completely deployed. When blind is stowed it creates a soft gradient effect. This option is only available as soft pleat and can be used with any type of lining and headrail. This blind is best suited when fitted in a recess so that the separate panels are not seen.



## Blind Stacking

When measuring for ROMANBLINDS, the stack height (the depth of the blind when fully stowed) needs to be considered. See the table below for guidance. We can increase or decrease stack height on standard and gradient pleat by adding or removing pleats (to a maximum of two). However this will affect the depth of the blind in the recess. Changing the stack height is a customized option, please contact Oceanair for details.

### Metric

Drop (mm)	Stack	Pleats
<b>Standard Pleat</b>		
200-500	138-208	1
501-750	151-201	2
785-1227	169-233	3
1228-1754	199-258	4
1755-2090	227-258	5
2100-2410	234-258	6
2420-3000	238-277	7

Gradient Pleat		
200-529	148-238	1
530-1010	198-294	2
1020-1410	264-320	3
1420-1860	301-350	4
1870-2370	337-383	5
2380-3000	374-422	6

### Imperial

Drop (Imp)	Stack	Pleats
<b>Standard Pleat</b>		
7 <sup>7</sup> / <sub>8</sub> - 19 <sup>11</sup> / <sub>16</sub>	5 <sup>7</sup> / <sub>16</sub> - 8 <sup>3</sup> / <sub>16</sub>	1
19 <sup>3</sup> / <sub>4</sub> - 29 <sup>1</sup> / <sub>2</sub>	5 <sup>7</sup> / <sub>16</sub> - 7 <sup>15</sup> / <sub>16</sub>	2
30 <sup>7</sup> / <sub>8</sub> - 48 <sup>5</sup> / <sub>16</sub>	6 <sup>5</sup> / <sub>8</sub> - 9 <sup>3</sup> / <sub>16</sub>	3
48 <sup>3</sup> / <sub>8</sub> - 69 <sup>1</sup> / <sub>16</sub>	7 <sup>13</sup> / <sub>16</sub> - 10 <sup>3</sup> / <sub>16</sub>	4
69 <sup>1</sup> / <sub>8</sub> - 82 <sup>5</sup> / <sub>16</sub>	8 <sup>15</sup> / <sub>16</sub> - 10 <sup>3</sup> / <sub>16</sub>	5
82 <sup>11</sup> / <sub>16</sub> - 94 <sup>7</sup> / <sub>8</sub>	9 <sup>3</sup> / <sub>16</sub> - 10 <sup>3</sup> / <sub>16</sub>	6
94 <sup>1</sup> / <sub>4</sub> - 118 <sup>1</sup> / <sub>8</sub>	9 <sup>3</sup> / <sub>8</sub> - 10 <sup>7</sup> / <sub>8</sub>	7

Gradient Pleat		
7 <sup>7</sup> / <sub>8</sub> - 20 <sup>13</sup> / <sub>16</sub>	5 <sup>13</sup> / <sub>16</sub> - 9 <sup>3</sup> / <sub>8</sub>	1
20 <sup>7</sup> / <sub>8</sub> - 39 <sup>3</sup> / <sub>4</sub>	7 <sup>13</sup> / <sub>16</sub> - 11 <sup>9</sup> / <sub>16</sub>	2
40 <sup>7</sup> / <sub>8</sub> - 55 <sup>1</sup> / <sub>2</sub>	10 <sup>3</sup> / <sub>8</sub> - 12 <sup>5</sup> / <sub>8</sub>	3
55 <sup>7</sup> / <sub>8</sub> - 73 <sup>1</sup> / <sub>4</sub>	11 <sup>7</sup> / <sub>8</sub> - 13 <sup>3</sup> / <sub>4</sub>	4
73 <sup>5</sup> / <sub>8</sub> - 93 <sup>5</sup> / <sub>16</sub>	13 <sup>1</sup> / <sub>4</sub> - 15 <sup>1</sup> / <sub>16</sub>	5
93 <sup>11</sup> / <sub>16</sub> - 118 <sup>1</sup> / <sub>8</sub>	14 <sup>3</sup> / <sub>4</sub> - 16 <sup>5</sup> / <sub>8</sub>	6

Drop (mm)	Stack	Pleats
<b>Hobble Pleat</b>		
200-474	151-243	2
475-634	169-174	3
635-794	172-176	4
795-948	176-180	5
950-1109	180-259	6
1110-1269	184-263	7
1270-1429	188-267	8
1430-1589	192-271	9
1590-1749	196-275	10
1750-1909	200-279	11
1910-2069	204-283	12
2070-2229	208-287	13
2230-2389	212-291	14
2390-2549	216-295	15
2550-2709	220-299	16
2710-2869	224-303	17
2870-3000	228-293	18

Drop (Imp)	Stack	Pleats
<b>Hobble Pleat</b>		
7 <sup>7</sup> / <sub>8</sub> - 18 <sup>11</sup> / <sub>16</sub>	5 <sup>15</sup> / <sub>16</sub> - 9 <sup>9</sup> / <sub>16</sub>	2
18 <sup>11</sup> / <sub>16</sub> - 24 <sup>15</sup> / <sub>16</sub>	6 <sup>5</sup> / <sub>8</sub> - 6 <sup>7</sup> / <sub>8</sub>	3
25 - 31 <sup>1</sup> / <sub>4</sub>	6 <sup>3</sup> / <sub>4</sub> - 6 <sup>15</sup> / <sub>16</sub>	4
31 <sup>5</sup> / <sub>16</sub> - 37 <sup>5</sup> / <sub>16</sub>	6 <sup>15</sup> / <sub>16</sub> - 7 <sup>1</sup> / <sub>16</sub>	5
37 <sup>3</sup> / <sub>8</sub> - 43 <sup>11</sup> / <sub>16</sub>	7 <sup>1</sup> / <sub>16</sub> - 10 <sup>3</sup> / <sub>16</sub>	6
43 <sup>11</sup> / <sub>16</sub> - 49 <sup>15</sup> / <sub>16</sub>	7 <sup>1</sup> / <sub>4</sub> - 10 <sup>3</sup> / <sub>8</sub>	7
50 - 56 <sup>1</sup> / <sub>4</sub>	7 <sup>3</sup> / <sub>8</sub> - 10 <sup>1</sup> / <sub>2</sub>	8
56 <sup>5</sup> / <sub>16</sub> - 62 <sup>9</sup> / <sub>16</sub>	7 <sup>9</sup> / <sub>16</sub> - 10 <sup>11</sup> / <sub>16</sub>	9
62 <sup>5</sup> / <sub>8</sub> - 68 <sup>7</sup> / <sub>8</sub>	7 <sup>11</sup> / <sub>16</sub> - 10 <sup>13</sup> / <sub>16</sub>	10
68 <sup>7</sup> / <sub>8</sub> - 75 <sup>3</sup> / <sub>16</sub>	7 <sup>7</sup> / <sub>8</sub> - 11	11
75 <sup>3</sup> / <sub>16</sub> - 81 <sup>7</sup> / <sub>16</sub>	8 <sup>1</sup> / <sub>16</sub> - 11 <sup>1</sup> / <sub>8</sub>	12
81 <sup>1</sup> / <sub>2</sub> - 87 <sup>3</sup> / <sub>4</sub>	8 <sup>3</sup> / <sub>16</sub> - 10 <sup>15</sup> / <sub>16</sub>	13
87 <sup>13</sup> / <sub>16</sub> - 94 <sup>1</sup> / <sub>16</sub>	8 <sup>3</sup> / <sub>8</sub> - 11 <sup>7</sup> / <sub>16</sub>	14
94 <sup>1</sup> / <sub>8</sub> - 100 <sup>3</sup> / <sub>8</sub>	8 <sup>1</sup> / <sub>2</sub> - 11 <sup>5</sup> / <sub>8</sub>	15
100 <sup>3</sup> / <sub>8</sub> - 106 <sup>5</sup> / <sub>8</sub>	8 <sup>11</sup> / <sub>16</sub> - 11 <sup>3</sup> / <sub>4</sub>	16
106 <sup>11</sup> / <sub>16</sub> - 112 <sup>15</sup> / <sub>16</sub>	8 <sup>13</sup> / <sub>16</sub> - 11 <sup>15</sup> / <sub>16</sub>	17
113 - 118 <sup>1</sup> / <sub>8</sub>	9 - 11 <sup>9</sup> / <sub>16</sub>	18

## Face & Contrast Fabric

Please refer to the online fabric collection for available fabrics or fill in section form on order form to specify a custom fabric option or you can specify a fabric of your choice on the order form. Note: a sample for suitability will be required

Fabric is attached to the headrail via a Velcro strip enabling easy removal for cleaning. Fabrics in the Oceanair Fabric Collection are dry cleaned only.

## Light Transmission

- **Sheer.....** Unlined, using sheer fabric will create a privacy blind with minimal light reduction, transparent rods and tape are used to help create this effect.
- **Non Blackout.....** Lined, using translucent materials with some light reduction.
- **Blackout .....** Lined, using blackout lining, with limited transmitting holes.
- **Blackout-Plus .....** Lined, using blackout lining plus tape to cover stitching process, creating near blackout.

Excluding sheer blinds anodized aluminium rod are used.

## Fire Retardant Fabric Treatment

A selection of fabrics in the Oceanair fabric collection are certified to British standards however Oceanair will confirm the selected fabric can be treated to pass British Standard (BS) or International Maritime Organisation (IMO) Fire Retarding standards. Batch testing is required for IMO Certification, a 1 metre<sup>2</sup> 39<sup>2</sup>" sample of fabric is required for this and additional certification costs will apply.

## Blind Finish Options

### Stitching

Due to the manufacturing process of machine stitching, delicate fabrics are not suitable for this process. If "Machined" is selected, when blind is down, stitches on Velcro and rods will be visible. If "Hand Stitched" is selected, visible stitches are reduced. Oceanair will advise if hand stitching is necessary. All fabrics in the Oceanair fabric collection are suitable for machine stitching.

### Edge Finish

If blind is fitted outside the recess and side edges are visible, we are able to wrap the face fabric round the edge to avoid seeing the lining.

## Interlining

Material placed between face fabric and lining to give body to the blind, recommended for all silk fabrics but can also be used to create a more luxurious effect.

## Lining

For "Non Blackout" and "Blackout" blinds the default lining colour is Ivory unless the blind fabric is white where white lining will be used, However for "blackout Plus" blinds, ivory is only available. If the default is not suitable all fabrics in the Oceanair Fabric Collection can be used as a lining material or you can specify a fabric of your choice on the order form. Note: a sample for suitability will be required.

## Contrast Fabric

To add to the design, a contrast fabric from either the Oceanair Fabric Collection or a fabric of your choice can be added to the main fabric in the following configurations:

Centre panel	Bottom panel	Bottom & Side panels
Side panels	Top & Bottom panels	Top & Side panels
Top panel	Top, Bottom & Side panels	Centre & Side panels

Minimum panel width is 20mm. If custom fabric is required, a sample for suitability will be required

## Restraints

### Free hanging

Blind hangs freely with no restraint, to offer restraint and prevent swinging, guide wires or side tracks can be used.

### Guide wires

- All guide wires are stainless steel with a plastic coating.
- Set 30mm [1<sup>3/16"</sup>] in from the edge and travel down behind the blind see below for hold down options:



### Side tracks

The standard range can be painted, surface or recessed mounted and curved slightly if needed (please contact Oceanair for further details).

With surface fix, if there are no mouldings or fascia, the side track will be visible and with recess fixed, the gliders will be slightly visible.

Our standard colours are white, black and beige. If a custom colour is required, please quote the RAL reference code in box provided.

Other side track are available upon request.



## Blind Headrail Fixing Options

ROMANBLINDS are manufactured according to the fixing specified, please state in box provided what type of fixing you are using to fit the blind.

## Manual Control Options

Controls	Headrail Type	Button Hole Option	Cord Pull Option
Pull Cord with cord lock & cleat	VB25	✓	✓
Pull Cord with cleat without cord lock	Profile	✗	✓
Ball Chain with cord tidy	Ball Chain	✗	✗
Continuos cord with cord tidy	VB25	Mandatory	✗

- **With cord lock:** Standard headrail as used in the Oceanair venetian range, the cord passes through a button hole in the blind and hangs in front of the fabric. The standard offset is 50mm [1<sup>15/16"</sup>] from the edge of the fabric but can be greater if required.
- **Without cord lock:** Behind the blind fabric, a minimum of two cords that operate the blind are tied off to a single cord using a cord connector. The cord then travels down and passes through a cord guide so that the cord can be tied off to a cleat which has been positioned in a safe, convenient location.
- **Ball Chain** - The Chrome chain supplied as standard is behind the blind and when operated raises and lowers the blind with the ability to stop it in any position. A cord/chain tidy is used to secure the chain for safety.
- **Continuous Cord**
  - Lifts and drops the blind
  - Can be operated from any angle
  - Mechanism is geared for easy lifting
  - Cord tidy or cleat provides a neat, child safety compliant solution

**All the above Manual Control Options can be located on either side of the blind**

## Child Safety Requirements

If installation height is under 1.5 metres, the above control options cannot be installed.

- Oceanair **powered ROMANBLINDS** are a child safe option.
- All safety devices must be more than 1.5 metres from the floor when the blind is fully extended.



## Cord Breakaway connectors

### Mandatory child safety device

Fitted on the back of panels 200mm or greater in height.



## Cleats

### Mandatory child safety device

Fix to an adjacent wall. Secure cord after every operation of blind,



## Cord connector

### Mandatory child safety device

Available in

- Black Light Grey Beige
- Brown Dark Grey White

Breaks under horizontal force, releasing cords,





## Chain Tidy

### Mandatory child safety device

Colours:

White Black Brown

Used on all blinds with a looped chain/ continuous cord. Fix to an adjacent wall, keeping cords taut



## Acorns

### Wooden Square or Round

Standards Colours:

- |                 |           |
|-----------------|-----------|
| Black           | Cherry    |
| Ebony           | Honey Oak |
| European Walnut | Maple     |
| Dark Mahogany   | Natural   |
| Red Mahogany    | Off White |
| American Walnut | White     |



## Oceanair Plastic

Colours:

- Black White Grey  
Beige Blue



## Metal

Available in:

- Brass Chrome



## Powered Control Options

Motor Code	Description	Supply Voltage	Headrail
24	Motor Blind LW25 B83 24vDC <b>(Default Motor)</b>	24v DC regulated	XL
TL25	Somfy Tilt & Lift 25 RTS	24v DC regulated	XL
S40W	Motor Sonesse 40 9/12 WT 240V AC	240vAC	VB50
S40W1	Motor Sonesse 40 9/14 WT 110V AC	110vAC	VB50
S40R	Motor Sonesse 40 9/12 RTS 240V AC	240vAC	VB50
S40R1	Motor Sonesse 40 9/14 RTS 110V AC	110vAC	VB50
S30D	Sonesse 30 DCT	24v DC regulated	VB50 / VR-RB
S30R	Sonesse 30 RTS	24v DC regulated	VB50 / VR-RB
LS64*	Lutron QS64	240v AC	VB-RB

\* Specialist motor please contact Oceanair before ordering



Lutron™ QS Motor Connector

## Wire exit point

To enable easy routing of motor/charging wire to connect to control system please specify on order form.

## Powered Headrails

**VB-RB headrail** - Newly designed aluminium headrail for bigger blinds and quieter motors. Can be operated by hard wired switches or remotely controlled. (240v AC supply voltage required).

**VB50** - Standard headrails as used in the Oceanair SKYVENETIAN range (24v DC, or 110/240v AC).

**XL headrail** - The same headrail used in Oceanair Pleated blinds but with Velcro pre inserted on front face. Can be operated by hard-wired switches or remotely controlled.

(24v DC only). For dimensions please see Tech sheets

## Headrail Colour Options

Powered Headrails		Manual Headrails	
Headrail Type	Standard Colour	Headrail Type	Standard Colour
VB-RB	White	VB25	Vanilla <b>(Default)</b>
	Black		White
	Custom		Silver
VB50	China White <b>(Default)</b>		Brown
	Beige		Black
	Black	Custom	
	White	Profile	White <b>(Default)</b>
	Brown		Silver
	Custom	Ball Chain	White <b>(Mandatory)</b>
XL	White <b>(Default)</b>		
	Beige		
	Graphite		

