

SKYSCREEN Roller Concealed Order Form and Product Guide

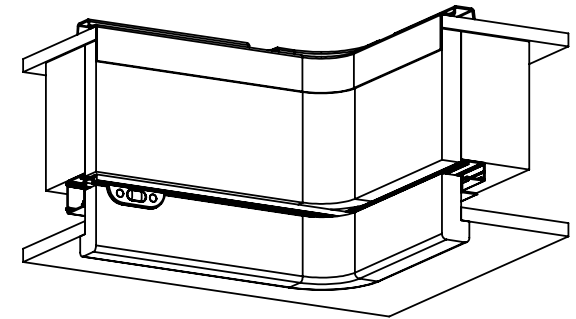
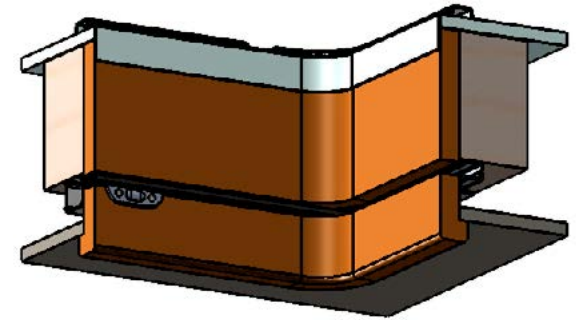
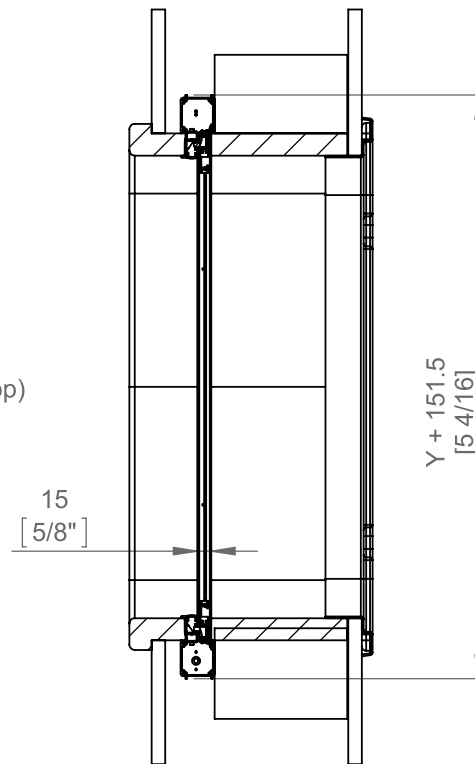
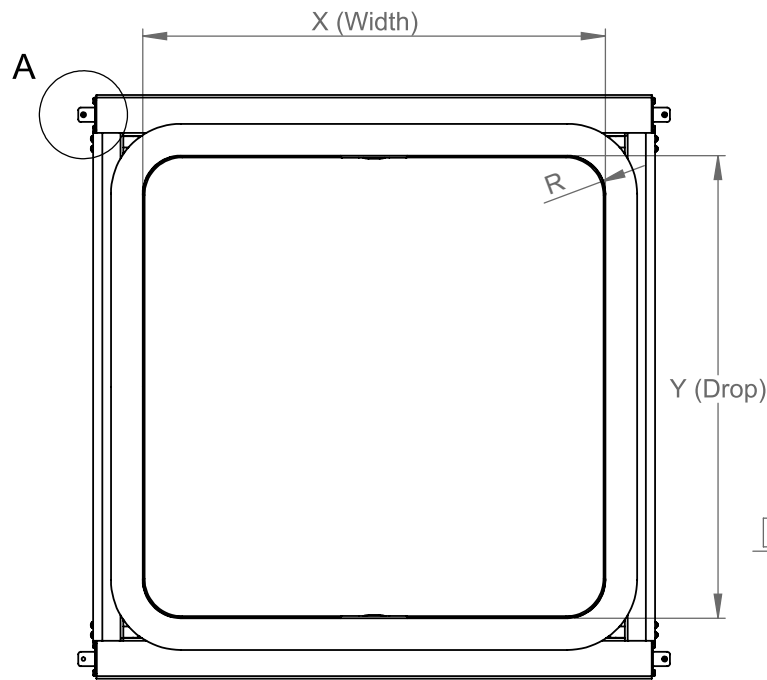
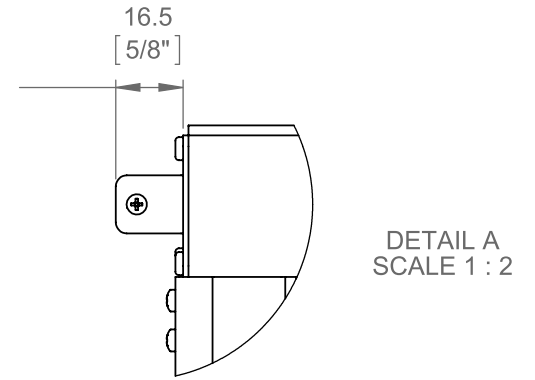
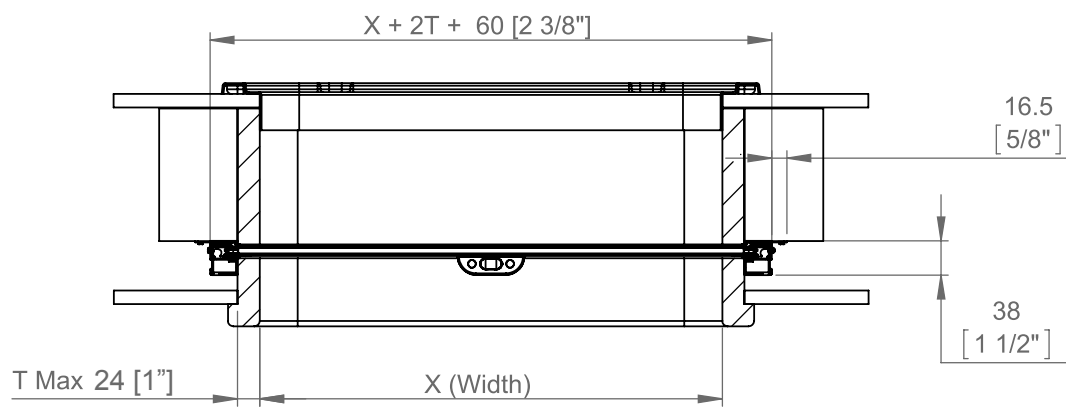
Customer _____	Tel _____	Order _____	Quote _____
Address _____	Fax _____	Project Name _____	
_____	Mobile _____	Project Location _____	
_____	Email _____	Date _____	

Item	Window ID	Width (X) ¹	Drop (Y) ¹	Button Housing Colour	Format / Fabric Type	Blind fabric code	Oceanair Wood or Alloy Trims						Customer supplied Trim thickness ⁴	Qty	
							R (Corner Radius)		Lower Trim	H (Upper trim height) ²	Wood	Lower wood trim fixing kit ³			Aluminium
1				White Chrome Dark grey	Full travel	Blind/Fly		36	42	Yes	None	Mahogany Teak Cherry	Yes	White Beige	
					Meet in the middle	Blind/Blind Fly/Fly		50	63	No	100		No		
								70	100		150 other				
2				White Chrome Dark grey	Full travel	Blind/Fly		36	42	Yes	None	Mahogany Teak Cherry	Yes	White Beige	
					Meet in the middle	Blind/Blind Fly/Fly		50	63	No	100		No		
								70	100		150 other				
3				White Chrome Dark grey	Full travel	Blind/Fly		36	42	Yes	None	Mahogany Teak Cherry	Yes	White Beige	
					Meet in the middle	Blind/Blind Fly/Fly		50	63	No	100		No		
								70	100		150 other				
4				White Chrome Dark grey	Full travel	Blind/Fly		36	42	Yes	None	Mahogany Teak Cherry	Yes	White Beige	
					Meet in the middle	Blind/Blind Fly/Fly		50	63	No	100		No		
								70	100		150 other				

1. If the Y measurement exceeds the X measurement by 30%, contact Oceanair for assessment before order.
2. The maximum height of a wooded trims is 150mm. Deeper trims can be made but there will be a join every 150mm.
3. Lower wood trim fixing kits are available as an optional extra. Aluminium trims have secret fixing brackets supplied.
4. Trim thickness cannot exceed 24mm (1") unless handle is re-fitted with larger screws (not supplied). Overall width dimensions will be affected by trim thickness.

	Width	Drop
Min	200 [77/8"]	200 [77/8"]
Max	800mm [31½"]	800mm [31½"]

SKYSCREEN Roller Concealed Order Form and Product Guide



The standard trim thickness (T) supplied by Oceanair is 11mm,
The maximum thickness can be up to 24mm [1"]