

# CUSTOM ORDER FORM

## SURFACE SKYSCREEN

the secure blackout blind made by

**OCEANair**

Customer	Is this an Order or a Quote?	Date
Customer Ref	Quote	Order
Order No		
Address		
Telephone	Mobile	Fax

Please note that despatch of custom units will be confirmed on receipt of order

Hatch Ref No	Internal		Qty	Frame Colour <sup>3</sup>	Version 1	For Versions 2 and 3 Radius <sup>4,5</sup>			Version 3 Liner	
	Width (X) <sup>1</sup>	Drop (Y) <sup>2</sup>				30	42	50	63mm	119mm
1				<input type="checkbox"/> White <input type="checkbox"/> Beige		<input type="checkbox"/> 30	<input type="checkbox"/> 42	<input type="checkbox"/> 50		
2				<input type="checkbox"/> White <input type="checkbox"/> Beige		<input type="checkbox"/> 30	<input type="checkbox"/> 42	<input type="checkbox"/> 50		
3				<input type="checkbox"/> White <input type="checkbox"/> Beige		<input type="checkbox"/> 30	<input type="checkbox"/> 42	<input type="checkbox"/> 50		
4				<input type="checkbox"/> White <input type="checkbox"/> Beige		<input type="checkbox"/> 30	<input type="checkbox"/> 42	<input type="checkbox"/> 50		

<sup>1</sup> X Max width 700mm (27½")

<sup>2</sup> Y Max drop 700 mm (27½") for full blind and flyscreen

<sup>3</sup> Frame Colour White RAL 9010, Beige RAL 1013

<sup>4</sup> Radius: The standard corner radii are 30mm, 42mm, 50mm, (1 ¼", 1 ⅝", 2")

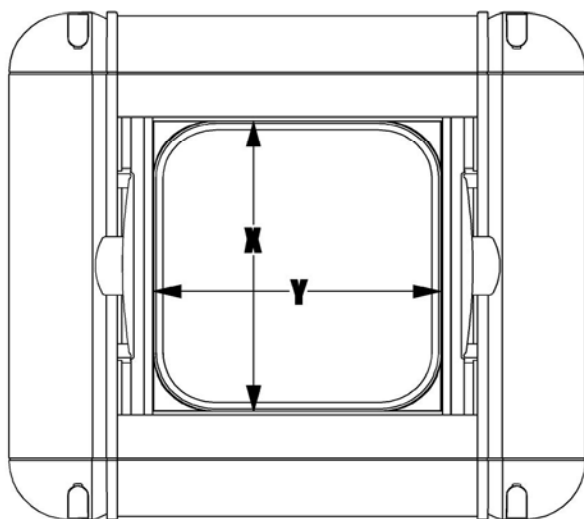
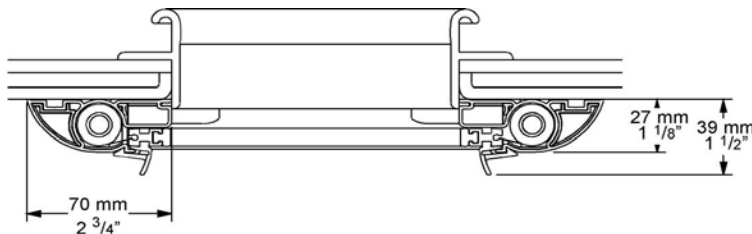
<sup>5</sup> Version 1 – No corner radii, no liner

Version 2 – Radii, no liner

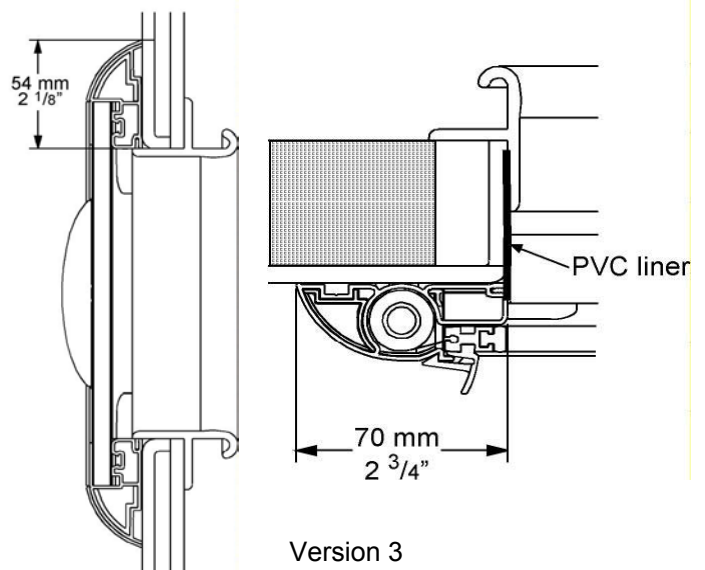
Version 3 – Radii with liner – 63mm or 119mm (2½" or 4¾")

Note: Dimensions converted to nearest 1/8" - if size critical order using metric measurements

Carriage	
Sub Total	
VAT	
Total	
Job No	
Despatch Date	



Version 21



Version 3

Oceanair Marine Limited Chichester PO20 0AY England

t: +44 (0)1243 606909 f: +44 (0)1243 608300 www.oceanair.co.uk e: TechSupport@oceanair.co.uk