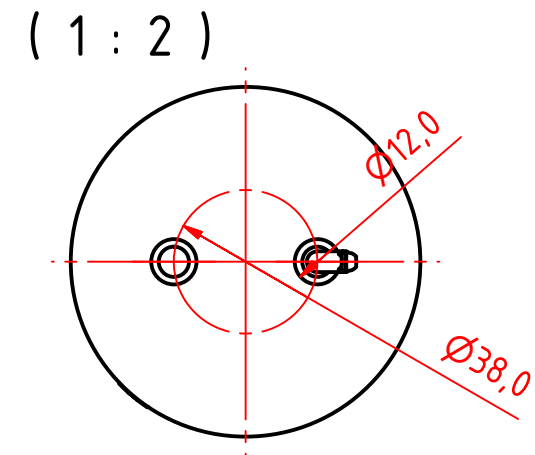
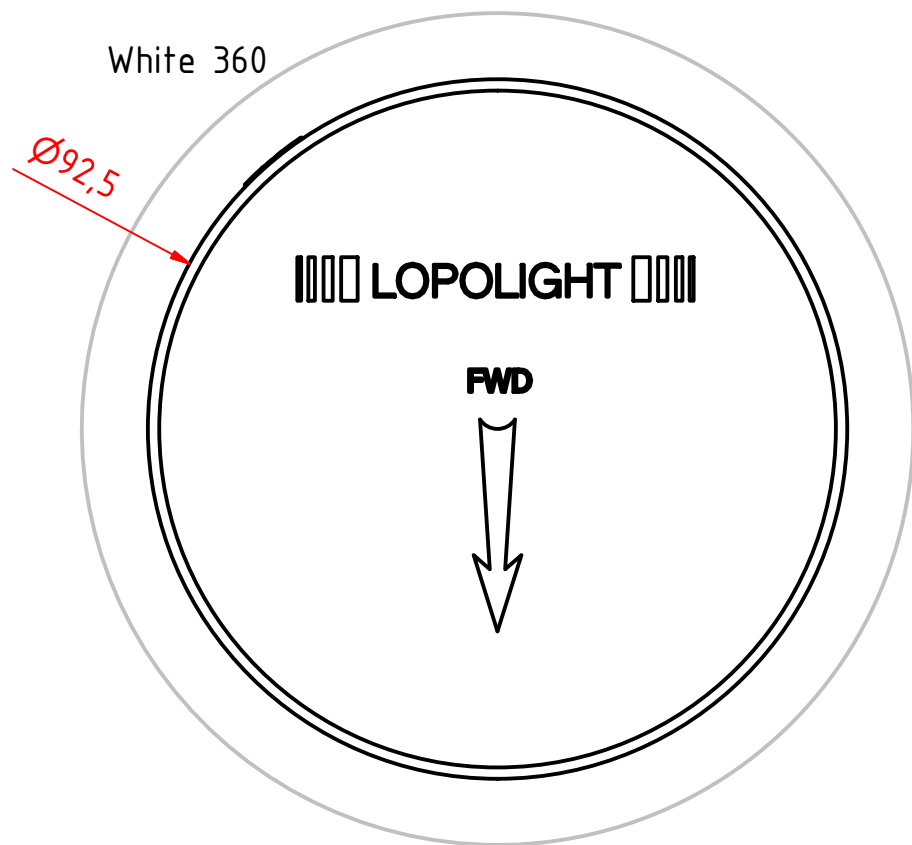


**Note:**

The PE Plastic base is intended for fitting on site and can be either drilled for mounting screws from above or drilled and tapped from below. 6mm machine screws with nuts and washers are recommended for secure mounting.



**200-012, 360° White - Anchor, PE Base.**

DRAWING NO.: <b>200-012 A</b>	REV. NO.: <b>0</b>	SIZE: <b>A3</b>	DRAWN BY: <b>Friisen</b>
SCALE: <b>1:1</b>	TOLERANCES: <b>DS/ISO 2768-f</b>	REVIEWED BY:	CREATION DATE: <b>19-08-2014</b>

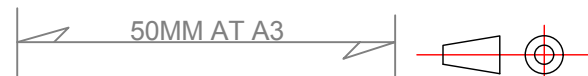
MATERIAL DESCRIPTION:  
**Alu EN 6082, Arylic, PE.** (20µ) Silver anodized according to EN ISO 7599 (50µ) Black anodized according to MIL-A 8625F

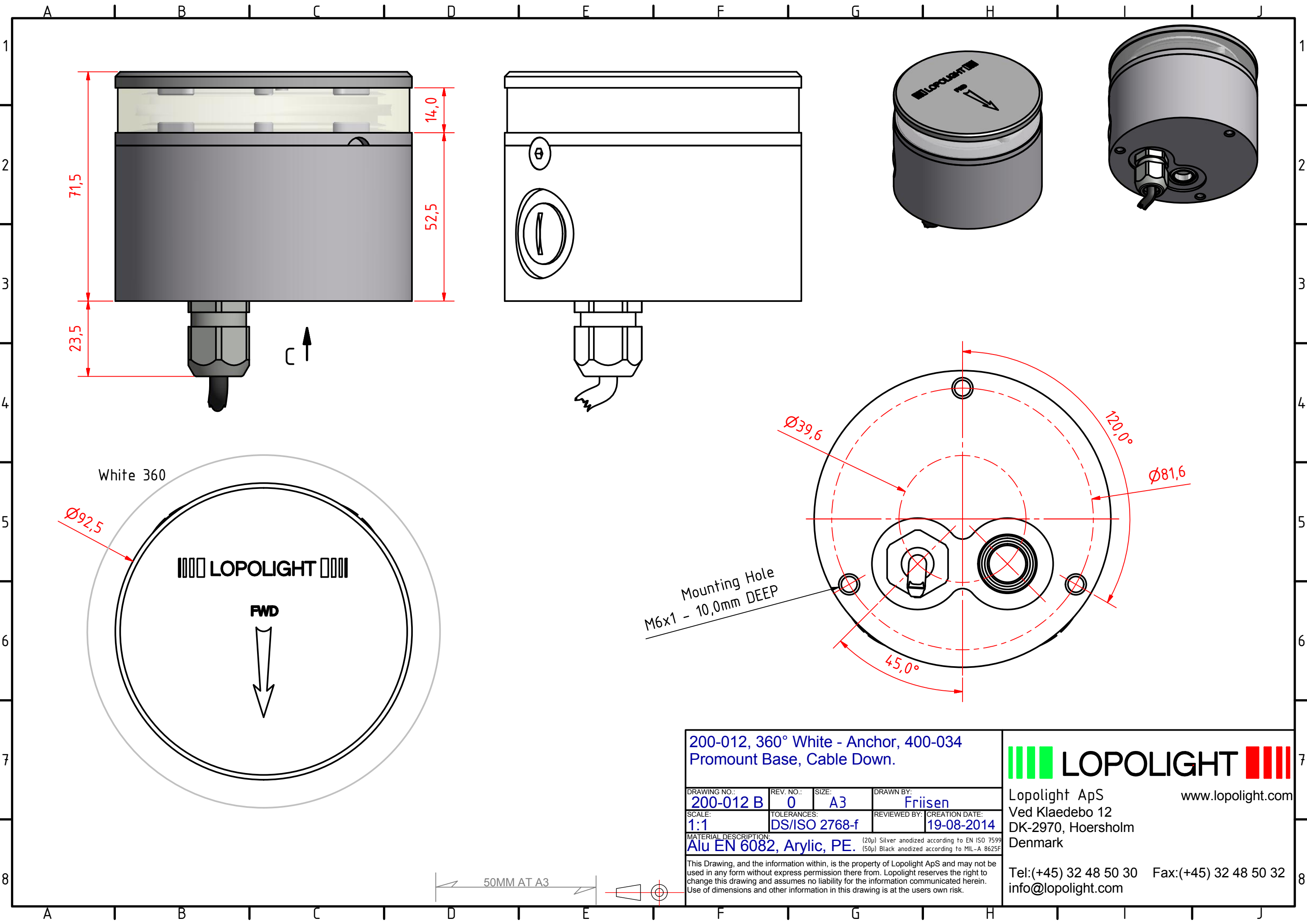
This Drawing, and the information within, is the property of Lopolight ApS and may not be used in any form without express permission there from. Lopolight reserves the right to change this drawing and assumes no liability for the information communicated herein. Use of dimensions and other information in this drawing is at the users own risk.



Lopolight ApS  
Ved Klaedebo 12  
DK-2970, Hoersholm  
Denmark

Tel:(+45) 32 48 50 30 Fax:(+45) 32 48 50 32  
info@lopolight.com





200-012, 360° White - Anchor, 400-034  
Promount Base, Cable Down.

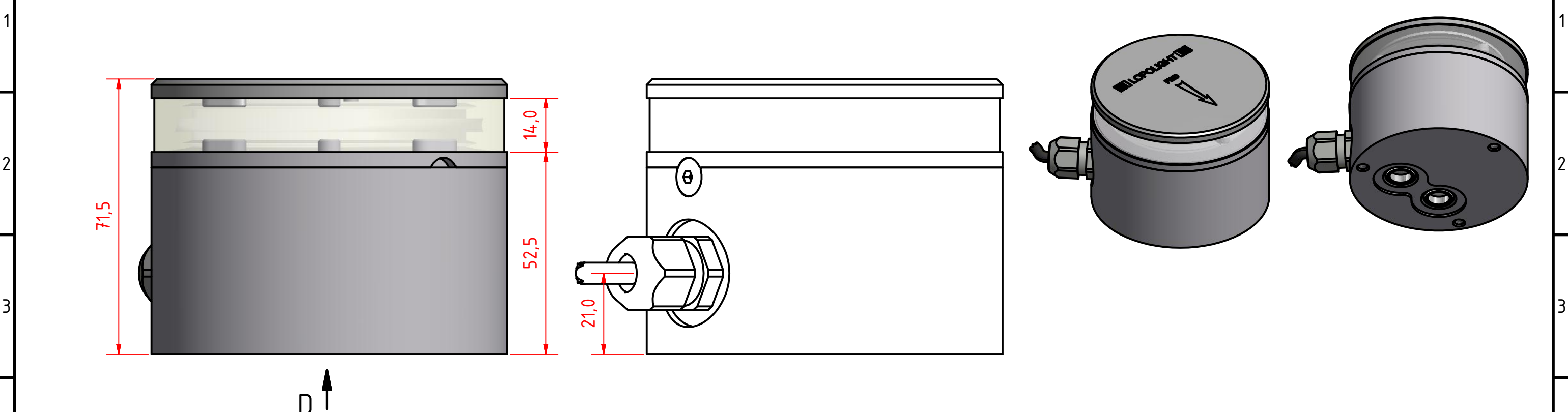
DRAWING NO.: <b>200-012 B</b>	REV. NO.: <b>0</b>	SIZE: <b>A3</b>	DRAWN BY: <b>Friisen</b>
SCALE: <b>1:1</b>	TOLERANCES: <b>DS/ISO 2768-f</b>	REVIEWED BY:	CREATION DATE: <b>19-08-2014</b>

MATERIAL DESCRIPTION:  
**Alu EN 6082, Arylic, PE.** (20µ) Silver anodized according to EN ISO 7599 (50µ) Black anodized according to MIL-A 8625F

This Drawing, and the information within, is the property of Lopolight ApS and may not be used in any form without express permission there from. Lopolight reserves the right to change this drawing and assumes no liability for the information communicated herein. Use of dimensions and other information in this drawing is at the users own risk.

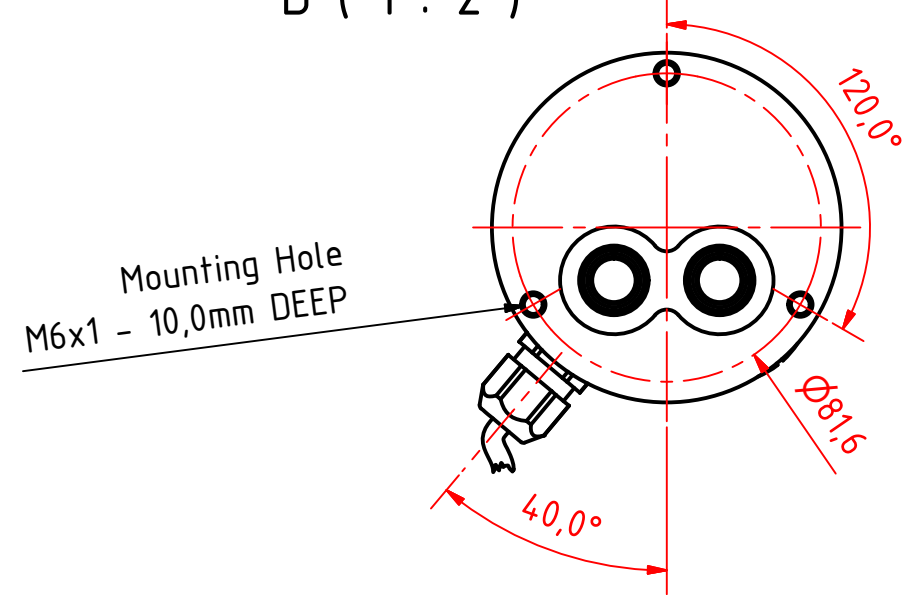
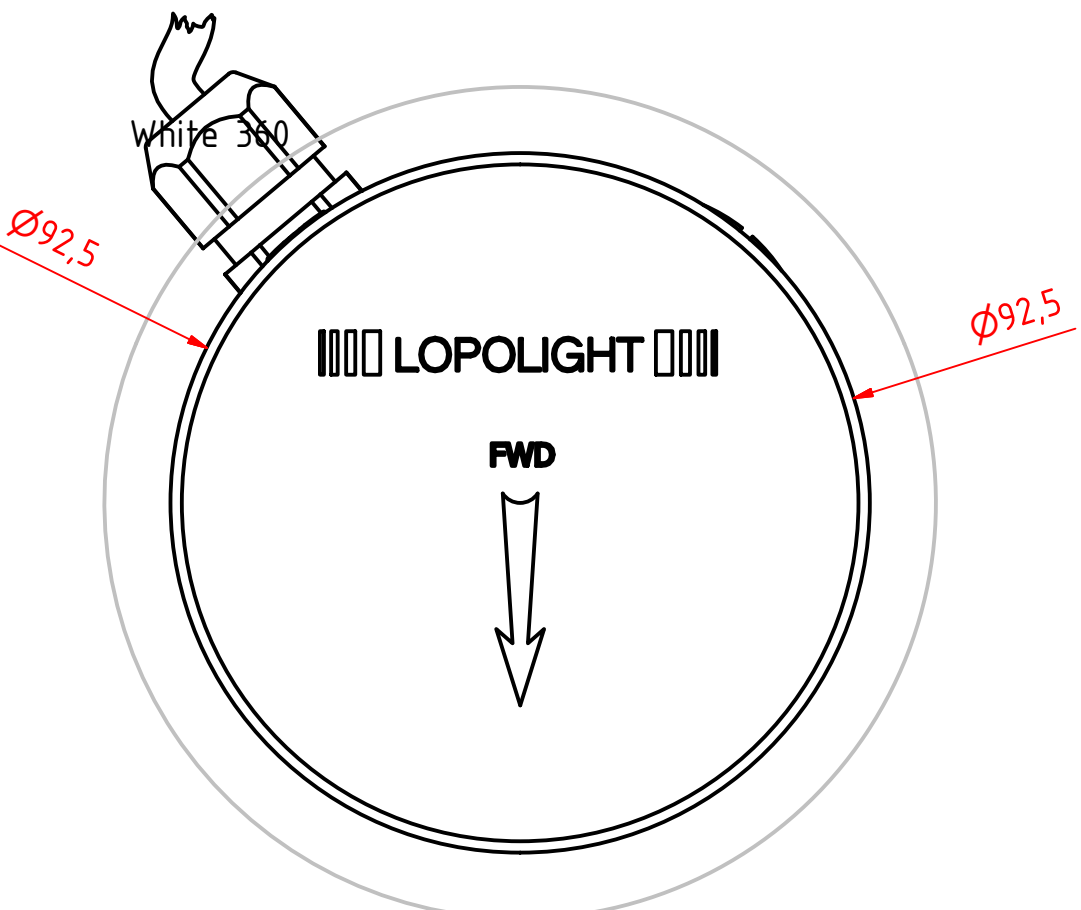
**LOPOLIGHT**  
 Lopolight ApS [www.lopolight.com](http://www.lopolight.com)  
 Ved Klaedebo 12  
 DK-2970, Hoersholm  
 Denmark  
 Tel:(+45) 32 48 50 30 Fax:(+45) 32 48 50 32  
 info@lopolight.com

A B C D E F G H I J



D ↑

D ( 1 : 2 )



200-012, 360° White - Anchor, 400-034  
Promount Base, Cable Side

DRAWING NO.: <b>200-012 C</b>	REV. NO.: <b>0</b>	SIZE: <b>A3</b>	DRAWN BY: <b>Friisen</b>
SCALE: <b>1:1</b>	TOLERANCES: <b>DS/ISO 2768-f</b>	REVIEWED BY:	CREATION DATE: <b>19-08-2014</b>

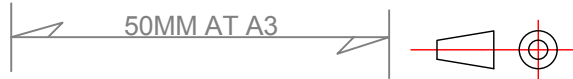
MATERIAL DESCRIPTION:  
**Alu EN 6082, Arylic, PE.** (20µ) Silver anodized according to EN ISO 7599 (50µ) Black anodized according to MIL-A 8625F

This Drawing, and the information within, is the property of Lopelight ApS and may not be used in any form without express permission there from. Lopelight reserves the right to change this drawing and assumes no liability for the information communicated herein. Use of dimensions and other information in this drawing is at the users own risk.



Lopolight ApS  
Ved Klaedebo 12  
DK-2970, Hoersholm  
Denmark

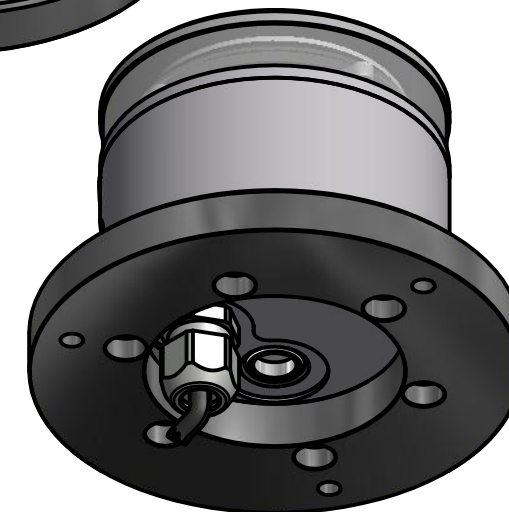
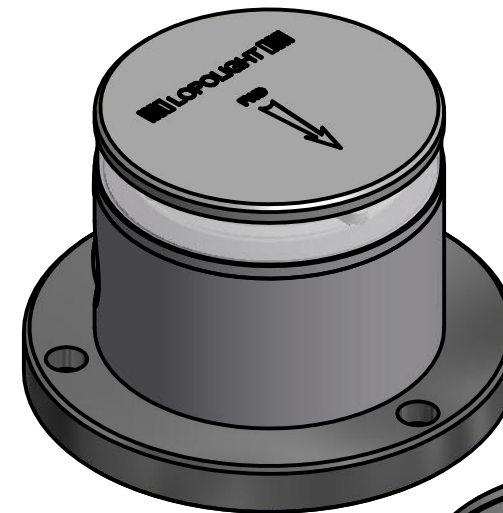
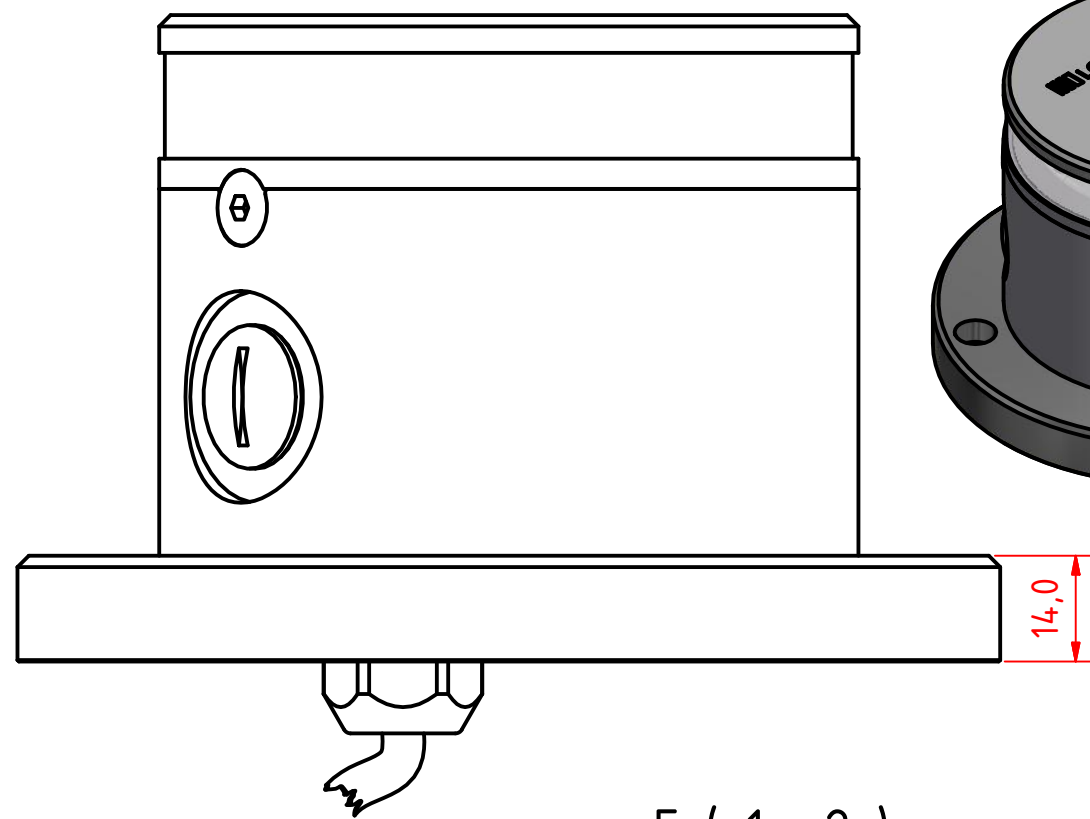
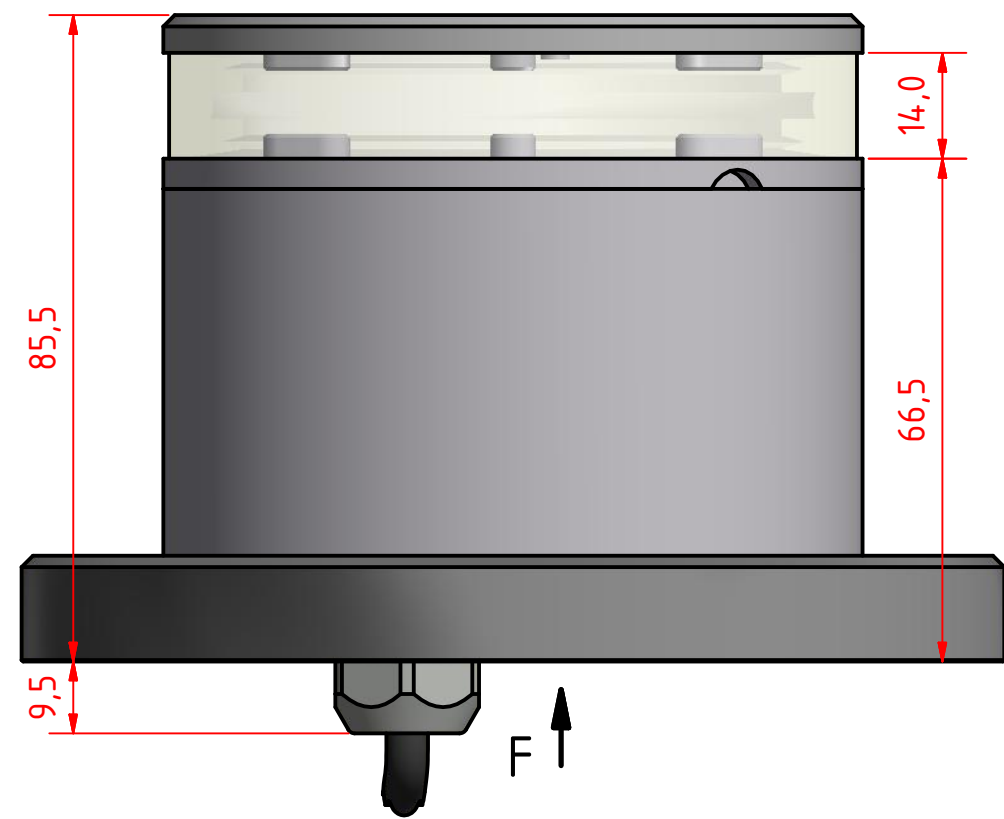
Tel:(+45) 32 48 50 30 Fax:(+45) 32 48 50 32  
info@lopolight.com



A B C D E F G H I J

1  
2  
3  
4  
5  
6  
7  
8

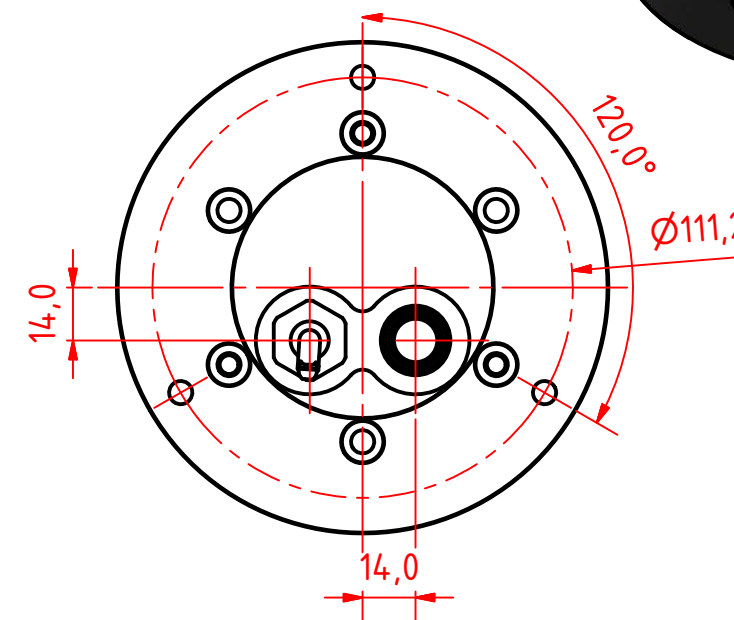
1  
2  
3  
4  
5  
6  
7  
8



F ( 1 : 2 )

White 360

Mounting hole,  $\varnothing 6,1$  THRU  
DIN 974 -  $\varnothing 11,0 \times 7,0$



LOPOLIGHT

FWD



50MM AT A3

200-012, 360° White - Anchor, 400-034  
Promount Base, With 400-404 PE Base  
Plate, Cable Down.

DRAWING NO.: 200-012 D	REV. NO.: 0	SIZE: A3	DRAWN BY: Friisen
SCALE: 1:1	TOLERANCES: DS/ISO 2768-f	REVIEWED BY:	CREATION DATE: 19-08-2014

MATERIAL DESCRIPTION:  
Alu EN 6082, Arylic, PE. (20µ) Silver anodized according to EN ISO 7599  
(50µ) Black anodized according to MIL-A 8625F

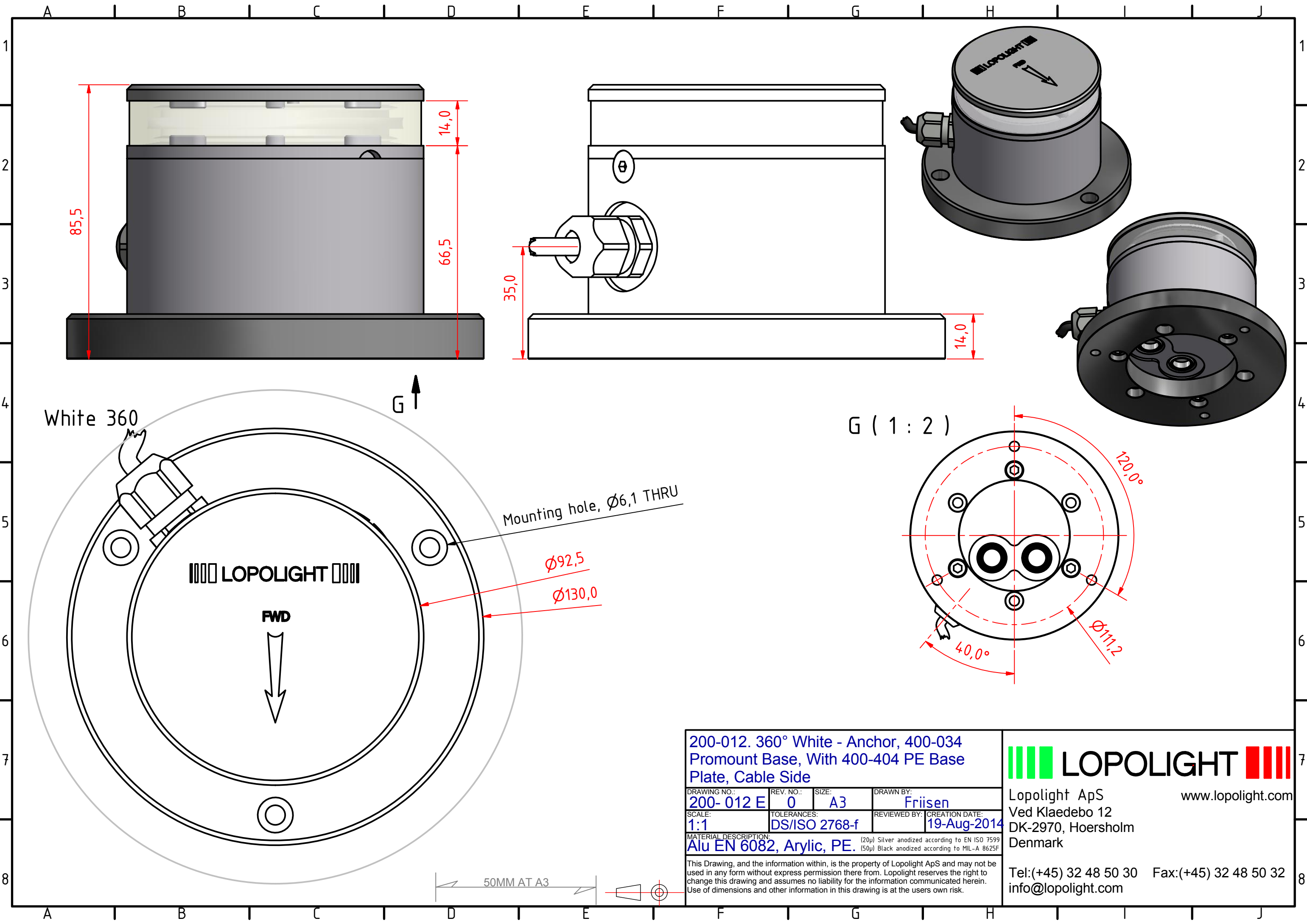
This Drawing, and the information within, is the property of Lopolight ApS and may not be used in any form without express permission there from. Lopolight reserves the right to change this drawing and assumes no liability for the information communicated herein. Use of dimensions and other information in this drawing is at the users own risk.

**LOPOLIGHT**

Lopolight ApS  
Ved Klaedebo 12  
DK-2970, Hoersholm  
Denmark

www.lopolight.com

Tel:(+45) 32 48 50 30 Fax:(+45) 32 48 50 32  
info@lopolight.com



White 360

LOPOLIGHT

FWD

Mounting hole, Ø6,1 THRU

Ø92,5

Ø130,0

G ( 1 : 2 )

120,0°

40,0°

Ø111,2

50MM AT A3

200-012. 360° White - Anchor, 400-034 Promount Base, With 400-404 PE Base Plate, Cable Side			
DRAWING NO.: 200- 012 E	REV. NO.: 0	SIZE: A3	DRAWN BY: Friisen
SCALE: 1:1	TOLERANCES: DS/ISO 2768-f	REVIEWED BY:	CREATION DATE: 19-Aug-2014
MATERIAL DESCRIPTION: Alu EN 6082, Arylic, PE. (20µ) Silver anodized according to EN ISO 7599 (50µ) Black anodized according to MIL-A 8625F			
This Drawing, and the information within, is the property of Lopolight ApS and may not be used in any form without express permission there from. Lopolight reserves the right to change this drawing and assumes no liability for the information communicated herein. Use of dimensions and other information in this drawing is at the users own risk.			

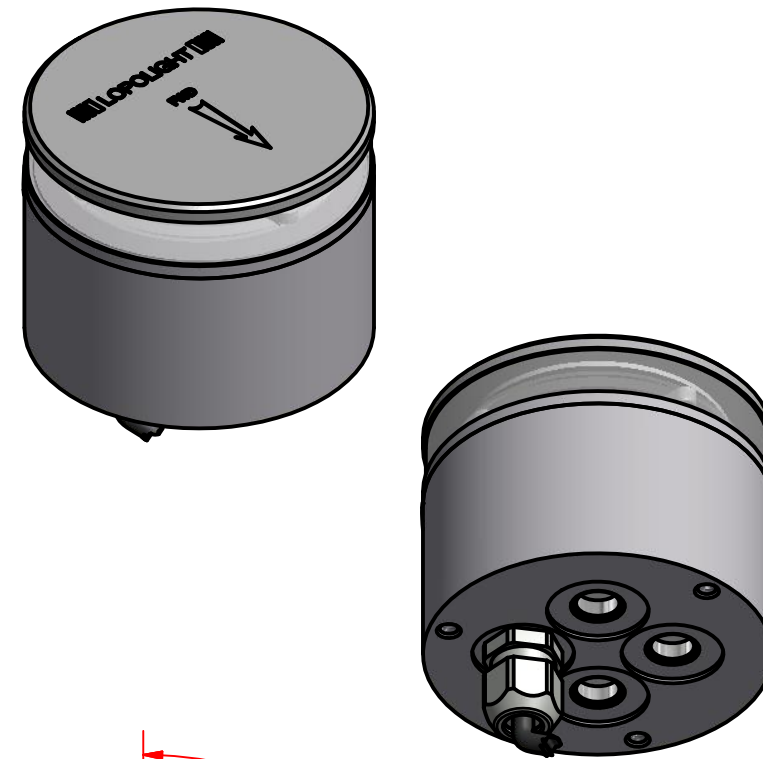
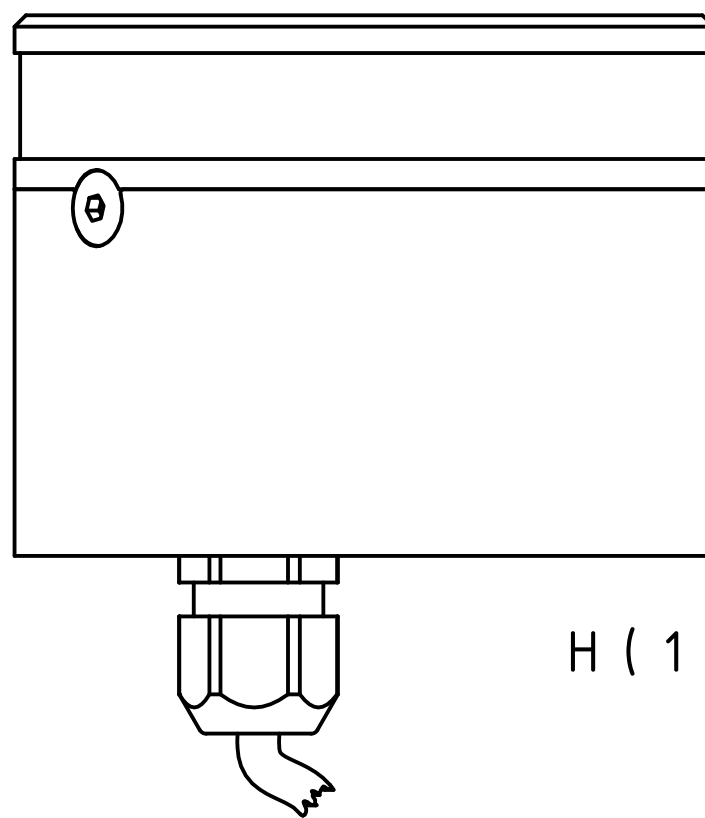
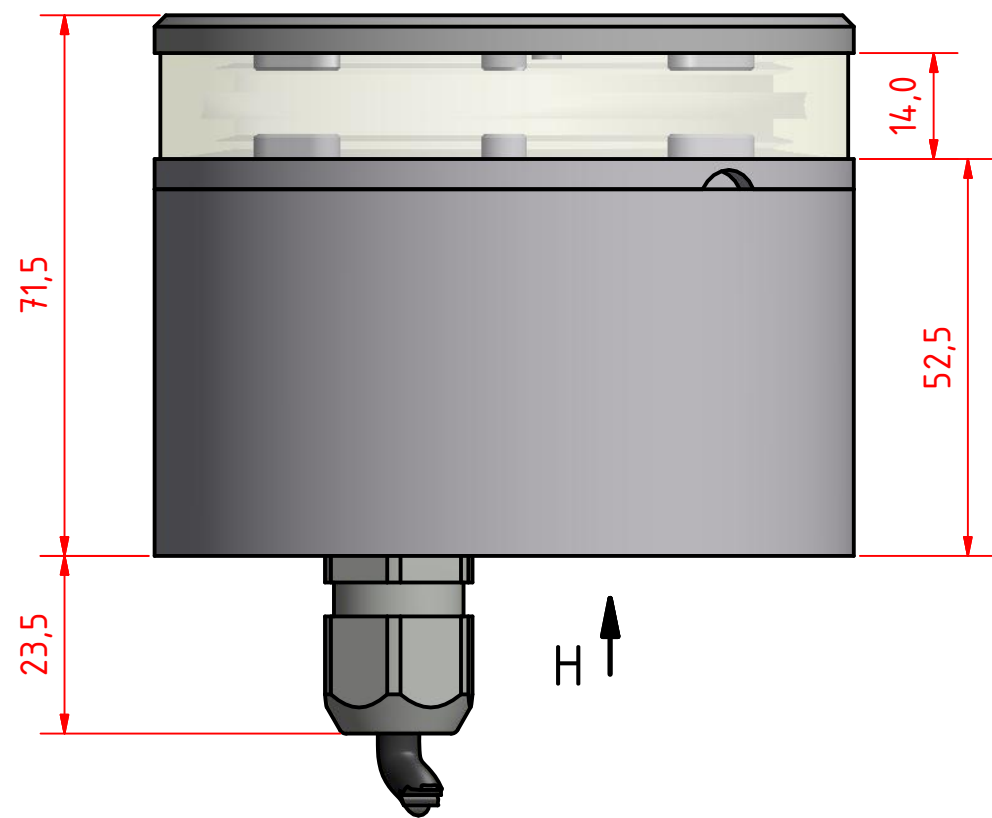
**LOPOLIGHT**

Lopolight ApS  
 Ved Klaedebo 12  
 DK-2970, Hoersholm  
 Denmark

www.lopolight.com

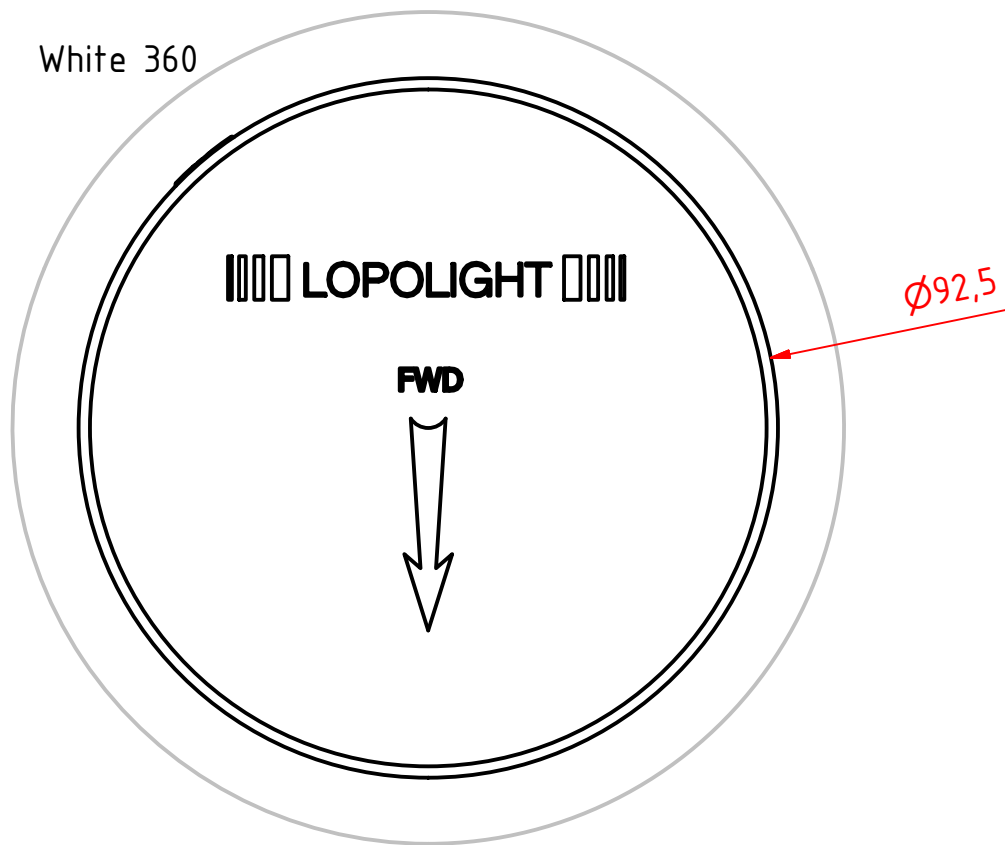
Tel:(+45) 32 48 50 30 Fax:(+45) 32 48 50 32  
 info@lopolight.com



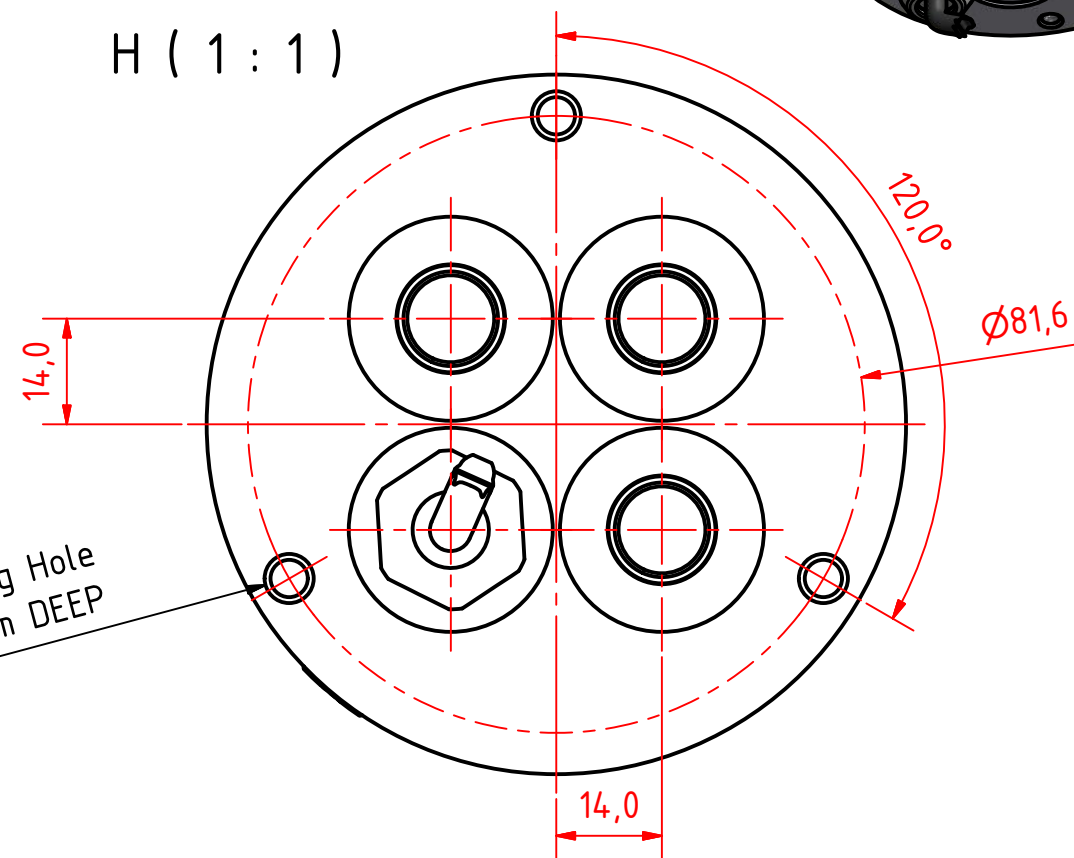


H ( 1 : 1 )

White 360



Mounting Hole  
M6x1 - 8,0mm DEEP



200-012 360° White - Anchor, 400-035  
Promount Base, Cable Down.

DRAWING NO.: 200-012 F	REV. NO.: 0	SIZE: A3	DRAWN BY: Friisen
SCALE: 1:1	TOLERANCES: DS/ISO 2768-f	REVIEWED BY:	CREATION DATE: 19-Aug-2014

MATERIAL DESCRIPTION:  
Alu EN 6082, Arylic.

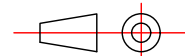
This Drawing, and the information within, is the property of Lopolight ApS and may not be used in any form without express permission there from. Lopolight reserves the right to change this drawing and assumes no liability for the information communicated herein. Use of dimensions and other information in this drawing is at the users own risk.

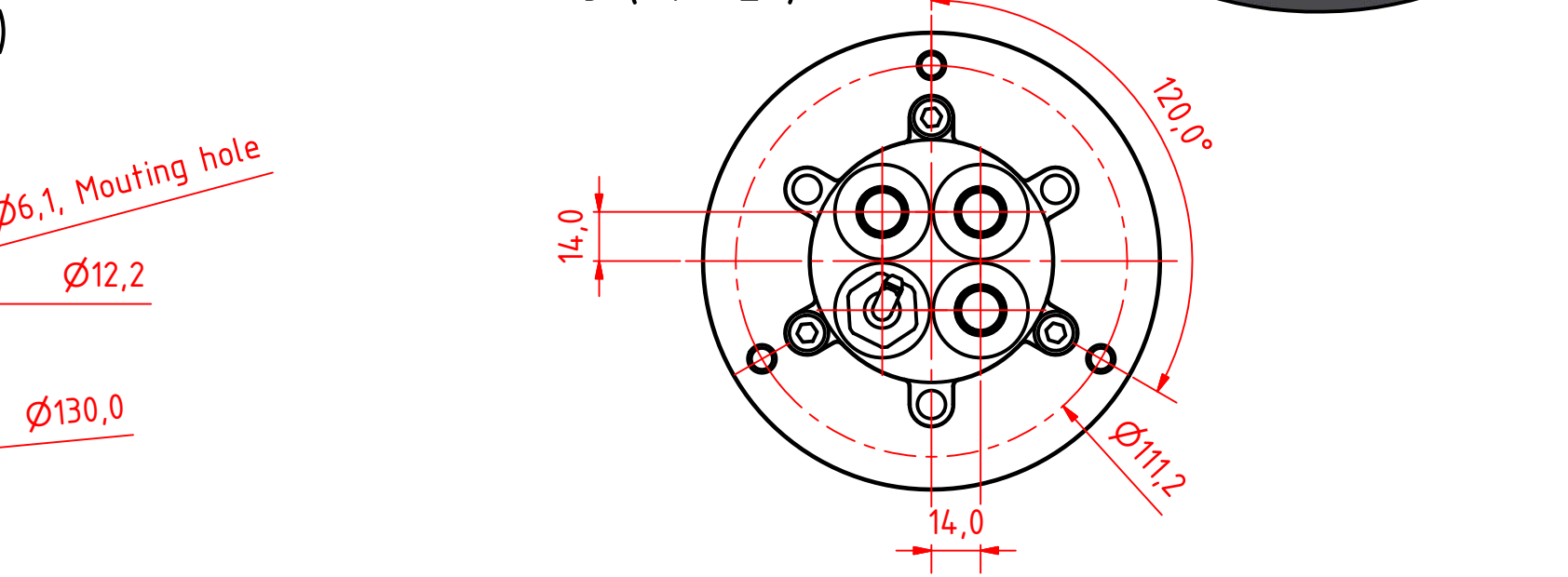
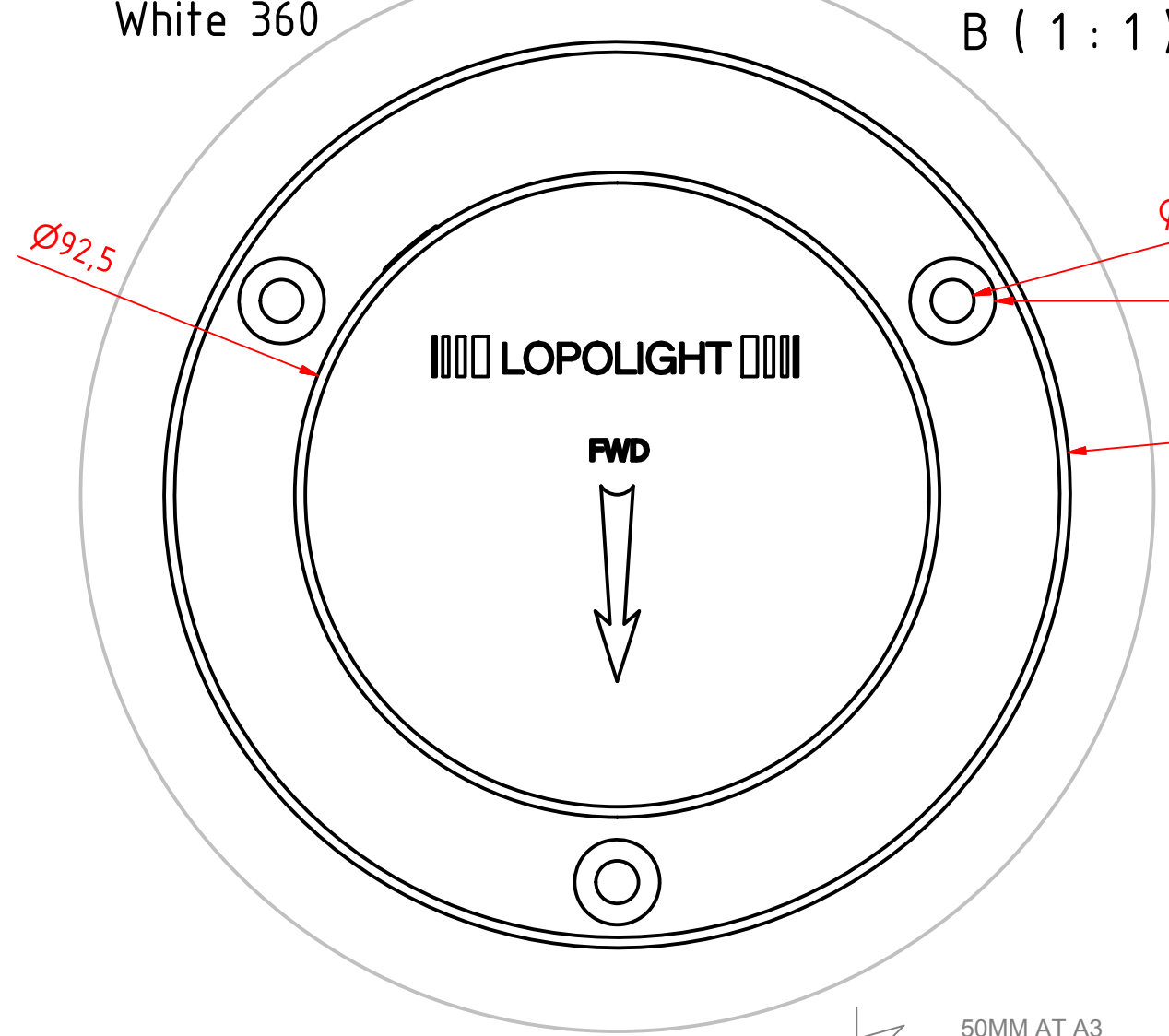
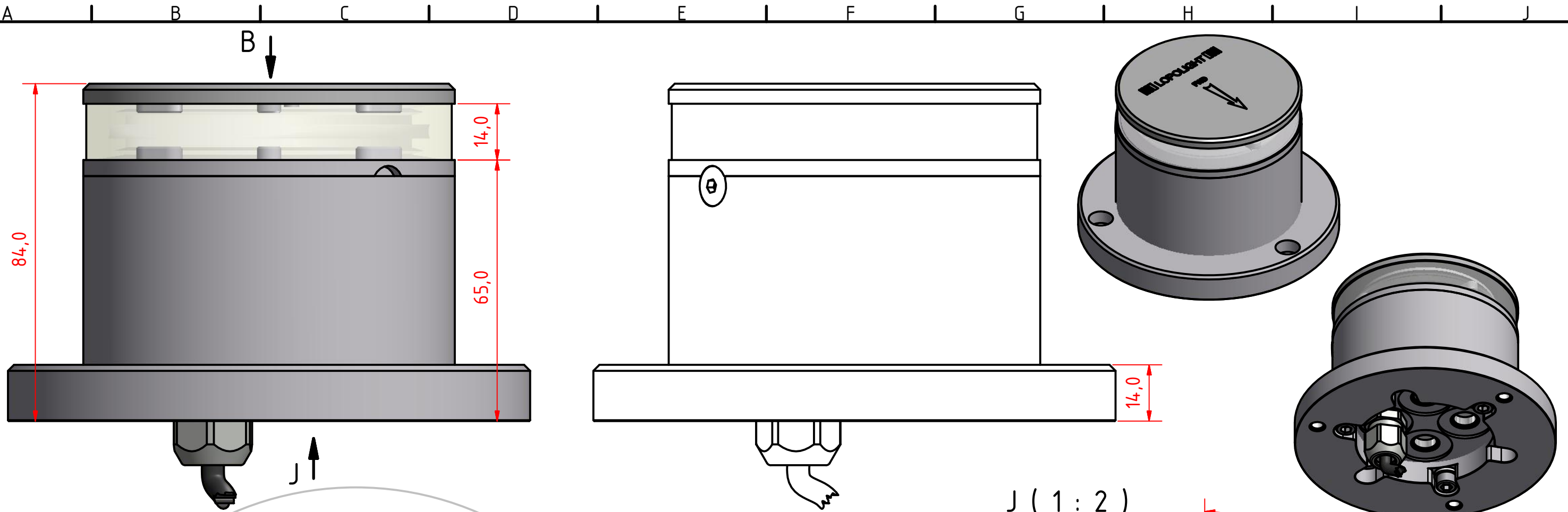
**LOPOLIGHT**

Lopolight ApS  
Ved Klaedebo 12  
DK-2970, Hoersholm  
Denmark

Tel:(+45) 32 48 50 30 Fax:(+45) 32 48 50 32  
info@lopolight.com

50MM AT A3





200-012 360° White - Anchor, 400-035			
Promount Base, With 400-401 Base Plate, Cable Down.			
DRAWING NO.: 200-012 G	REV. NO.: 0	SIZE: A3	DRAWN BY: Friisen
SCALE: 1:1	TOLERANCES: DS/ISO 2768-f	REVIEWED BY:	CREATION DATE: 19-Aug-2014
MATERIAL DESCRIPTION: Alu EN 6082, Arylic.			
<small>This Drawing, and the information within, is the property of Lopolight ApS and may not be used in any form without express permission there from. Lopolight reserves the right to change this drawing and assumes no liability for the information communicated herein. Use of dimensions and other information in this drawing is at the users own risk.</small>			

**LOPOLIGHT**

Lopolight ApS  
 Ved Klaedebo 12  
 DK-2970, Hoersholm  
 Denmark

www.lopolight.com

Tel: (+45) 32 48 50 30 Fax: (+45) 32 48 50 32  
 info@lopolight.com

50MM AT A3