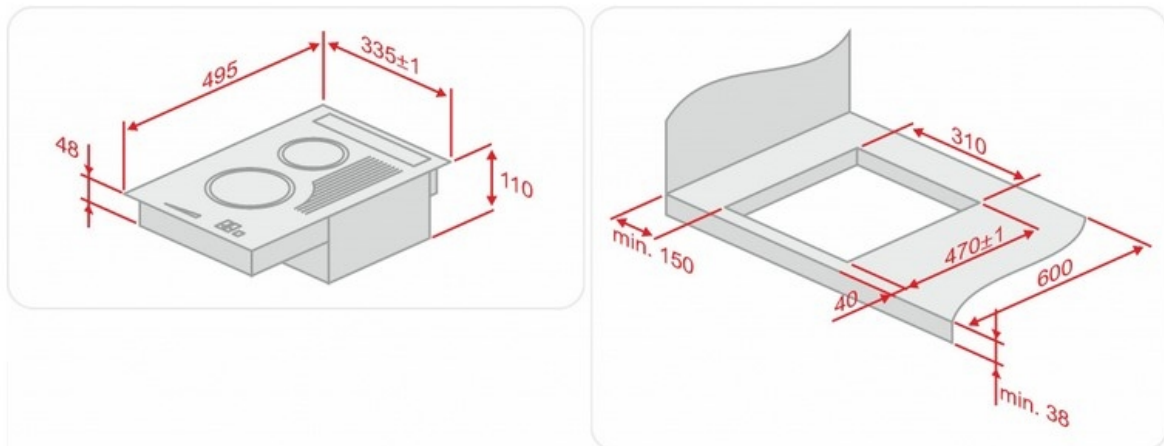


# Installation

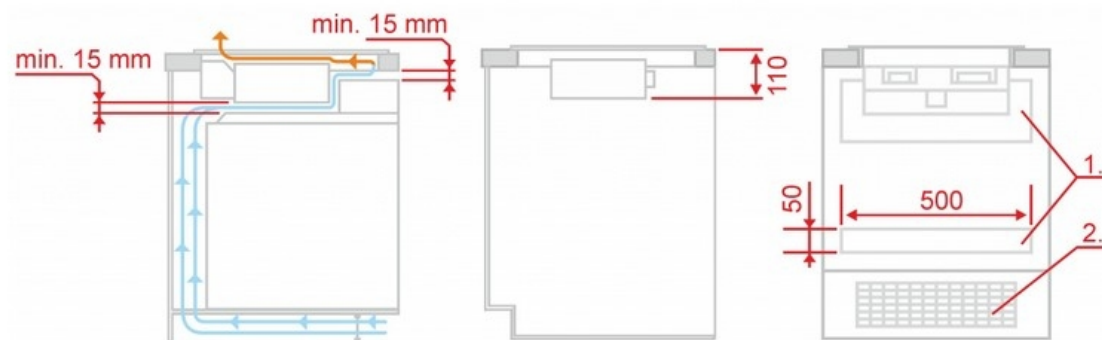
The tabletop, where you intend to install the gas hob must be screwed onto the cupboard. In order to install the stove, make an opening 470x310mm.

Please remember to provide a steady airflow from the hob.

A precise description of installation and mounting is presented in the images below:



Installing the stove over the oven:



Side view - Back view

- 1 - Vents
- 2 - Vent grid

Connecting the hob to gas network is done the same way as in traditional stoves - you will need an authorized gas specialist, who checks the tightness of the connection and stamp the warranty.