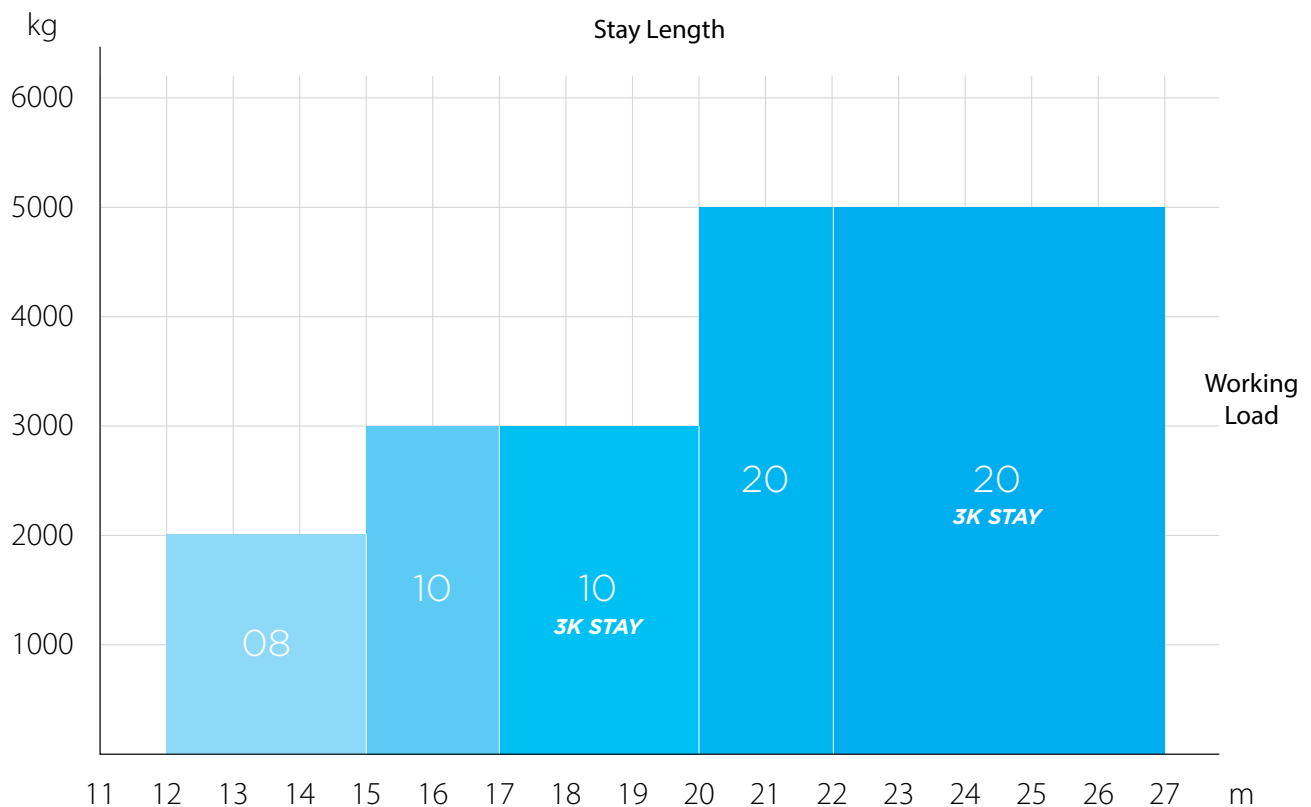
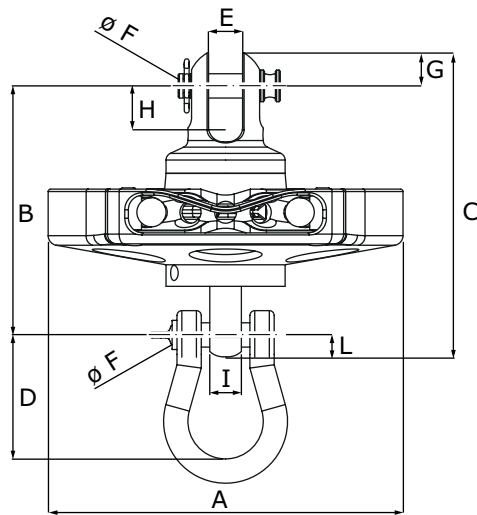


RLG EVO Technical Sheet

New furling system for Gennakers (sails with free flying luff), an evolution of the well-known and patented ROLLGEN system. This new development is characterized by both higher performances in terms of working load and smoothness in movement, and weight decrease by roughly 60%. Such characteristics have been obtained thanks to the use of materials such as Ergal, 17-4PH steel and carbon fiber.



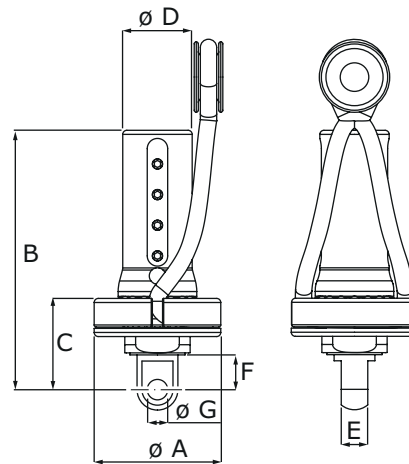
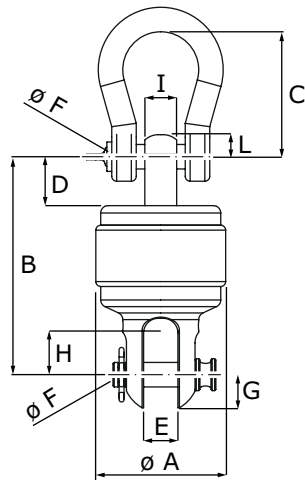
RLG EVO	Max Boat Length m	Max Stay Length sqm	Pin Diameter mm	Drum Diameter mm
08	8 - 11	100	8	110
10	11 - 17	150 - 170	10	146
20	17 - 21	230 - 280	12	210



RLG EVO	A	B	C	D	E	øF	G	H	I	L	Weight	Endless line ø	Code
Drum	mm	mm	mm	mm	mm	mm	mm	mm	mm	mm	kg	mm	
8	110 x 123,5	91	110	41	13	8	11,5	15	11	7,5	1	8	911080001
10	146 x 159,5	102,5	125	51	14	10	13,5	18	13	9	1,2	8	911100001
20	210 x 235	127	155	64	18	12	16,5	22,5	18	11,5	2,3	10	911200001

Halyard Swivel

Lower Clamp



RLG EVO	øA	B	C	D	E	øF	G	H	I	L	Weight	Code
Halyard Swivel	mm	mm	mm	mm	mm	mm	mm	mm	mm	mm	kg	
8	48	77,5	41	15,5	13	8	11,5	15	11	7,5	0,33	911080003
10	53	89	51	20	14	10	13,5	18	13	9	0,45	911100003
20	66	113	64	24	18	12	16,5	22,5	18	11,5	1	911200103

RLG EVO	øA	B	C	øD	E	F	øG	Weight	Code
Lower Clamp	mm	mm	mm	mm	mm	mm	mm	kg	
8	58	127	40,7	31	12	14	8	0,3	911250800
10	62	127	45	34	13	17	10	0,36	911251000
10 3K	62	127	45	34	13	17	10	0,36	911252000
20	74	167	53	36	17	20	12	0,57	911251001
20 3K	74	167	53	36	17	20	12	0,57	911252001