

# SKYSCREEN Roller Recessed Order Form and Product Guide

Customer \_\_\_\_\_  
 Address \_\_\_\_\_  
 \_\_\_\_\_  
 \_\_\_\_\_

Tel \_\_\_\_\_  
 Fax \_\_\_\_\_  
 Mobile \_\_\_\_\_  
 Email \_\_\_\_\_

Order \_\_\_\_\_  
 Quote \_\_\_\_\_  
 Project name \_\_\_\_\_  
 Project location \_\_\_\_\_  
 Date \_\_\_\_\_

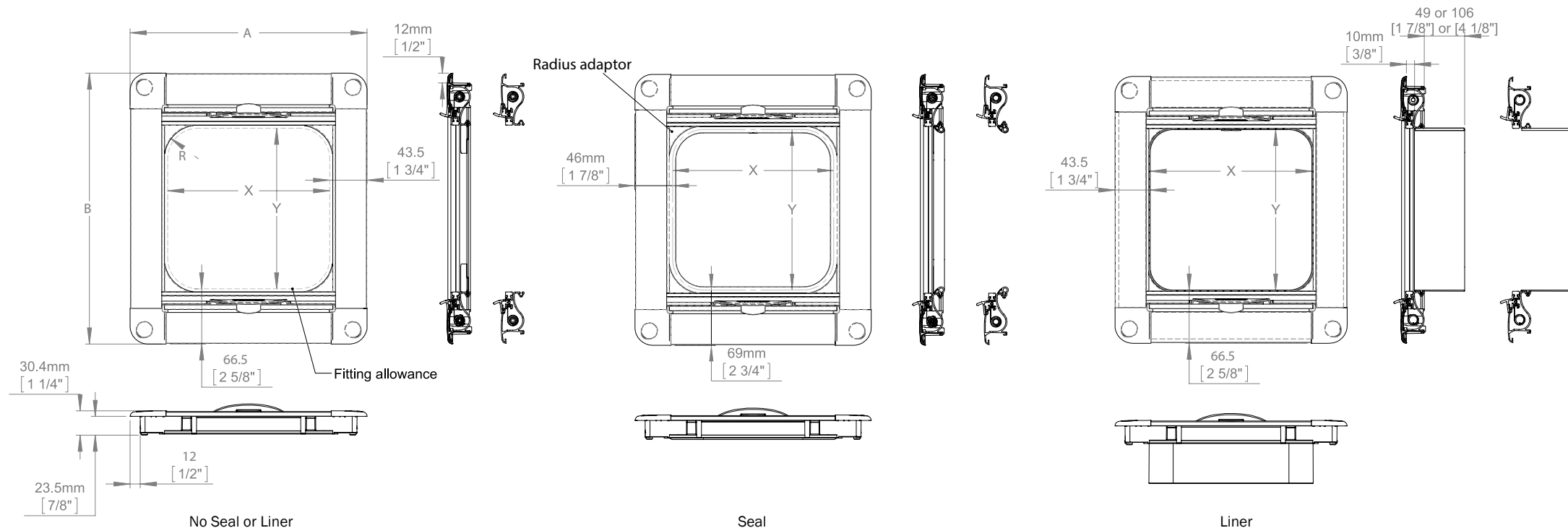
Item	Window ID	Dimension type	Hatch code	Not required if selecting defined hatch		Frame colour	Format — Fabric type	Blind fabric code	Radius adaptor	Seal or liner <sup>3</sup> With 42mm radius adaptor	Damper	Qty
				Width (X or A)	Drop (Y or B)							
1		Defined hatch Aperture (X&Y) External (A&B)				White Beige	Full Travel: Blind / Fly Meet In the middle: Blind / Blind Fly / Fly	Default Or from collection <sup>2</sup> Fabric code: _____	None 30 42 50	Seal Liner: 62mm 118mm	No	
2		Defined hatch Aperture (X&Y) External (A&B)				White Beige	Full Travel: Blind / Fly Meet In the middle: Blind / Blind Fly / Fly	Default Or from collection <sup>2</sup> Fabric code: _____	None 30 42 50	Seal Liner: 62mm 118mm	No	
3		Defined hatch Aperture (X&Y) External (A&B)				White Beige	Full Travel: Blind / Fly Meet In the middle: Blind / Blind Fly / Fly	Default Or from collection <sup>2</sup> Fabric code: _____	None 30 42 50	Seal Liner: 62mm 118mm	No	

		Aperture (X)	External (A)
Width	Min	210mm [8 1/4"]	300mm [11 3/16"]
	Max	1100mm [43 5/16"]	1190mm [46 7/8"]
Drop - Full travel	Min	100mm [3 15/16"]	230mm [9 1/16"]
	Max	900mm [35 7/16"]	1030mm [40 9/16"]
Drop - Meet in the middle	Min	210mm [8 1/4"]	340mm [13 3/8"]
	Max	1100mm [43 5/16"]	1230mm [48 7/16"]

1. See defined hatch sizes on [page 2](#)
2. See online fabric collection for other available fabrics <http://www.oceanair.co.uk/fabric-collection>
3. Seal and liner require a radius adaptor (default 42mm ) see diagram on page 2

Internal use only	Customised
-------------------	------------

# SKYSCREEN Roller Recessed Order Form and Product Guide



Code	Manufacturer	X	Y
10	Lewmar	257mm [10 1/8"]	257mm [10 1/8"]
20	Lewmar	344mm [13 9/16"]	199mm [7 13/16"]
30	Lewmar	454mm [17 7/8"]	324mm [12 3/4"]
40	Lewmar	418mm [16 7/16"]	418mm [16 7/16"]
44	Lewmar	439mm [17 5/16"]	439mm [17 5/16"]
50	Lewmar	504mm [19 13/16"]	375mm [14 3/4"]
54	Lewmar	504mm [19 13/16"]	389mm [15 5/16"]
60	Lewmar	504mm [19 13/16"]	504mm [19 13/16"]
70	Lewmar	624mm [4 9/16"]	624mm [24 9/16"]

Code	Manufacturer	X	Y
1000	Bomar	275mm [10 13/16"]	275mm [10 13/16"]
1029	Bomar	470mm [18 1/2"]	340mm [13 3/8"]
1039	Bomar	514mm [20 1/4"]	514mm [20 1/4"]
1049	Bomar	640mm [25 3/16"]	640mm [25 3/16"]
1070	Bomar	420mm [16 9/16"]	420mm [16 9/16"]
1080	Bomar	470mm [18 1/2"]	470mm [18 1/2"]
1212	Taylor	305mm [12"]	305mm [12"]
2020	Taylor	502mm [19 3/4"]	502mm [19 3/4"]
2222	Taylor	559mm [22"]	559mm [22"]

When selecting a SKYSCREEN ROLLER RECESSED it is important to establish the type and manufacturer of hatch, dimensions, mounting location and interior design.

For liner installations a precision fit is required as are the details of the radius adaptors and X and Y dimensions. Please note that these are only a sample of the range available; please contact your nearest Oceanair distributor or visit [www.oceanair.co.uk](http://www.oceanair.co.uk)