

HATCHSHADE 2

Order Form and Product Guide

Customer _____
 Address _____

Tel _____
 Fax _____
 Mobile _____
 Email _____

Order _____
 Quote _____
 Project Name _____
 Project Location _____
 Date _____

Window ID	Location	Dimension Info					Fabric	Housing Colour	Hold Down Options	Additional Pegs Required	Fixings	Qty	
		Overall width (Z)	Fabric Width (X) ²	Irregular Blinds									Fabric Drop (Y) ³
				A	B	C							
							Solar White Shield From Collection Code	Silver Anodized White Beige	Mini Grip Toggle Long Toggle Pegs	Qty _____	Top Face		
							Solar White Shield From Collection Code	Silver Anodized White Beige	Mini Grip Toggle Long Toggle Pegs	Qty _____	Top Face		

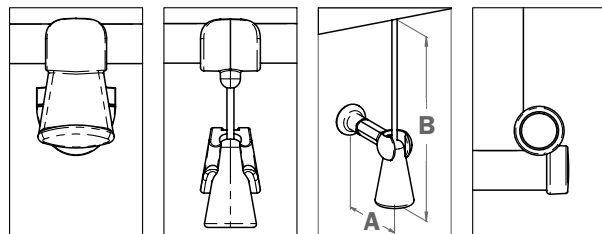
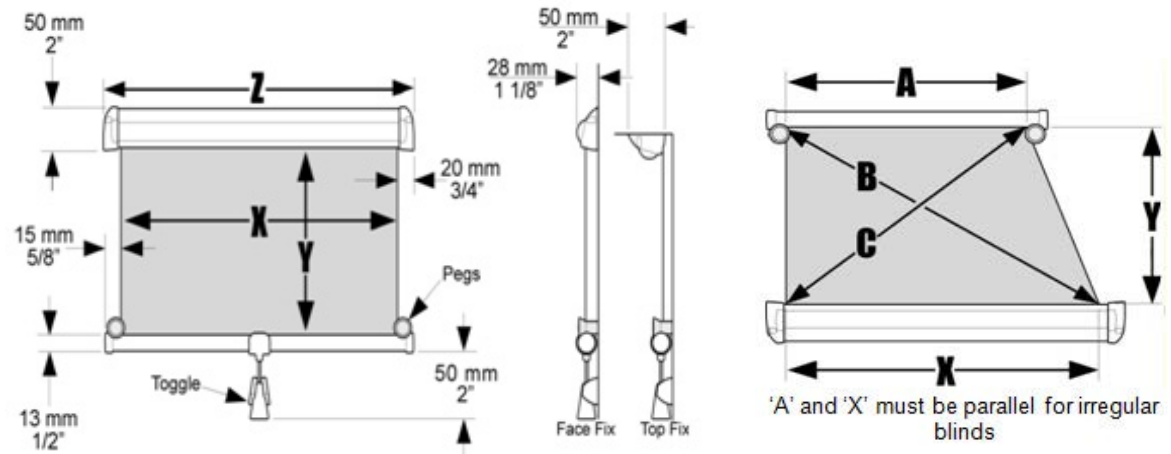
1. Please provide either 'Z' or 'X' measurement.
2. Width: Min 200mm (7 7/8") - Max 1400mm [55 1/8"]
3. The maximum drop is dictated by the chosen fabric.
4. Standard fabric is Solar Shield White, for other fabrics see fabric collection.

Pegs Supplied				
Hold Down Option	Mini Grip	Toggle	Long Toggle	Pegs
No. of Pegs	2	2	2	4

5. Pegs are supplied as standard when selecting Hold down options, they can be used in addition to the option chosen or for deploying the blind halfway. If more are required, please state quantity above.

* For irregular shapes, please supply dimensions A, B and C in addition to X and Y (see drawing)

* Blinds over 800 mm (31 1/2") wide have two handles (All dimensions converted to the nearest 1/8". If sizes are critical, please use metric measurements).



Mini Grip Toggle Long Toggle Peg

A = 35.4mm [1 3/8"]
 B = 80.4mm [3 1/8"]