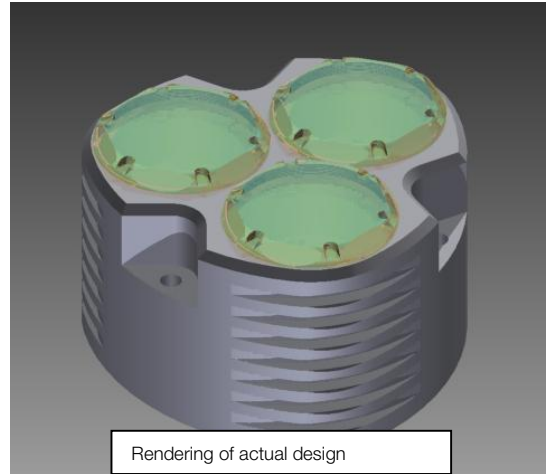


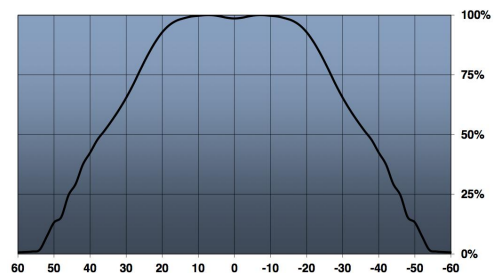
## HIGH POWER LED SPREADER LIGHT

Based on top quality components using latest generation temperature tolerant Cree LEDs this spreader light pumps out 2000 lumens of neutral white light (3500K), available in 3 reflector versions (74°, 36°, 26°).

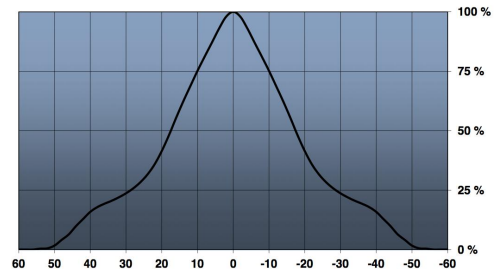
The light body is machined from seawater resistant aluminium, hard coat anodised in black, for many years of service. Waterproof to IP68 and 5 years warranty.



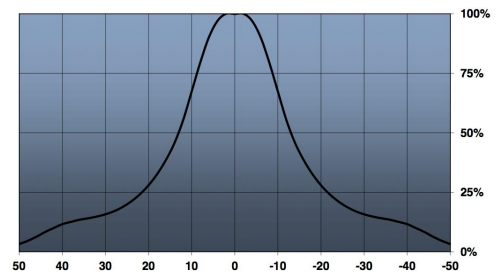
Models: P/N 400-080-74  
Light spread 74°  
Light intensity (Lux):  
1m / 3m / 6m / 10m / 15m  
1200 / 150 / 35 / 12 / 6



P/N 400-080-36  
Light spread 36°  
Light intensity (Lux):  
1m / 3m / 6m / 10m / 15m  
5000 / 600 / 140 / 50 / 25



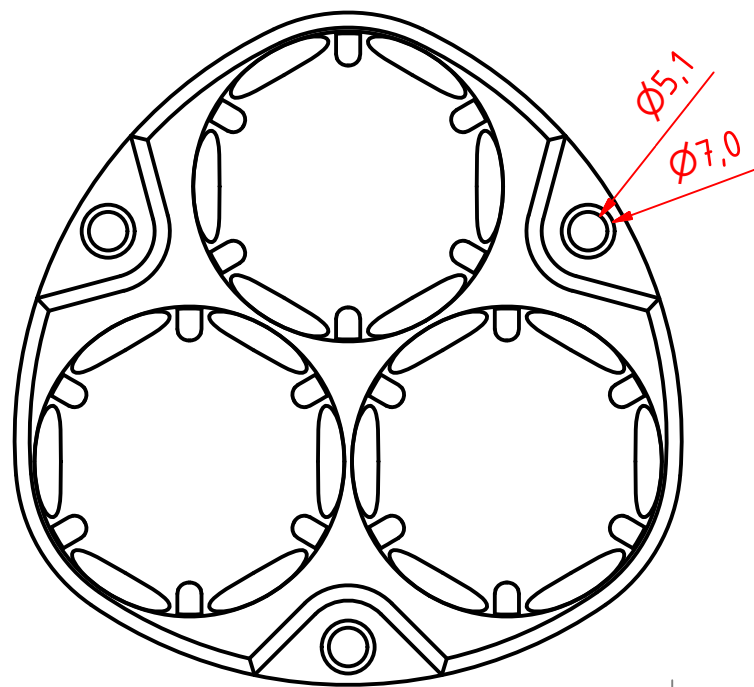
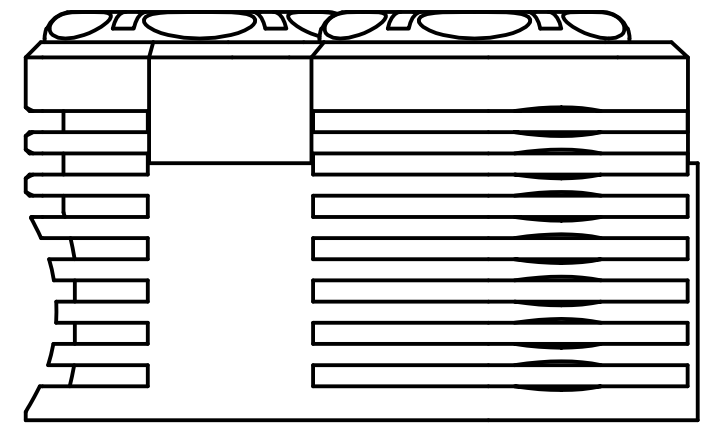
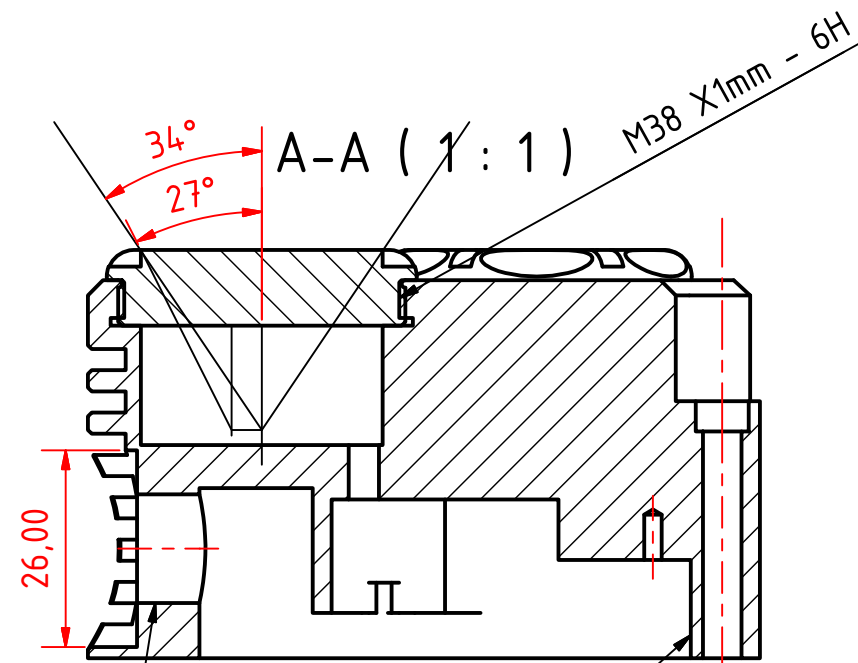
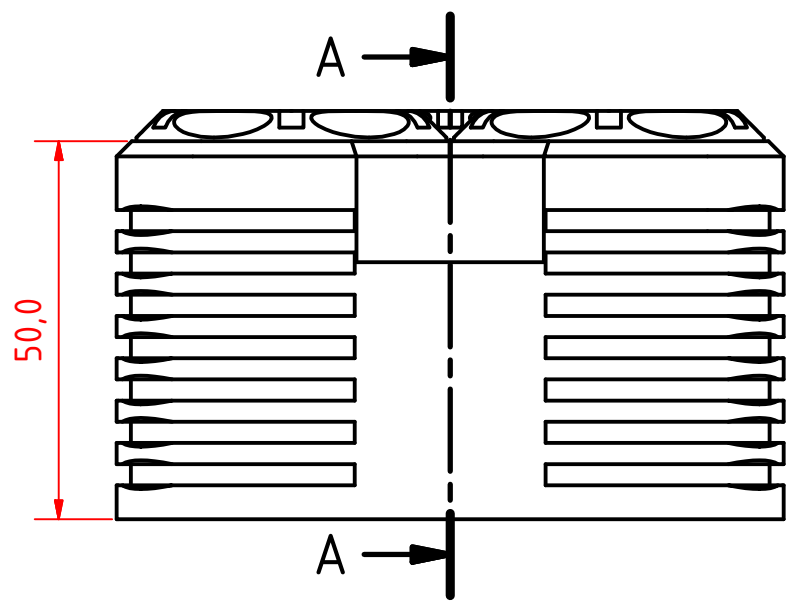
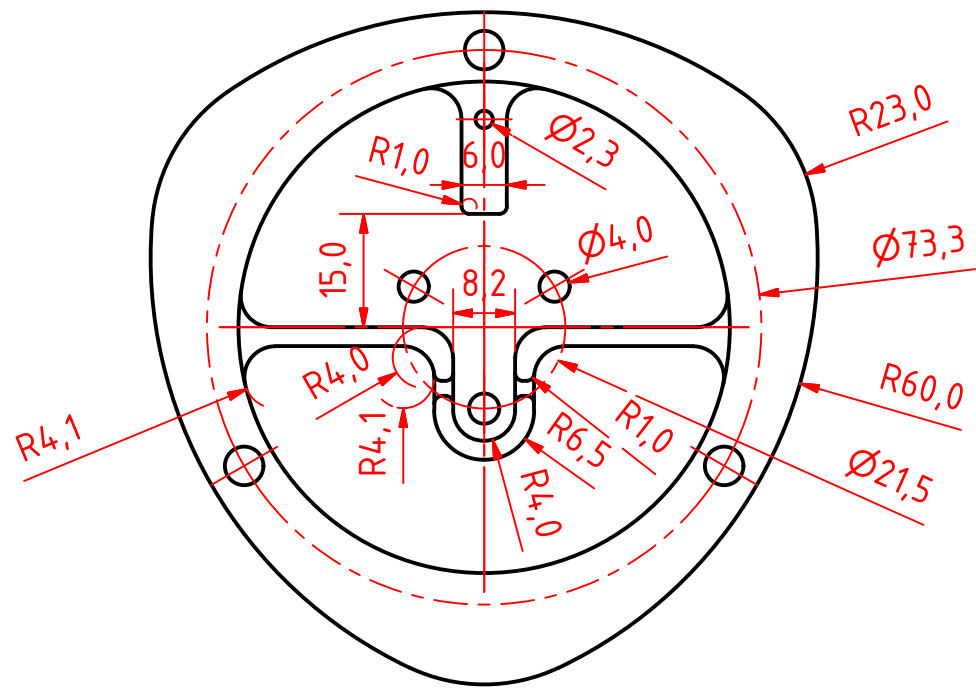
P/N 400-080-26  
Light spread 26°  
Light intensity (Lux):  
1m / 3m / 6m / 10m / 15m  
8000 / 900 / 250 / 80 / 40



Supply Voltage: 24 VDC

Power: <30 Watt

Dimming:	3 options for dimming a) 0-5 Volt b) 0-10 Volt c) RS-485, proprietary protocol
Standards:	System designed and tested to comply with EN 60945
Cabling:	Pre-cabled with 2,5 meter marine grade cable to IEC 60228 Class 5 Cable bay and cable gland allow change to different cable
Dimensions:	Surface mount 95 x 95 mm x 50 mm
Materials:	Housing machined from 6082 marine grade aluminium Hard coat anodised Acrylic lens 316/A4 stainless steel bolts



Ø14,50 - 18,00 DEEP  
M16x1.5 - 6H  
DIN 974 - Ø26,00 X 6,50

M65X1mm - 6H, 6 Deep

50MM AT A3

DRAWING NO.:	REV. NO.:	SIZE: <b>A3</b>	DRAWN BY: <b>Pauls Parallels</b>
SCALE:	TOLERANCES: <b>DS/ISO 2768-f</b>	REVIEWED BY:	
MATERIAL DESCRIPTION:			

This Drawing, and the information within, is the property of Lopolight ApS and may not be used in any form without express permission there from. Lopolight reserves the right to change this drawing and assumes no liability for the information communicated herein. Use of dimensions and other information in this drawing is at the users own risk.



Lopolight ApS  
Ved Klaedebo 12  
DK-2970, Hoersholm  
Denmark

Tel: (+45) 32 48 50 30 Fax: (+45) 32 48 50 32  
info@lopolight.com

A B C D E F G H I J

1  
2  
3  
4  
5  
6  
7  
8

1  
2  
3  
4  
5  
6  
7  
8

A B C D E F G H I J