

SKYSCREEN Roller Surface 2 Order Form and Product Guide

Customer _____	Tel _____	Order _____	Quote _____
Address _____	Fax _____	Project Name _____	
_____	Mobile _____	Project Location _____	
_____	Email _____	Date _____	

Item	Window ID	Dimension type	Hatch Code	Not required if Selecting Defined Hatch		Frame Colour	Format	Seal or Liner ³		Not required if Selecting Defined Hatch Radius Adaptors (R)		Damper ⁴	Qty
				Width (X)	Drop (Y)			Seal	Liner				
		Defined Hatch ¹ Aperture (X & Y) ² External (A & B) ²				White Beige	Blind/Fly Full Travel	Seal Liner 62mm	Liner 118mm None	30 50	42 None	Yes	
		Defined Hatch ¹ Aperture (X & Y) ² External (A & B) ²				White Beige	Blind/Fly Full Travel	Seal Liner 62mm	Liner 118mm None	30 50	42 None	Yes	
		Defined Hatch ¹ Aperture (X & Y) ² External (A & B) ²				White Beige	Blind/Fly Full Travel	Seal Liner 62mm	Liner 118mm None	30 50	42 None	Yes	
		Defined Hatch ¹ Aperture (X & Y) ² External (A & B) ²				White Beige	Blind/Fly Full Travel	Seal Liner 62mm	Liner 118mm None	30 50	42 None	Yes	

1. Defined Hatch codes and sizes

Hatches	Manufacturer	X	Y
10	Lewmar	260 [10 1/4"]	260 [10 1/4"]
20	Lewmar	347 [13 11/16"]	202 [7 15/16"]
30	Lewmar	457 [18"]	327 [12 7/8"]
40	Lewmar	421 [16 9/16"]	421 [16 9/16"]
44	Lewmar	442 [17 3/8"]	442 [17 3/8"]
50	Lewmar	507 [19 15/16"]	377 [14 13/16"]

Hatches	Manufacturer	X	Y
54	Lewmar	507 [19 15/16"]	392 [15 7/16"]
60	Lewmar	507 [19 15/16"]	507 [19 15/16"]
1000	Bomar	273 [10 3/4"]	273 [10 3/4"]
1029	Bomar	470 [16"]	340 [13 3/8"]
1039	Bomar	514 [20 1/4"]	514 [20 1/4"]
1049	Bomar	638 [25 1/8"]	638 [25 1/8"]

Hatches	Manufacturer	X	Y
1070	Bomar	421 [16 9/16"]	421 [16 9/16"]
1080	Bomar	470 [18 1/2"]	470 [18 1/2"]
1212	Taylor	305 [12"]	305 [12"]
2020	Taylor	502 [19 3/4"]	502 [19 3/4"]
2222	Taylor	559 [22"]	559 [22"]

Max & minimums

Width	X mm	Drop	Y mm
Min	150 [5 9/16"]	Min	100 [3 15/16"]
Max	620 [24 7/16"]	Max	620 [24 7/16"]

2. See page 2 for "X&Y" and "A&B" dimensions

3. If seal or liner is selected, a Radius Adaptor must also be chosen

4. Dampers are automatically fitted to blinds with width (X) or Drop (Y) greater than 507mm

Standard Fabrics are Solar Shield White & SKYSCREEN Flyscreen.

Oceanair Marine Ltd Chichester PO20 0AY United Kingdom

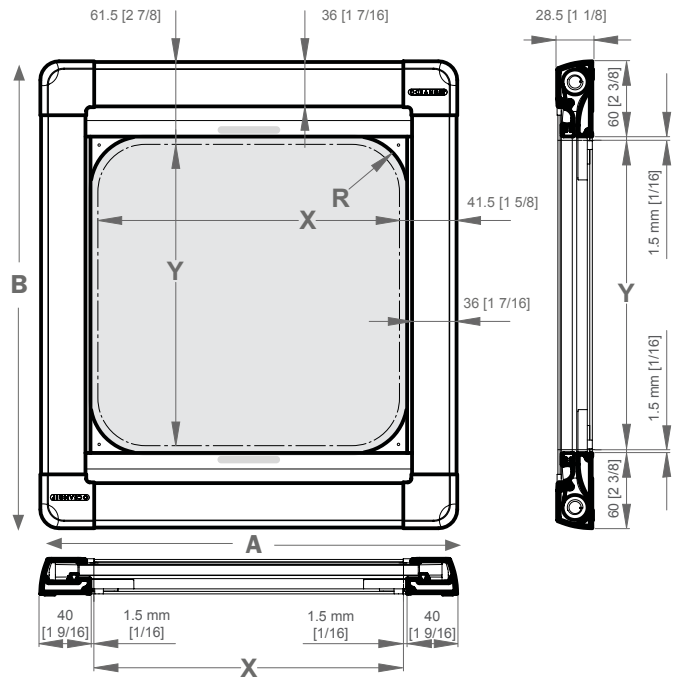
Tel: +44 (0)1243 606909 Fax: +44 (0)1243 608300

www.oceanair.co.uk email: salesenquiries@oceanair.co.uk

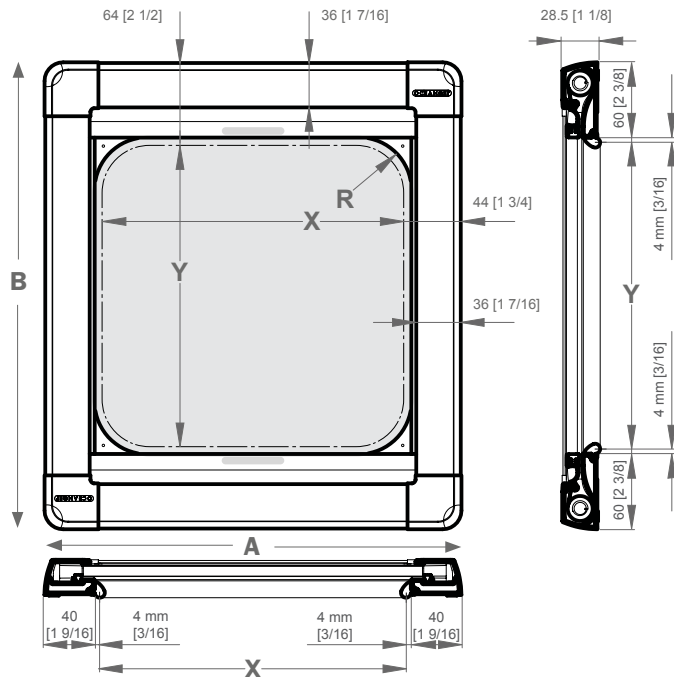
Internal use only	Customised
-------------------	------------

SKYSCREEN Roller Surface 2

No Seal or Liner



With Seal



With Liner

