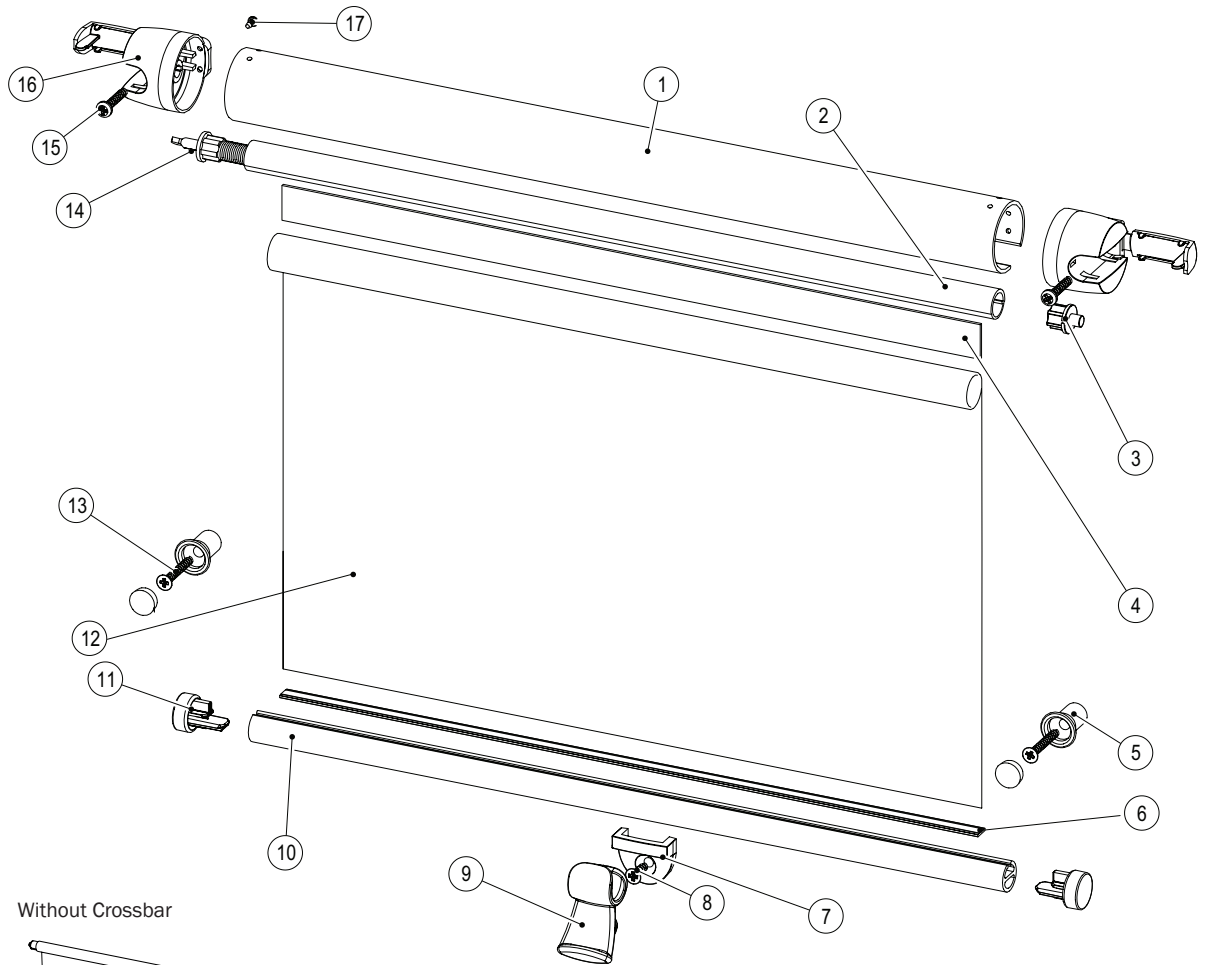
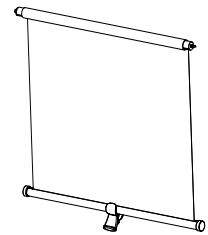


OCEANair CABINSHADE Exploded Parts Diagram

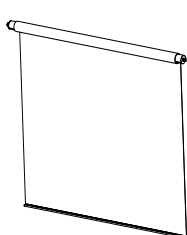


Blind Assembly

With Crossbar



Without Crossbar

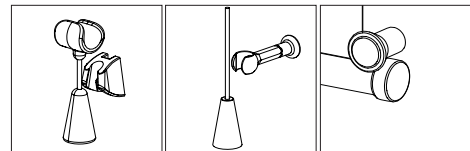


Hold down options

Toggle

Long Toggle

Peg



Recommended Spare part Kits

Blind Assembly

Oceanair Kit Part No.	Kit Description	Item No,s
AC-CSH-**-BLINDASS+XB	With crossbar	2, 4, 6, 9, 10, 11, 12, 14, 16,
AC-CSH-**-BLINDASS	Without crossbar	2, 4, 6, 12, 14, 16

** Replace with either standard size number or X/Y dimensions of screen

Roller cover Endcaps

Oceanair Kit Part No.	Kit Description	Item No,s
AC-CSH-ENDCAP-B*2	Endcap kit Beige	16,17
AC-CSH-ENDCAP-G*2	Endcap kit Grey	
AC-CSH-ENDCAP-W*2	Endcap kit White	

Crossbar Endcaps

Oceanair Kit Part No.	Kit Description	Item No,s
AC-CSH-XBAR ENDCAPS-B*2	Crossbar endcap Beige	11 (2 off)
AC-CSH-XBAR ENDCAPS-G*2	Crossbar endcap Grey	
AC-CSH-XBAR ENDCAPS-W*2	Crossbar endcap White	

Item	Description	Qty
1	Roller Cover	1
2	Roller	1
3	Roller Bearing	1
4	Double sided tape	1
5	Peg	2
6	Tape	1
7	Minigrip Hold Down Catch	1
8	Screw No6 x 19mm Csk	1
9	Minigrip Hold Down	1
10	Crossbar	1
11	Crossbar End Cap	2
12	Fabric	1
13	Screw No6 x 25mm CSK	2
14	Spring A	1
15	Screw No6 x 19mm CSK	2
16	Roller Cover End Cap	2
17	Screw No2 x 3/16 Pan Pozi	4