

1 2 3 4 5 6 7 8

A

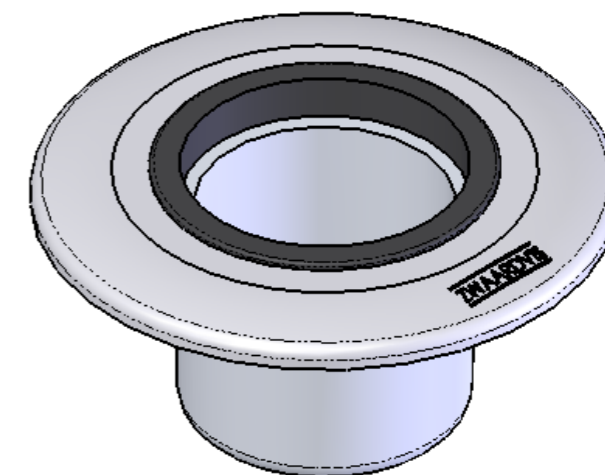
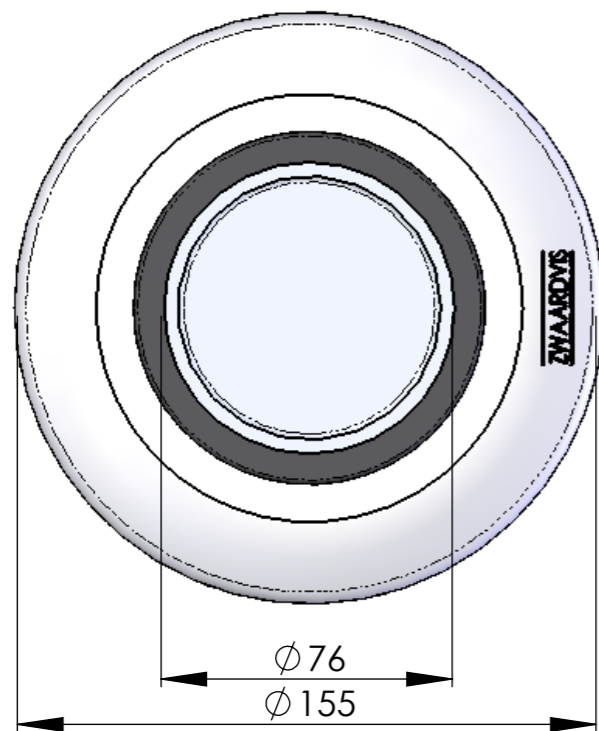
A

B

B

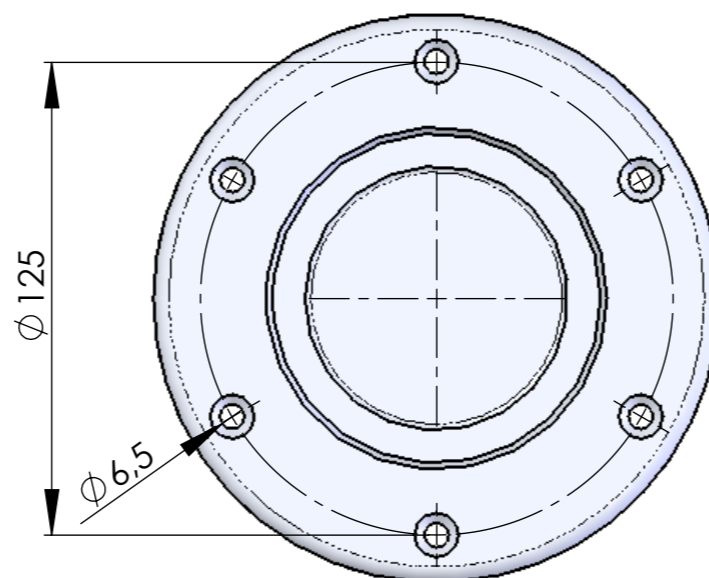
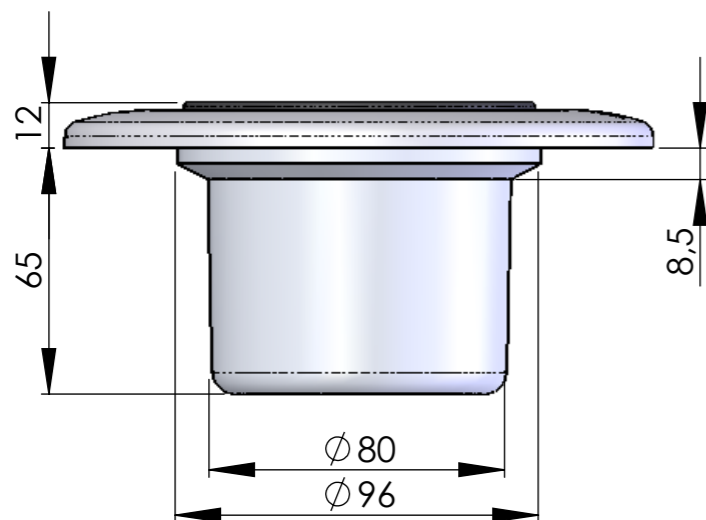
C

C



D

D



E

F

All the information contained in this design is the property of Zwaardvis BV. Zwaardvis BV is and remains the exclusive holder of rights to this information, including all intellectual property rights (including but not limited to copyright, designs and models rights, and trademark).

This design may only be used as previously expressly agreed upon in writing. No other use is permitted without prior written permission from Zwaardvis BV. Distribution of this design without this statement, including the statement of rights, is not permitted.

© Zwaardvis BV 2011

Title: Z.64097

Quick Fix base alu 76 ø155 cover S/S

Date

24-10-2012

Weight

0.20 KG



**zwaardvis** www.zwaardvis.com

Zwaardvis BV  
P.O. Box 115  
5480 AC Schijndel  
The Netherlands

1

2

3

4