

IP40 consumer units - TECHNICAL CHARACTERISTICS

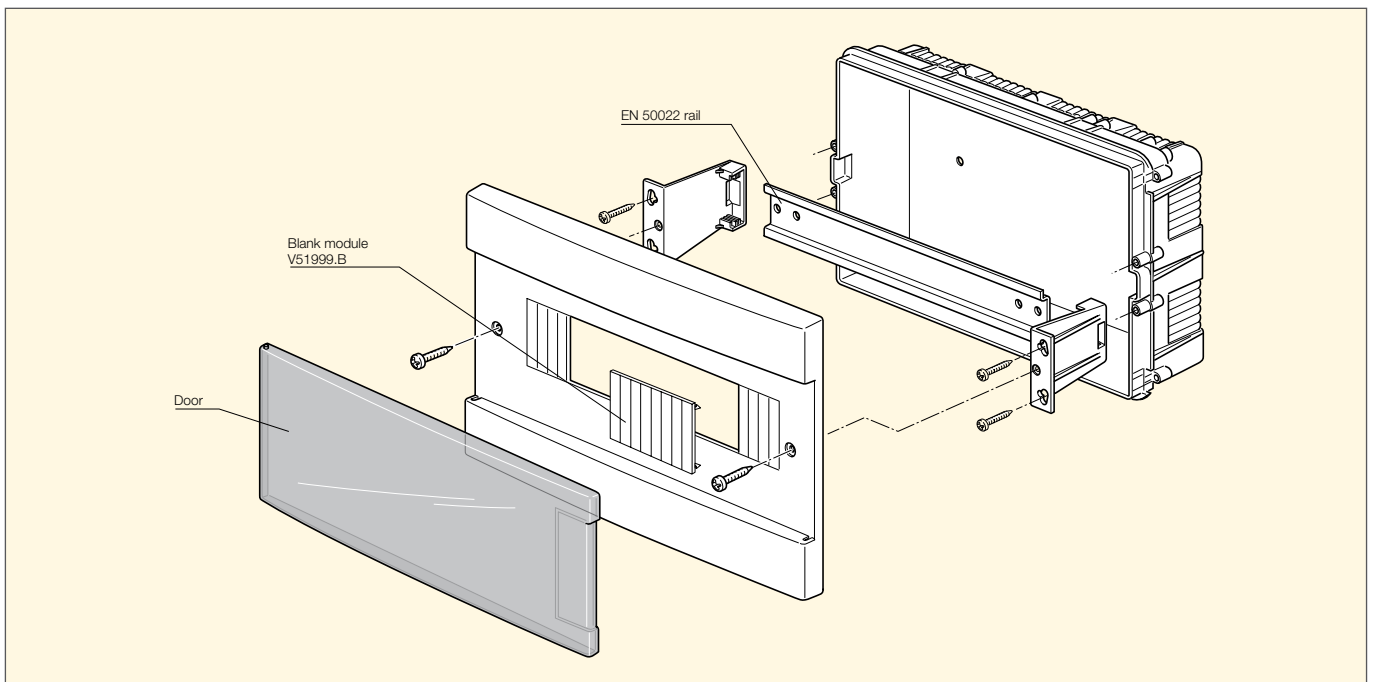
Technical specifications

- support for EN 50022 rail adjustable for horizontal alignment of the consumer units 4 - 8 - 12 modules, for 24-36 module consumer units one position only, to ease the equipments wiring
- complete with flush mounting box
- polycarbonate transparent door, opening at 180°, left or right hinged
- protection degree (EN 60529): IP40
- resistance to abnormal heat and to fire (Glow Wire test): 650 °C
- resistance to ageing according to Italian Standard CEI 23-48: 7 days at 70 °C
- resistance to heat: ball-pressure test, according to Italian Standard CEI 23-48: 70 °C

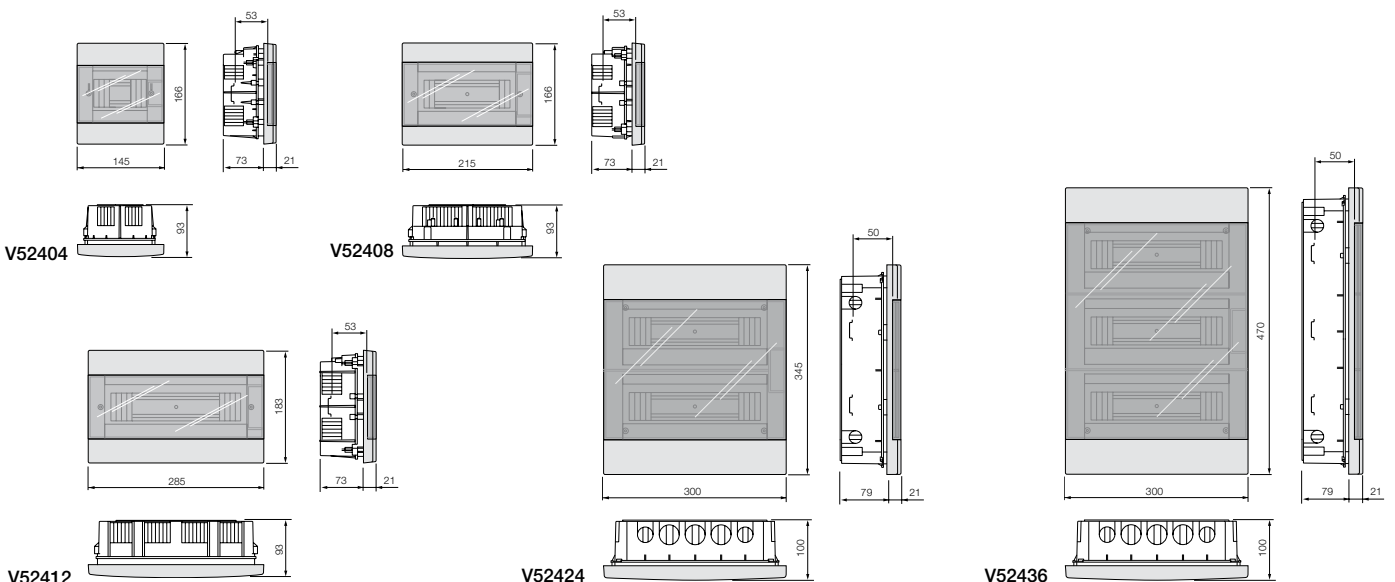
- temperature during installation: -15 °C - +60 °C
- max dissipable power:
 - V52404: 14 W
 - V52408: 19 W
 - V52012: 28 W
 - V52424: 58 W
 - V52036: 68 W
- colour: RAL 9003 white

Conformity to Standards

LV Directive
CEI 23-48 (IEC 60670), CEI 23-49 Standards



Dimensions (in mm)



IP40 consumer units

IP40 flush mounting consumer unit

- V52404** Flush mounting consumer unit with vertically hinged transparent door, 4 modules, RAL 9003 white
- V52408** Flush mounting consumer unit with vertically hinged transparent door, 8 modules, RAL 9003 white



V52404



V52408

IP40 flush mounting consumer unit

- V52412** Flush mounting consumer unit with vertically hinged transparent door, 12 modules, RAL 9003 white
- V52424** Flush mounting consumer unit with vertically hinged transparent door, 24 modules, RAL 9003 white
- Pre-set for support for earth terminal block V51863



V52412



V52424

IP40 flush mounting consumer unit

- V52436** Flush mounting consumer unit with vertically hinged transparent door, 36 modules, RAL 9003 white
- Pre-set for support for earth terminal block V51863



V52436

IP40 consumer units - TECHNICAL CHARACTERISTICS

Technical specifications

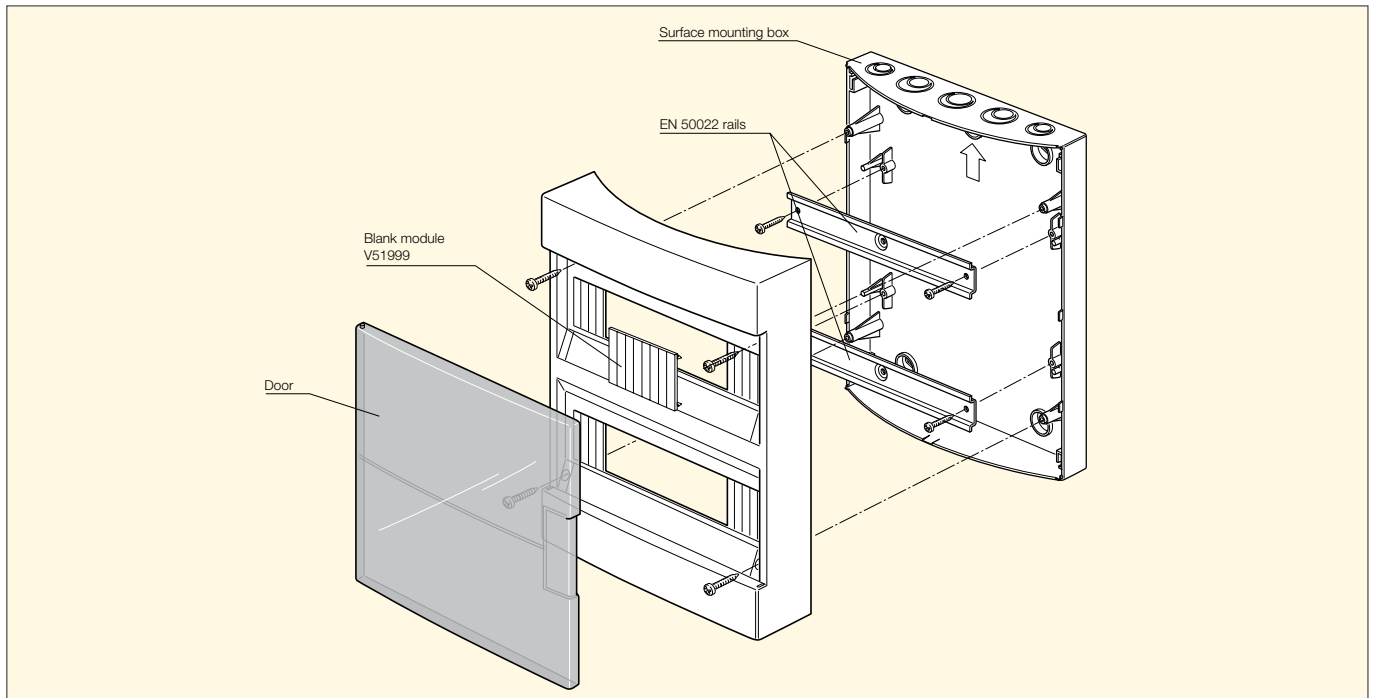
- support for EN 50022 rail fixed on the bottom of mounting box
- pre-set for terminal block and supports for terminal blocks
- protection degree (EN 60529): IP40
- resistance to abnormal heat and to fire (Glow Wire test): 650 °C
- resistance to ageing according to Italian Standard CEI 23-48: 7 days at 70 °C
- resistance to heat: ball-pressure test, according to Italian Standard CEI 23-48: 70 °C
- temperature during installation: -15 °C - +60 °C
- polycarbonate transparent door, opening at 180°, left or right hinged

- max dissipable power:

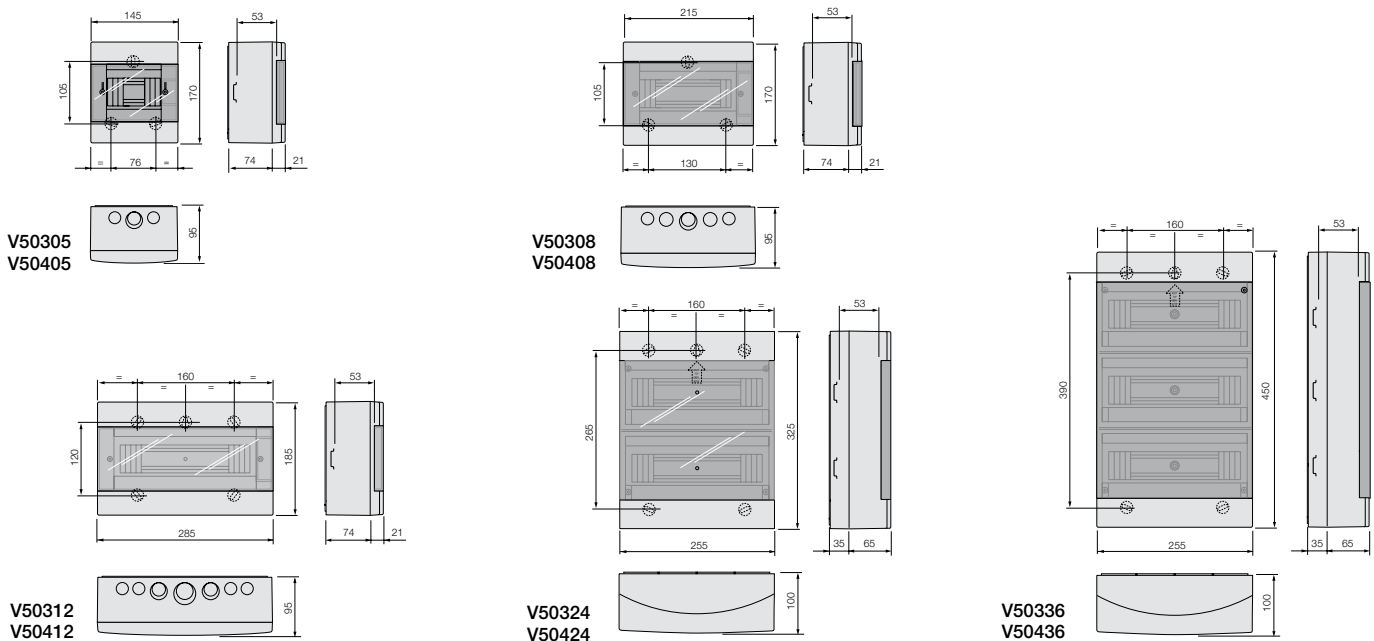
- V50305: 10 W	V50405: 9 W
- V50308: 13 W	V50408: 12 W
- V50312: 19 W	V50412: 18 W
- V50324: 37 W	V50424: 31 W
- V50336: 49 W	V50436: 7 W

Conformity to Standards

LV Directive
CEI 23-48 (IEC 60670), CEI 23-49 Standards



Dimensions (in mm)



IP40 consumer units

IP40 surface mounting consumer unit

V50305	Consumer unit without door, 5 modules (4+1), undrilled walls, RAL 7035 grey. • Pre-set for support for earth terminal block V51859
V50405	Consumer unit with vertically hinged transparent door, 5 modules (4+1), RAL 7035 grey. • Pre-set for support for earth terminal block V51859
V50308	Consumer unit without door, 8 modules, undrilled walls, RAL 7035 grey. • Pre-set for support for earth terminal block V51860
V50408	Consumer unit with vertically hinged transparent door, 8 modules, RAL 7035 grey. • Pre-set for support for earth terminal block V51860



V50305



V50405



V50308



V50408

IP40 surface mounting consumer unit

V50312	Consumer unit without door, 12 modules (12+1), undrilled walls, RAL 7035 grey. • Pre-set for support for earth terminal block V51861
V50412	Consumer unit with vertically hinged transparent door, 12 modules (12+1), RAL 7035 grey. • Pre-set for support for earth terminal block V51861



V50312



V50412

IP40 surface mounting consumer unit

V50324	Consumer unit without door, 24 modules, undrilled walls, RAL 7035 grey. • Pre-set for support for earth terminal block V51862
V50424	Consumer unit with vertically hinged transparent door, 24 modules, RAL 7035 grey. • Pre-set for support for earth terminal block V51862



V50324



V50424

IP40 surface mounting consumer unit

V50336	Consumer unit without door, 36 modules, undrilled walls, RAL 7035 grey. • Pre-set for support for earth terminal block V51862
V50436	Consumer unit with vertically hinged transparent door, 36 modules, RAL 7035 grey. • Pre-set for support for earth terminal block V51862



V50336



V50436

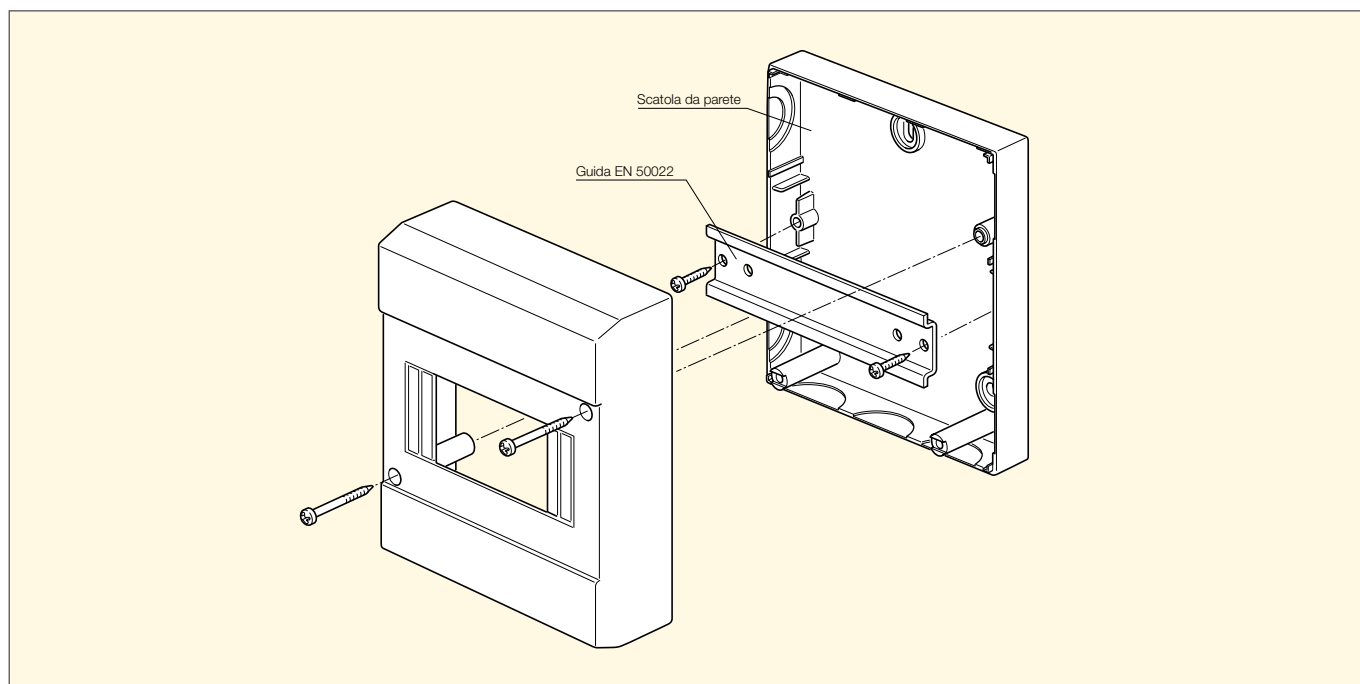
IP40 consumer units - TECHNICAL CHARACTERISTICS

Technical specifications

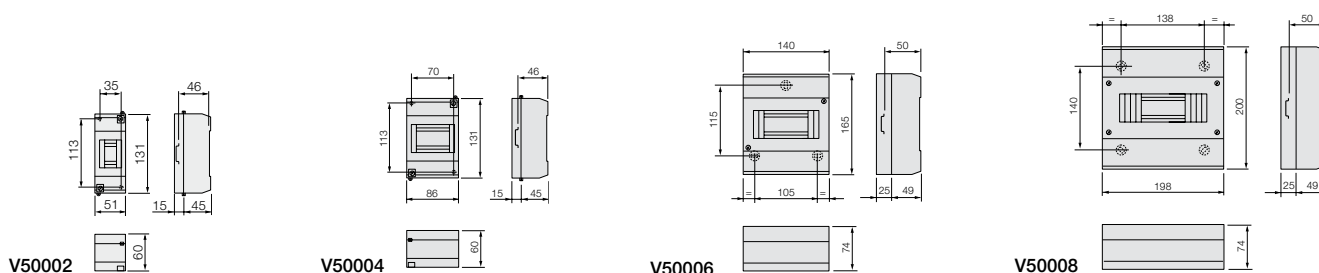
- possibility of sealing with lead
- protection degree (EN 60529): IP40
- resistance to abnormal heat and to fire (Glow Wire test): 650 °C
- resistance to ageing according to Italian Standard CEI 23-48: 7 day at 70 °C
- resistance to heat: ball-pressure test according to Italian standard CEI 23-48: 70 °C
- temperature during installation: -15 °C - +60 °C
- max dissipable power:
 - V50002: 5 W
 - V50004: 7 W
 - V50006: 12 W
 - V50008: 21 W

Conformity to Standards

- LV Directive
- CEI 23-48 (IEC 60670), CEI 23-49 Standards



Dimensions (in mm)



IP40 consumer units

IP40 surface mounting cover

V50002 Surface mounting cover without door, 2 modules (1+1), RAL 7035 grey



V50002

IP40 surface mounting cover

V50004 Surface mounting cover without door, 4 modules (3+1), RAL 7035 grey



V50004

IP40 surface mounting cover

V50006 Surface mounting cover without door, 6 modules (4+2), RAL 7035 grey



V50006

IP40 surface mounting cover

V50008 Surface mounting cover without door, 8 modules (4+4), RAL 7035 grey



V50008

IP55 consumer units - TECHNICAL CHARACTERISTICS

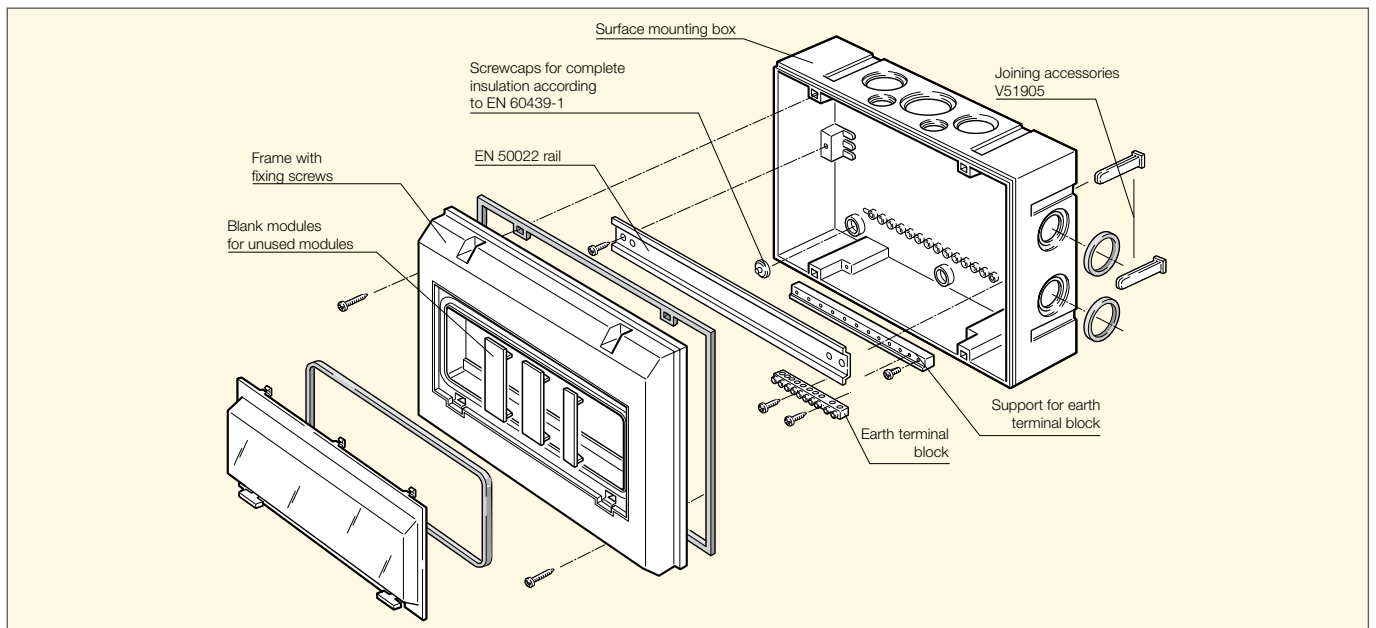
Technical specifications

- polycarbonate transparent door
- possibility of adjoining to additional consumer units, through listed accessories and of sealing with lead
- pre-set for terminal blocks and supports for terminal blocks
- protection degree (EN 60529): IP55
- resistance to abnormal heat and to fire (Glow Wire test): 650 °C
- resistance to ageing according to Italian Standard CEI 23-48: 7 day at 70 °C
- resistance to heat: ball-pressure test according to CEI 23-48: 70 °C

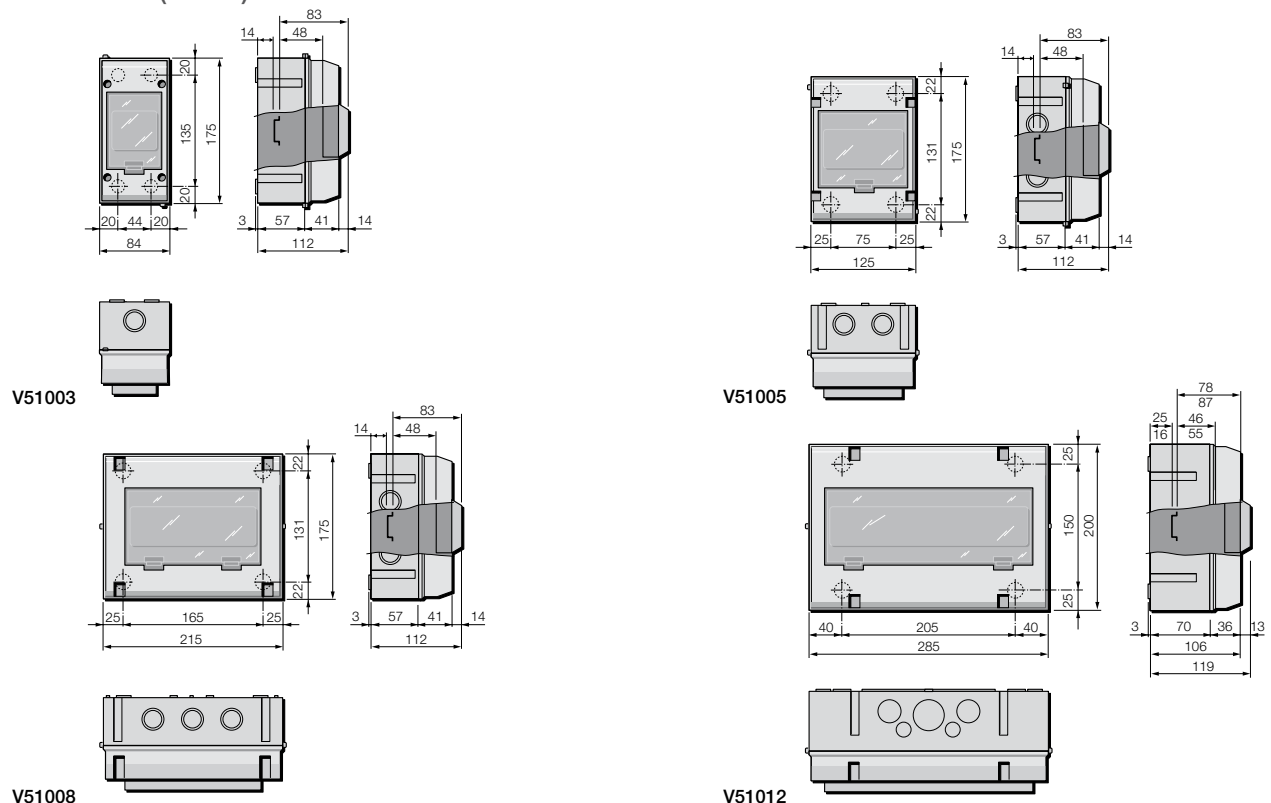
- temperature during installation: -15 °C - +60 °C
- max dissapable power:
 - V51005: 12 W
 - V51008: 21 W
 - V51012: 26 W

Conformity to Standards

LV Directive
CEI 23-48 (IEC 60670), CEI 23-49 Standards



Dimensions (in mm)



IP55 consumer units

IP55 surface mounting consumer unit

- V51003** Surface mounting consumer unit with horizontally hinged transparent door, 3 (1+2) modules, RAL 7035 grey.
- Delivered with screwcaps for double insulation
 - Pre-set for 2 supports for earth terminal blocks V51855



V51003

IP55 surface mounting consumer unit

- V51005** Surface mounting consumer unit with horizontally hinged transparent door, 5 (4+1) modules, RAL 7035 grey.
- Delivered with screwcaps for double insulation
 - Pre-set for 2 supports for earth terminal blocks V51853
 - Possibility of adjoining to additional consumer units with joining accessories V51905



V51005

IP55 surface mounting consumer unit

- V51008** Surface mounting consumer unit with horizontally hinged transparent door, 8 modules, RAL 7035 grey.
- Delivered with screwcaps for double insulation
 - Pre-set for 2 supports for earth terminal blocks V51854
 - Possibility of adjoining to additional consumer units with joining accessories V51905



V51008

IP55 surface mounting consumer unit

- V51012** Surface mounting consumer unit with horizontally hinged transparent door, 12+1 modules, RAL 7035 grey.
- Delivered with screwcaps for double insulation
 - Pre-set for 2 supports for earth terminal blocks V51854
 - Possibility of adjoining to additional consumer units with joining accessories V51905



V51012

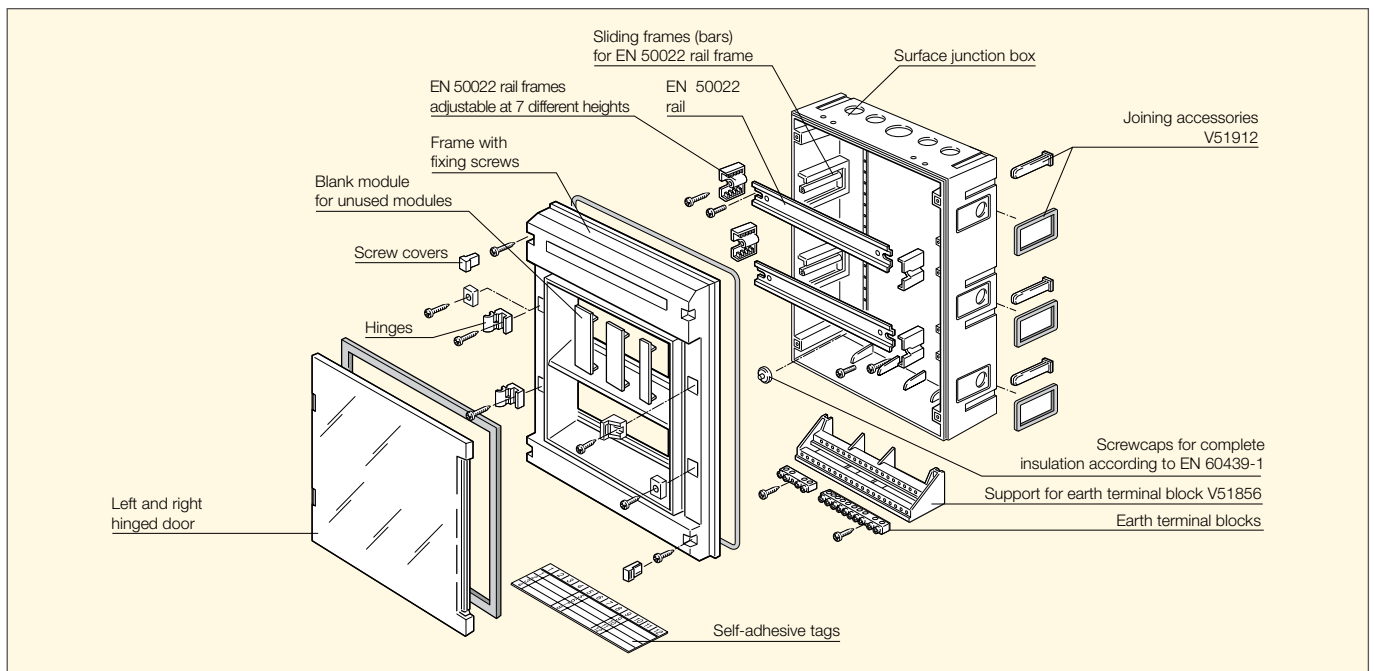
IP55 consumer units - TECHNICAL CHARACTERISTICS

Technical specifications

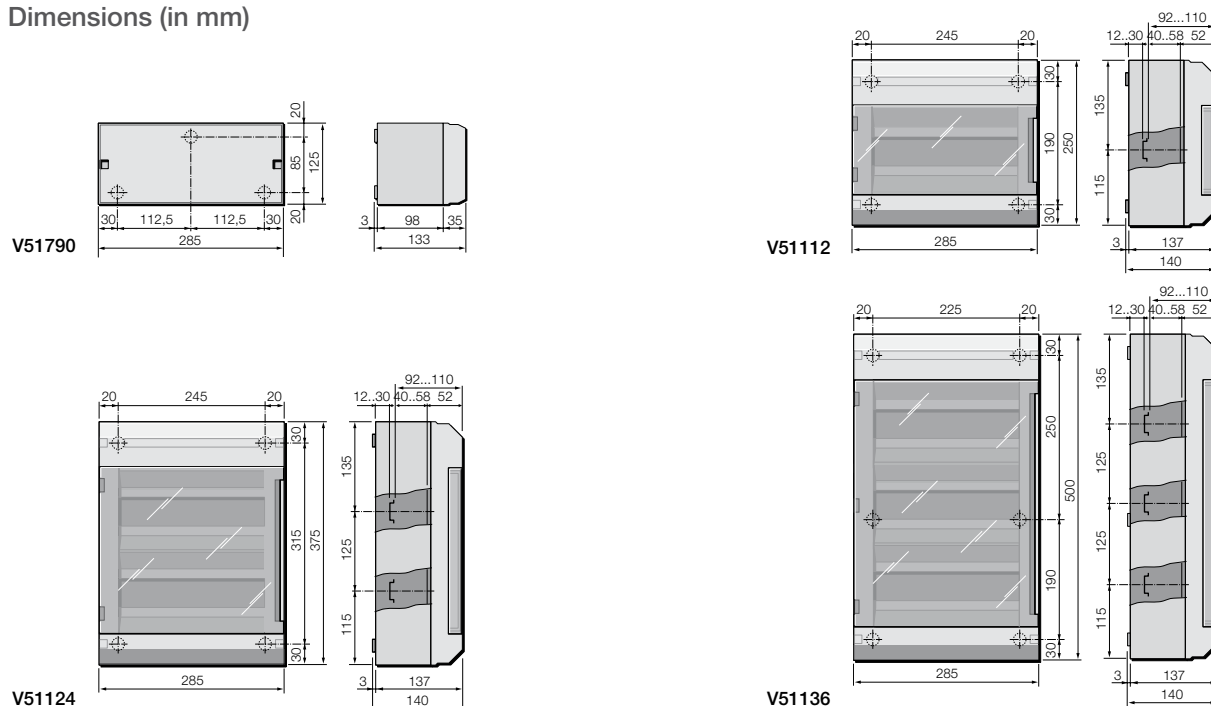
- polycarbonate transparent door, left or right hinged
- EN 50022 rail adjustable at 7 different heights, up to upper box level, patented, to ease cabling
- possibility of horizontal and vertical adjoining to additional consumer units of use with cable entry box V51790
- pre-set for terminal blocks and support for terminal blocks
- protection degree (EN 60529): IP55
- resistance to abnormal heat and to fire (Glow Wire test): 650 °C
- resistance to ageing according to Italian Standards CEI 23-48: 7 days at 70 °
- resistance to heat: ball-pressure according to Italian Standards CEI 23-48: 70 °C
- temperature during installation: -15 °C - +60 °C
- max dissipable power:
 - V51112: 21 W
 - V51124: 27 W
 - V51136: 32 W

Conformity to Standards

LV Directive
CEI 23-48 (IEC 60670), CEI 23-49 Standards



Dimensions (in mm)



IP55 consumer units

IP55 surface mounting consumer unit

- V51112** Surface mounting consumer unit with vertically hinged transparent door, 12 modules, RAL 7035 grey.
- Adjustable EN 50022 rail to accommodate non-standard products
 - Screwcaps for double insulation
 - Pre-set for support for earth terminal block V51856
 - It can be used with cable entry box V51790 and adjoined to additional consumer units with joining accessories V51905 or V51912



V51112

IP55 surface mounting consumer unit

- V51124** Surface mounting consumer unit with vertically hinged transparent door, 24 modules, RAL 7035 grey.
- Adjustable EN 50022 rail to accommodate non-standard products
 - Screwcaps for double insulation
 - Pre-set for support for earth terminal block V51856
 - It can be used with cable entry box V51790 and adjoined to additional consumer units with joining accessories V51905 or V51912



V51124

IP55 surface mounting consumer unit

- V51136** Surface mounting consumer unit with vertically hinged transparent door, 36 modules, RAL 7035 grey.
- Adjustable EN 50022 rail to accommodate non-standard products
 - Screwcaps for double insulation
 - Pre-set for support for earth terminal block V51856
 - It can be used with cable entry box V51790 and adjoined to additional consumer units with joining accessories V51905 or V51912



V51136

Accessories

- V51790** Auxiliary cable entry box with cover, RAL 7035 grey. For use with consumer units V51112, V51124 and V51136.
Delivered with dovetail joints, screws and screwcaps for double insulation
- V51901** Dovetail joint for adjoining accommodation of consumer units and auxiliary cable entry box V51790, RAL 7035 grey
- V51905** Joining accessories for consumer units with PG16 cut-outs (2 seals + 2 joints)
- V51912** Lateral joining accessories for consumer units with rectangular cut-outs (4 seals + 6 joints)
- V51999** Blank module for flush and surface consumer unit, 4,5 divisible modules, RAL 7035 grey
- V51999.B** As above, RAL 9003 white



V51790



V51912



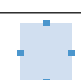
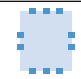
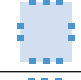
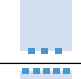
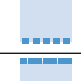
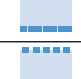
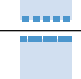
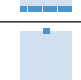
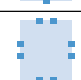
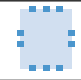
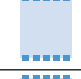


V51905



V51999.B

Accessories for consumer units

Number and type of knockouts on surface consumer units

Article	ø opening (mm)	19	20	23	29	37	16 or 25	20 or 32	25 or 32	32 or 40	23 or 29	29 or 37	Knockout positions
		PG cut-outs	11	13,5	16	21	29	---	---	---	---	16 or 21	
V50002	front and back	---	---	n°2	---	---	---	---	---	---	---	---	
V50004	sides	---	---	n°2	---	---	---	---	---	---	---	---	
V50006	front and back	---	---	---	---	---	---	n° 6	---	---	---	---	
	sides	---	---	---	---	---	---	n° 4	---	---	---	---	
V50008	front and back	---	---	---	---	---	---	n° 4	---	n° 2	---	---	
	sides	---	---	---	---	---	---	n° 4	---	---	---	---	
V50405	front and back	---	n° 4	---	---	---	---	---	---	---	n° 2	---	
	sides	---	---	---	---	---	---	---	---	---	---	---	
V50408	front and back	---	n° 4	n° 4	---	---	---	---	---	---	n° 2	---	
	sides	---	---	---	---	---	---	---	---	---	---	---	
V50412	front and back	---	n° 8	---	---	---	---	---	---	---	n° 4	n° 2	
	sides	---	---	---	---	---	---	---	---	---	---	---	
V50424	front and back	---	---	---	---	---	n° 4	n° 4	n° 2	---	---	---	
	sides	---	---	---	---	---	---	---	---	---	---	---	
V50436	front and back	---	---	---	---	---	n° 4	n° 4	n° 2	---	n° 4	---	
	sides	---	---	---	---	---	---	---	---	---	---	---	
V51003	front and back	---	---	---	---	---	---	---	---	---	n° 2	---	
	sides	---	---	---	---	---	---	---	---	---	---	---	
V51005	front and back	---	---	---	---	---	---	---	---	---	n° 4	---	
	sides	---	---	---	---	---	---	---	---	---	n° 4	---	
V51008	front and back	---	---	---	---	---	---	---	---	---	n° 6	---	
	sides	---	---	---	---	---	---	---	---	---	n° 4	---	
V51012	front and back	n° 4	---	---	n° 4	n° 2	---	---	---	---	---	---	
	sides	---	---	---	---	---	---	---	---	---	---	---	
V51112	front and back	---	---	---	---	---	---	---	---	---	n° 8	n° 2	
	sides	---	---	n° 4	---	---	---	---	---	---	---	---	

Note: no knockouts on surface consumer units without door

Supports for earth terminal blocks

Technical specifications

- polycarbonate GW 960 °C
- supplied with fixing screws

Earth terminal blocks

Technical specifications

- brass
- supplied with fixing screws

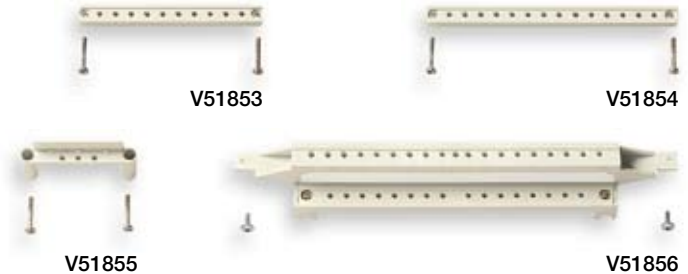
Supports for earth terminal blocks and accepted earth terminal blocks

Article	Pre-set consumer unit	nr support for earth terminal block per consumer unit	Earth terminal blocks accepted by the support
V51853	V51005	2	(1xV51814) or (1 from V51804 to V51808 + 1 from V51804)
V51854	V51008	2	(1xV51816) or (1 from V51804 to V51814 + 1 from V51804)
	V51012	2	(1xV51816) or (1 from V51804 to V51814 + 1 from V51804)
V51855	V51003	2	(1 from V51804 to V51808)
V51856	V51112	1	(2xV51816) + (2 from V51804 to V51808)
	V51124	1	(2xV51816) + (2 from V51804 to V51808)
	V51136	2	(2xV51816) + (2 from V51804 to V51808)
V51859	V50305 - V50405	1	(2xV51804) or (1 from V51804 to V51812)
V51860	V50308 - V50408	1	(2xV51804) or (1 from V51804 to V51812)
V51861	V50312 - V50412	1	(2xV51804) or (1 from V51804 to V51816)
V51862	V50324 - V50424	1	(2 from V51804 to V51808) or (1 from V51804 to V51816)
	V50336 - V50436	1	(2 from V51804 to V51808) or (1 from V51804 to V51816)
V51863	V52424	1	(2 from V51804 to V51808) or (1 from V51804 to V51816)
	V52436	1	(2 from V51804 to V51808) or (1 from V51804 to V51816)

Accessories for consumer units

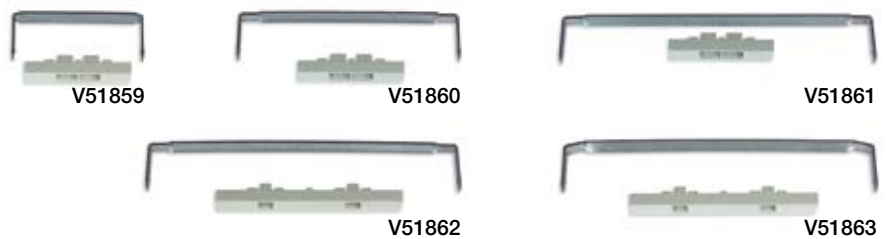
Support for earth terminal blocks

V51853	Polycarbonate support for earth terminal block, with fixing screws, for V51005. To be completed with earth terminal block
V51854	Polycarbonate support for earth terminal block, with fixing screws, for V51008 and V51012. To be completed with earth terminal block
V51855	Polycarbonate support for earth terminal block, with fixing screws, for V51003. To be completed with earth terminal block
V51856	Polycarbonate support for earth terminal block, with fixing screws, for V50124, V50136, V50224, V50236, V51112, V51124 and V51136. To be completed with earth terminal block



Fixing bracket for earth terminal blocks

V51859	Fixing bracket for earth terminal block for V50305 and V50405. Joint fixing. To be completed with earth terminal block
V51860	Fixing bracket for earth terminal block for V50308 and V50408. Joint fixing. To be completed with earth terminal block
V51861	Fixing bracket for earth terminal block for V50312 and V50412. Joint fixing. To be completed with earth terminal block
V51862	Fixing bracket for earth terminal block for V50324, V50336, V50436 e V50424. Joint fixing. To be completed with earth terminal block
V51863	Fixing bracket for earth terminal block for V52424 and V52436. Joint fixing. To be completed with earth terminal block



Earth terminal blocks

V51804	Brass earth terminal block, 4 ø 6 mm terminals, with fixing screws
V51808	Brass earth terminal block, 2 ø 6 mm terminals + 6 ø 4 mm terminals, with fixing screws
V51810	Brass earth terminal block, 2 ø 6 mm terminals + 8 ø 4 mm terminals, with fixing screws



Earth terminal blocks

V51812	Brass earth terminal block, 2 ø 6 mm terminals + 10 ø 4 mm terminals, with fixing screws
V51814	Brass earth terminal block, 2 ø 6 mm terminals + 12 ø 4 mm terminals, with fixing screws
V51816	Brass earth terminal block, 4 ø 6 mm terminals + 13 ø 4 mm terminals, with fixing screws

