

## Comfort - TECHNICAL CHARACTERISTICS

### Programmable timer-switch

#### Scope

Automatic switching on and off at preset time, with 24 hour/7 day programs, of electrical loads, suitable or heating and air-conditioning installations, irrigation systems, indoor and outdoor lighting, etc.

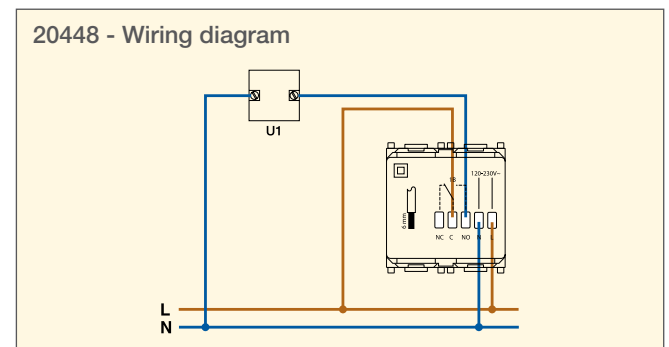
#### Technical specifications

- supply voltage: 120-230 V~
- clock backup battery duration: 1 month, through rechargeable lithium buffer battery
- max. absorption: 1 W
- output: 8 A 230 V~ change-over relay (with resistive load)
- controllable loads:
  - resistive loads  $\sim$ : 8 A
  - incandescent lamps  $\star$ : 800 W
  - magnetic core transformers for extra low voltage incandescent lamps (e.g. halogen lamps)  $\square$ : 800 W
- timed back-lit display, activated by pressing one of the 4 frontal push buttons
- multilanguage menu (Italian/English/French/Spanish/German)
- number of switch events: max 35 per day (for max of 245 switch events per week)
- min. duration of each switch event: 1 minute

- programs:
  - 2 programs configurable by the user (daily/weekly)
  - 1 cyclic and 1 simple program (1 switch event per day)
- button lockout function with 3-digit PIN number to prevent unauthorised access to all device functions and programs (e.g. when installed in a public place);

#### Conformity to Standards

LV Directive  
EMC Directive  
EN 60730-1, EN 60730-2-7 Standards



### Alarm clock

#### Scope

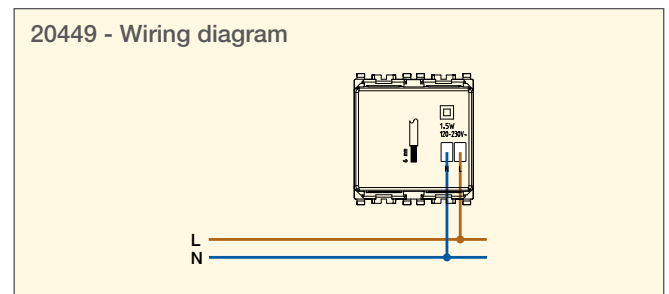
Device with built-in calendar and thermometer, suitable for installation near beds in residential and possibility of installation in normal flush mounting boxes.

#### Technical specifications

- supply voltage: 120-230 V~
- absorption: 1,5 W
- charge reserve for clock: average 20 days, through rechargeable lithium buffer battery
- timed back-lit display, activated by pressing one of the 4 frontal push buttons
- clock function
- 3 alarm sound available
- thermometer with °C degrees function
- operating temperature: 0 °C +40 °C
- multilanguage menu (Italian/English/French/Spanish/German)
- clock error  $\leq \pm 3$  s per day

#### Conformity to Standards

LV Directive  
EN 60065 Standard  
EMC Directive  
EN 61000-6-1, EN 61000-6-3 Standards



### Timer-switch

**20448** .B .N Electronic daily/weekly programmable timer-switch, 8 A 230 V~ change-over relay output, supply voltage 120-230 V~ 50-60 Hz - 2 modules



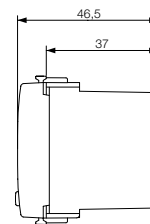
**20448**  
grey



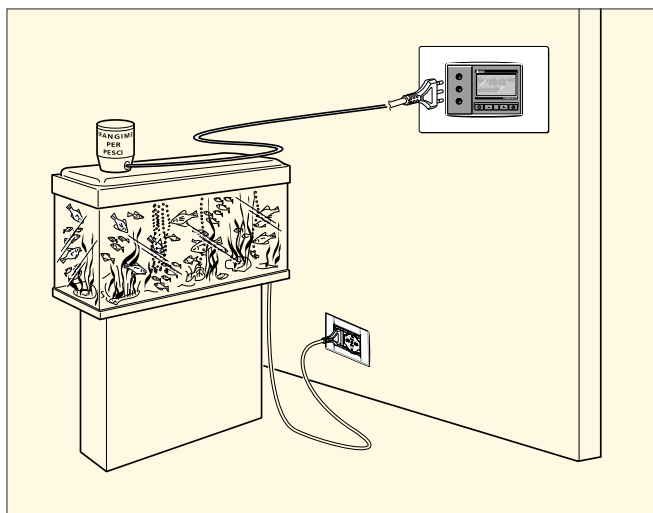
**20448.B**  
white



**20448.N**  
Next



### 20448 - Example of use



### Alarm clock

**20449** .B .N Electronic alarm clock, supply voltage 120-230 V~ 50-60 Hz - 2 modules



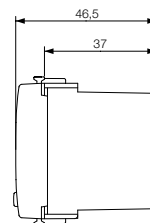
**20449**  
grey



**20449.B**  
white



**20449.N**  
Next



### 20449 - Example of use

