

## Comfort - TECHNICAL CHARACTERISTICS

### Electronic thermostat for service sector

#### Scope

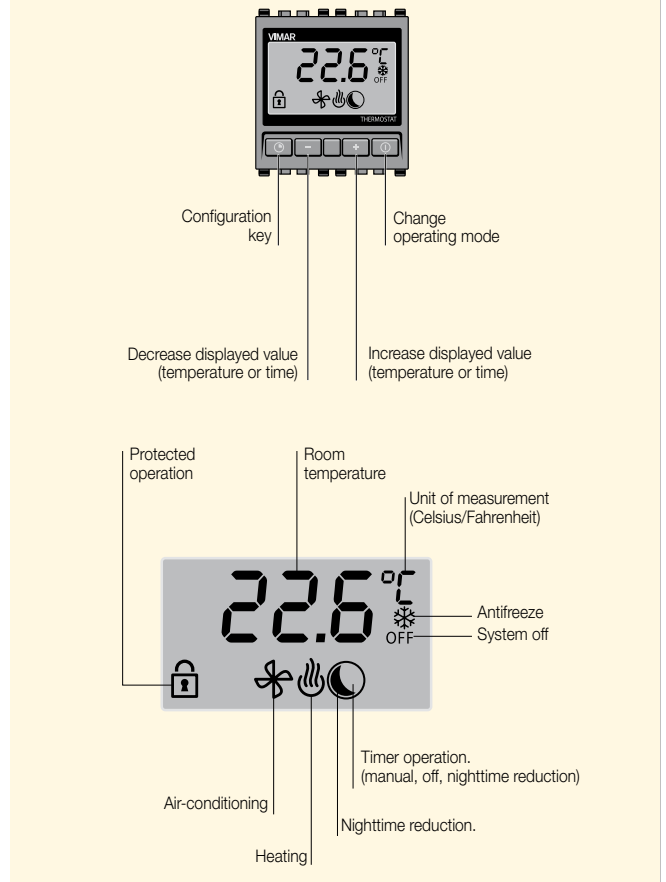
Suitable for the control of ambient temperature (heating and air conditioning) through action on supply circuit of burners or of water circulation pumps (heating) or on the air-conditioners supply circuit (air conditioning). The programming is simple and intuitive assisted by interactive menus (all instructions shown on the display), using the 4 buttons on the front.

With the remote controls it is possible to centralize the summer/winter function and temperature reduction. (i.e. hotel, office with control from the reception or technical room).

#### Technical specifications

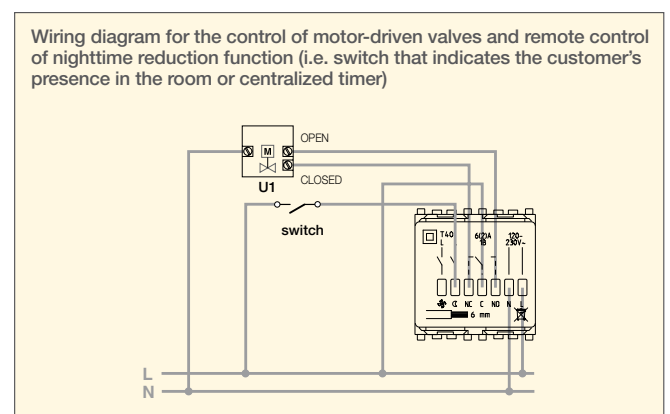
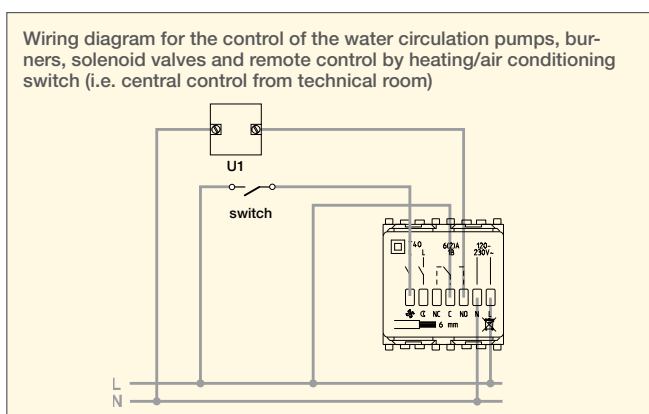
- Supply voltage: 120-230 V~ 50-60 Hz
- Output: relay with 6(2) A 250 V~ clean change-over contact.
- Max input: 1 VA.
- Adjustment type: ON/OFF.
- Displayed temperature update: every 30 s.
- Room temperature display: 0 °C +40 °C.
- Reading accuracy:
  - $\leq \pm 0,5$  °C between +15 °C and +30 °C;
  - $\leq \pm 0,8$  °C at the extremes.
- Adjustment range:
  - +0 °C - +15 °C on antifreeze;
  - +5 °C - +35 °C on heating or air conditioning.
- Temperature differential: adjustable from 0.1 °C to 1 °C.
- Reading resolution: 0.1 °C.
- Settings resolution: 0.1 °C.
- Main functions:
  - selection from 3 temperature levels: comfort, reduced, anti-freeze;
  - possibility of selecting timed reduced temperature;
  - possibility of turning off or turning off with timer;
  - remote control of the heating/air-conditioning function;
  - remote control of the reduction function;
  - display in degrees Celsius or Fahrenheit;
  - saving all the settings;
  - possibility of entering password with 3-digit PIN to block access to the configuration menu.
- Operating temperature: T40 (0 °C +40 °C).
- Software class: A.

#### Front view



#### Conformity to Standards

- LV Directive
- EMC Directive
- EN 60730-1, EN 60730-2-9 Standards



### Electronic thermostat for service sector

**20441 .B .N** Electronic thermostat for ambient temperature control (heating and air conditioning), service sector use, 'energy saving' and heating /air-conditioning switching remote control outputs, 6(2) A 230 V~ change-over relay output, supply voltage 120-230 V~ 50-60 Hz - 2 modules



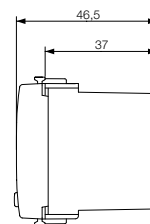
20441  
grey



20441.B  
white



20441.N  
Next



### 20441 - Example of use in hotel setting

