

Comfort - TECHNICAL CHARACTERISTICS

Electronic thermostat for residential sector

Scope

Suitable for the control of ambient temperature (heating and air conditioning) through action on supply circuit of burners or of water circulation pumps (heating) or on the air-conditioners supply circuit (air conditioning). The programming is simple and intuitive assisted by interactive menus (all instructions shown on the display), using the 4 buttons on the front.

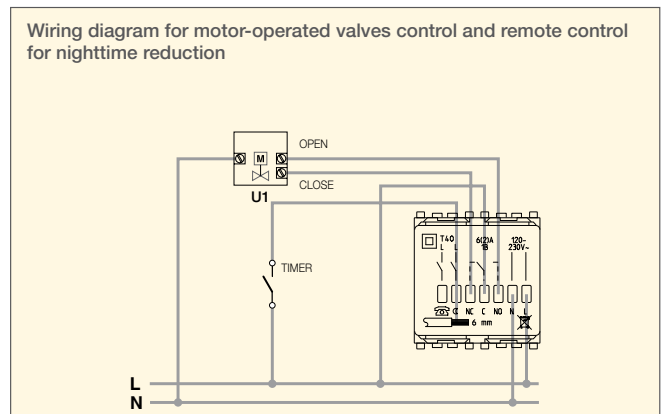
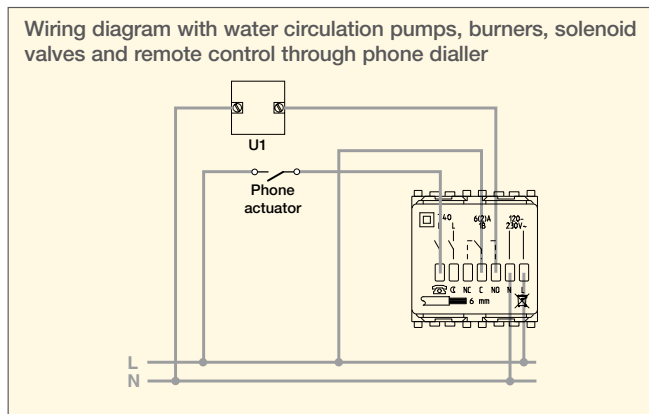
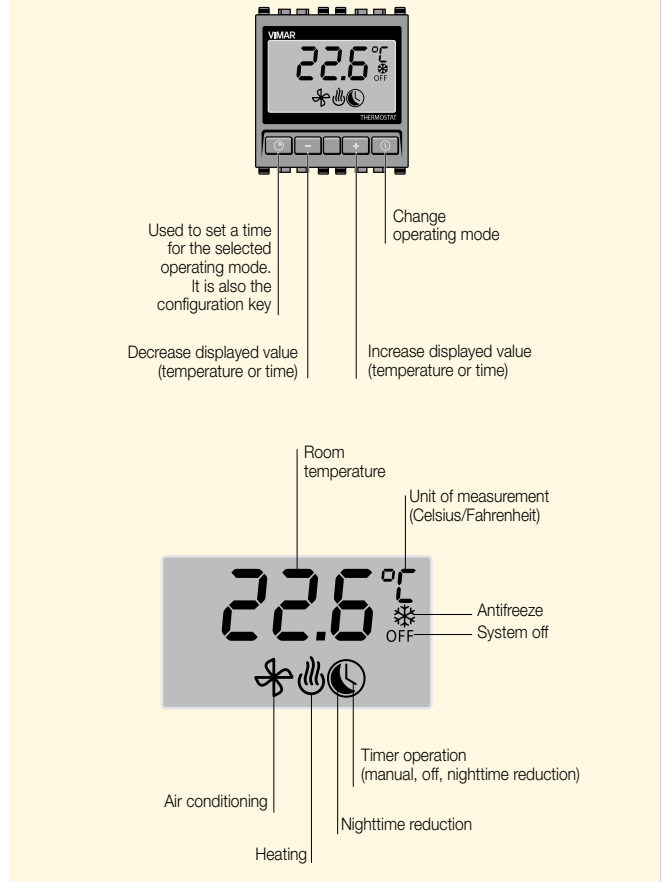
Technical specifications

- Supply voltage: 120-230 V~ 50-60 Hz.
- Max. input: 1 VA.
- Output: relay with 6(2) A 250 V~ clean change-over contact
- Adjustment type: ON/OFF.
- Displayed temperature update: every 30 s.
- Room temperature display: 0 °C +40 °C.
- Reading accuracy:
 - $\leq \pm 0,5$ °C between +15 °C and +30 °C.
 - $\leq \pm 0,8$ °C at the extremes.
- Adjustment range:
 - +0 °C - +15 °C on antifreeze.
 - +5 °C - +35 °C on heating or air conditioning.
- Temperature differential: adjustable from 0.1 °C to 1 °C.
- Reading resolution: 0.1 °C.
- Settings resolution: 0.1 °C.
- Main functions:
 - selection from 3 temperature levels: comfort, reduced, anti-freeze;
 - possibility of selecting timed reduced temperature;
 - possibility of turning off or turning off with timer;
 - setting between heating and air conditioning;
 - turning on and off with a phone dialler;
 - forcing nighttime reduction with remote control;
 - display in degrees Celsius or Fahrenheit;
 - saving all the settings (10 years).
- Operating temperature: T40 (0 °C +40 °C)
- Software class: A

Conformity to Standards

LV Directive
EMC Directive
EN 60730-1, EN 60730-2-9 Standards

Front view



Electronic thermostat for residential sector

20440 .B .N Electronic thermostat for ambient temperature control (heating and air-conditioning), residential sector use, 'energy saving' and ON/OFF status remote control outputs by phone dialler, 6(2) A 230 V~ change-over relay output, supply voltage 120-230 V~ 50-60 Hz - 2 modules



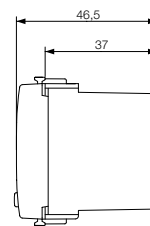
20440
grey



20440.B
white



20440.N
Next



20440 - Example of use

