

Detection - TECHNICAL CHARACTERISTICS

CO detectors

Scope

Devices suitable for:

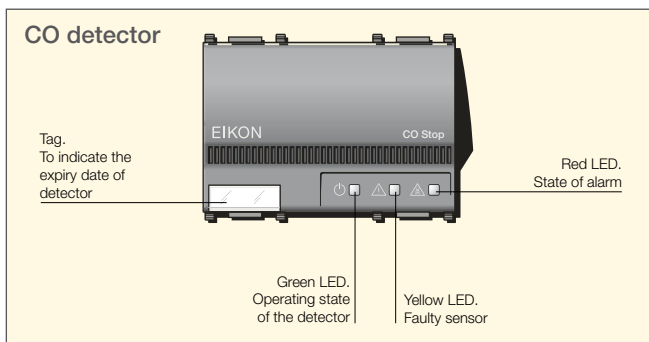
- detection in the environment of an abnormal concentration of carbon monoxide (CO) in quantities much lower than those generally accepted as the danger threshold
- operating on the solenoid valve intercepting the gas and/or exhaust fans or ventilators, stopping the abnormal combustion producing CO
- It signals that a leak has been detected and that the gas has been switched off, by means of optical (LED) and acoustic (buzzer) warnings.

Conformity to Standards

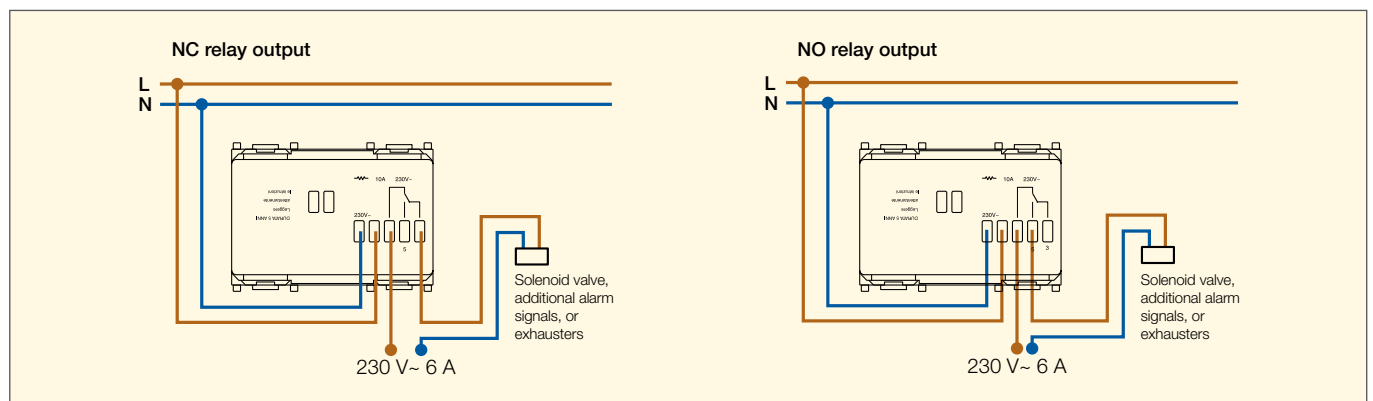
LV Directive
EMC Directive
EN UNI 70032 Standard

Technical specifications

- supply voltage: 230 V~
- sensitive element: tin dioxide semiconductor
- setting: sealed with thermal compensation
- setting threshold:
 - 100 ppm for at least 15 minutes
 - 300 ppm for at least 15 seconds
 Once activated, the alarm remains in operation for concentrations of carbon monoxide (CO) exceeding 100 ppm
- terminals **L - N**: supply voltage 230 V~ ±10% 50-60 Hz
- terminals **NO - C - NC**: clean contact changeover output relay for connection to additional alarms and solenoid valves, (terminals **NC - C** if normally closed; terminals **C - NO** if normally open):
 - **NO** 5 A 230 V~
 - **NC** 2 A 230 V~
- operating signals:
 - acoustic, through piezoelectric buzzer: 85 dB at 1 m
 - optical, through frontal LED (green ◯, yellow △, red ▲)
- useful life of the detector to indicate on the signalling tag: 5 years from the date of installation
- protection degree: IP40
- operating temperature: -10 °C - +40 °C
- allowed relative humidity: 90% max without condensation
- self-extinguish polycarbonate enclosure



Wiring diagram with solenoid valve or additional alarm signals



CO detector

20422	.B	.N	CO Stop, electronic carbon monoxide (CO) detector with acoustic and optical signals, 6 A 230 V~ change-over relay output, supply voltage 230 V~ 50-60 Hz - 3 modules
--------------	-----------	-----------	--



20422
grey



20422.B
white



20422.N
Next

