

## Acoustic and optical signalling - TECHNICAL CHARACTERISTICS

### TORCIA, portable hand lamps

Miniaturized electronic device sized 2 modules, formed by a fixed charge part and a removable part.

Two possibilities of use:

- as auxiliary lighting in case of mains failure, when inserted into the charging socket
- as ordinary rechargeable hand lamp, when removed from the socket outlet.

### Technical specifications

- supply voltage:
  - 20395: 230 V~
  - 20396: 120 V~
- rechargeable and replaceable battery: 4-element Ni-MH 4,8 V 80 mAh
- battery recharging time: 48 h
- LED appliance class: 1M
- operating range after recharge: 2 h approximately
- white high-efficiency LED with built-in narrow angle lens; d.c. voltage ensures a constant output for the duration of the charge
- slide switch to light on and off the TORCIA when used as a portable lamp or to connect and disconnect the auxiliary lighting function
- amber LED to indicate the auxiliary lighting function status.
- anti-removal possibility: with the screw provided, which must be inserted from reverse side of the recharging socket and tightened fully;
- it should be used in dry, dust-free places at a temperature between 0° C and +40° C

### Operating

The electronic TORCIA inserted into the charging socket operates as auxiliary lighting in case of blackout.

Charging can take place as follow:

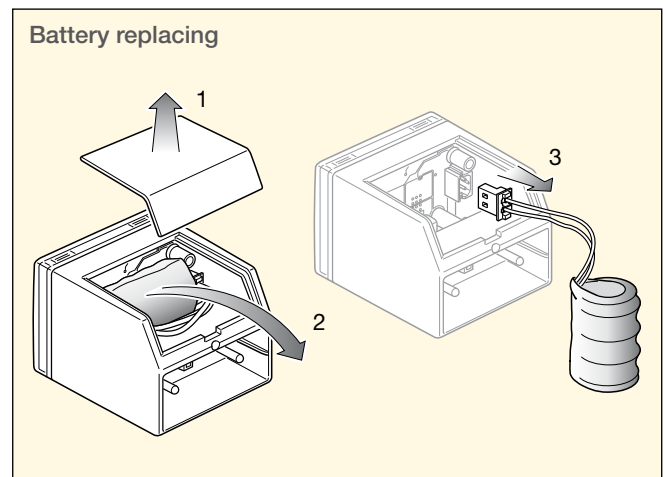
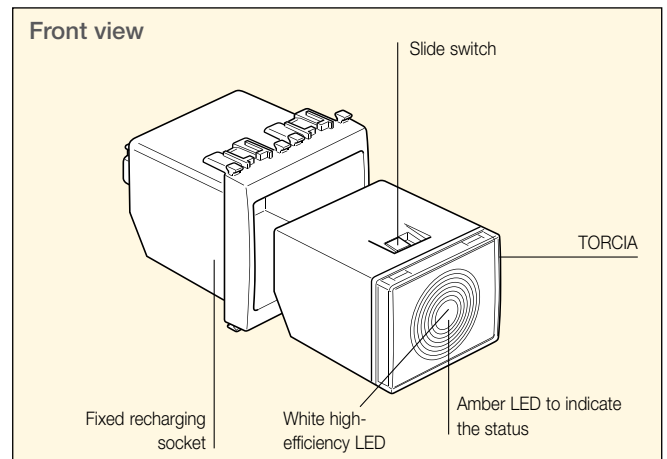
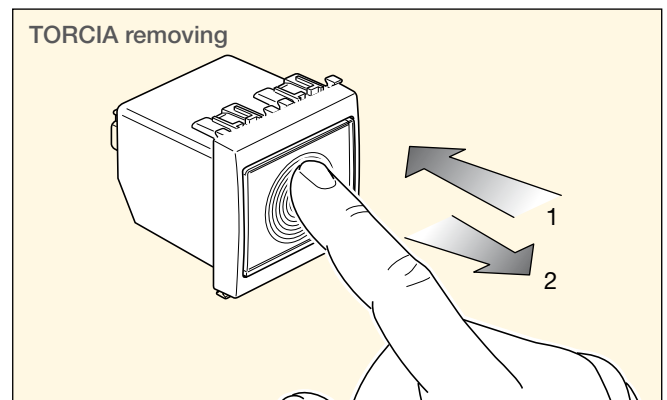
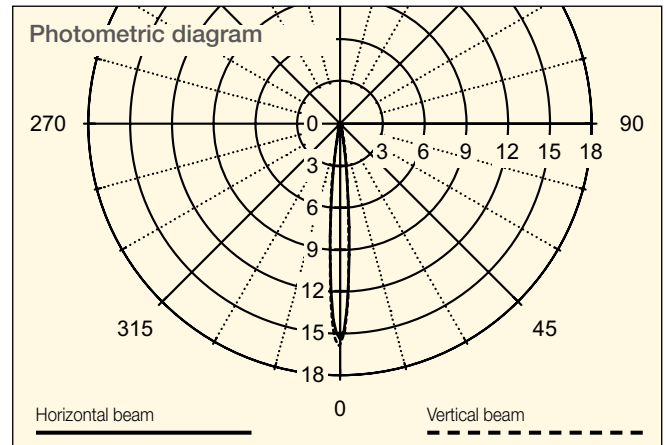
- charging with auxiliary lighting function switched off: slide switch in position "0" and amber LED off; with no mains power the TORCIA remains switched off;
- charging with auxiliary lighting function switched on: slide switch in position "1" and amber LED on: with no mains power the TORCIA switches on and, when mains power comes back on, it will automatically switch off.

The TORCIA is removed from the charging socket as follow:

- lightly press the front of the device and then release immediately.
- remove the TORCIA by hand.

### Conformity to Standards

LV Directive  
 EN 60598-1, EN 60598-2-2, EN 60825-1 Standards  
 EMC Directive  
 EN 61547, EN 61000-3-2, EN 61000-3-3,  
 EN 55015 Standards



## Acoustic and optical signalling

### TORCIA, portable hand lamp 230 V~

**20395** .B .N TORCIA, electronic hand lamp with high-efficiency LED, supply voltage 230 V~ 50-60 Hz, automatic emergency device, rechargeable and replaceable Ni-MH battery, 2 hours of operating range - 2 modules.  
Not suitable for installation in Isoset IP44 and IP55 enclosures



### TORCIA, portable hand lamp 120 V~

**20396** .B .N TORCIA, electronic hand lamp with high-efficiency LED, supply voltage 120 V~ 50-60 Hz, automatic emergency device, rechargeable and replaceable Ni-MH battery, 2 hours of operating range - 2 modules.  
Not suitable for installation in Isoset IP44 and IP55 enclosures



### Rechargeable battery

**00910** Ni-MH 4,8 V 80 mAh rechargeable battery, spare part for TORCIA

