

Acoustic and optical signalling - TECHNICAL CHARACTERISTICS

Lighting fitting with LED

Scope

- Localized lighting of floors, steps, stairs.
- bed-head courtesy light

Technical specifications

- supply voltage: 120 - 230 V~
- 3 white high-efficiency LED with built-in lens
- luminous flux: 22 lumen
- absorption: 1,5 W
- high-resistance to impact
- self-extinguishing body
- LED appliance class: 1M (do not stare directly with optical instruments)
- class II appliances
- installable also on normally inflammable surfaces
- not controllable by dimmer

Conformity to Standards

LV Directive
 EN 60598-1, EN 60598-2-2 Standards
 EMC Directive
 EN 61547, EN 61000-3-2, EN 61000-3-3, EN 55015 Standards

Lighting fitting

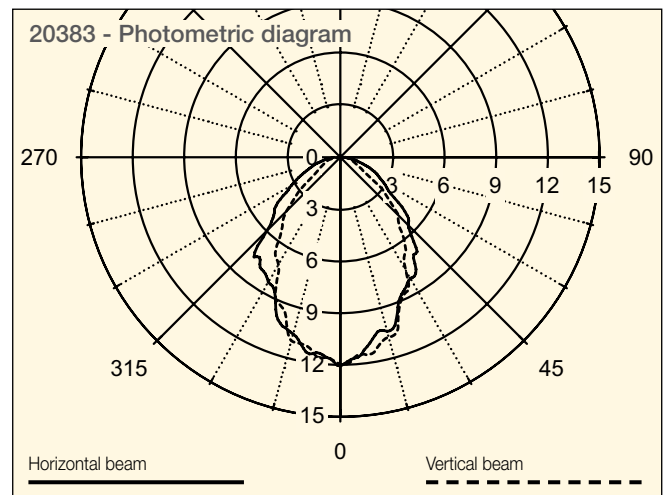
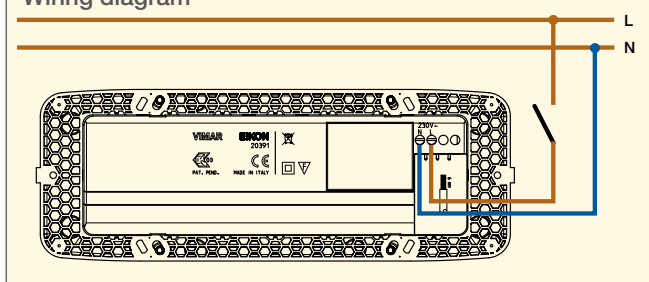
Scope

- lighting of residential and service areas, used as step marker lamp, under-shelf lighting, courtesy and night lights, etc.
- lighting of arcades, garages, cellars, containers, etc

Technical specifications

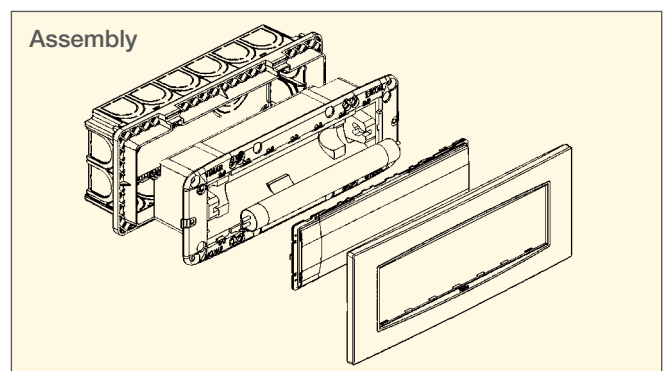
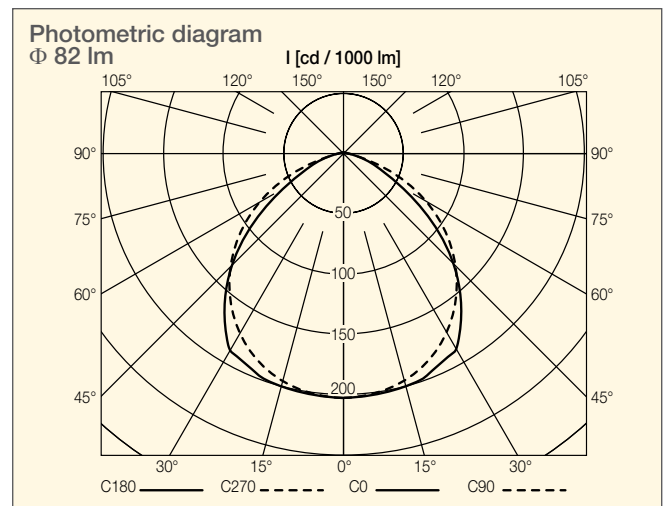
- supply voltage: 230 V~
- lamp: FD 4W G5 4300K 140 lm
- luminous flux Φ : 82 lumen
- absorption: 6,9 W
- lamp operating frequency: 30 kHz
- electronic ballast
- built-in 7-module mounting frame
- self-extinguishing body
- resistance to frontal impact: 6,5 J
- installable on 6/7-module V71306, V71306.AU and V71616 mounting boxes or by main manufacturers
- installable at a height of 2,2 m and 20 cm from the floor level
- not controllable by dimmer
- protection degree: IP40 (IP20 in hollow walls)
- class II
- installable also on normally flammable surfaces

Wiring diagram



Conformity to Standards

LV Directive
 EN 60598-1, EN 60598-2-2 Standards
 EMC Directive
 EN 61547, EN 61000-3-2, EN 61000-3-3, EN 55015 Standards



Acoustic and optical signalling

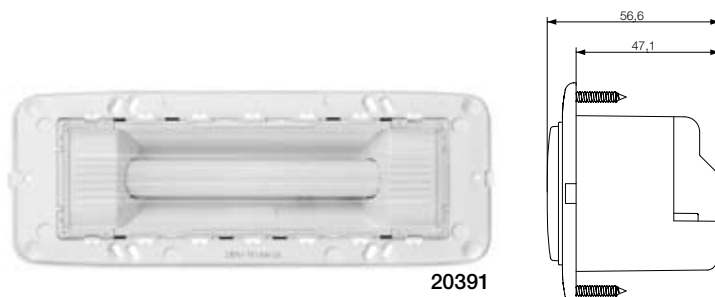
Lighting fitting with LED

20383 .B .N Lighting fitting with high-efficiency LED, supply voltage 120-230 V~ 50-60 Hz - 3 modules

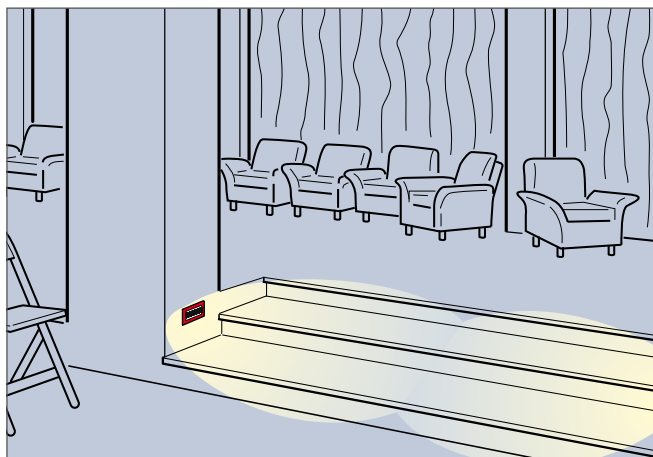


Lighting fitting

20391 Lighting fitting, supply voltage 230 V~ 50-60 Hz, FD 4W G5 fluorescent lamp and built-in mounting frame for 6/7-module mounting boxes. To be completed with 7-module cover plate



20383 - Example of use



20391 - Example of use

