

## Acoustic and optical signalling - TECHNICAL CHARACTERISTICS

### 20382 - Emergency lighting fitting

#### Scope

Independent emergency lighting for residential and service areas; it lights on when the power is cut. In the event of a black-out, it can also be used to light dangerous areas (stairs, angles, etc.) and obstacles.

Suitable for use in:

- homes (entrance, near consumer unit, corridors, stairs)
- offices (meeting rooms, service areas)
- hotels (rooms, corridors, stairs)
- hospitals and clinics (wards, corridors, stairs)

#### Operating

- The lamp performs the function of auxiliary lighting in the event of a mains failure.
- When the mains power returns the lamp will automatically switch off and the amber LED will switch on.
- Battery charging takes place continuously when there is mains voltage.

#### Conformity to Standards

LV Directive

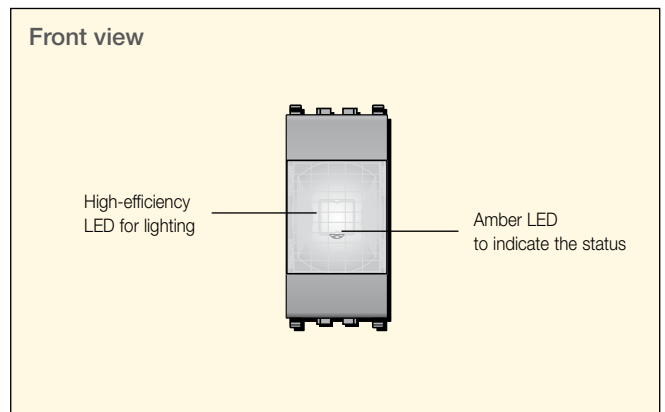
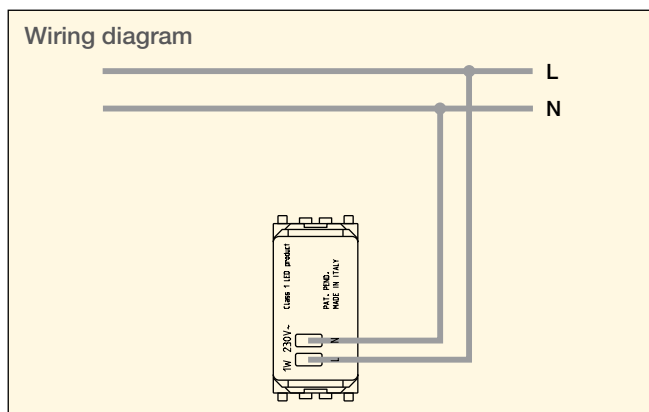
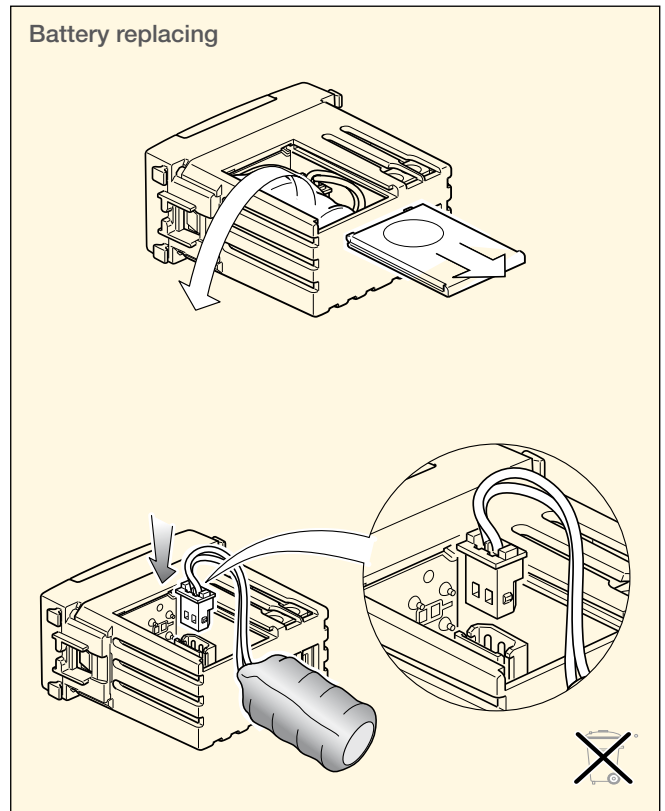
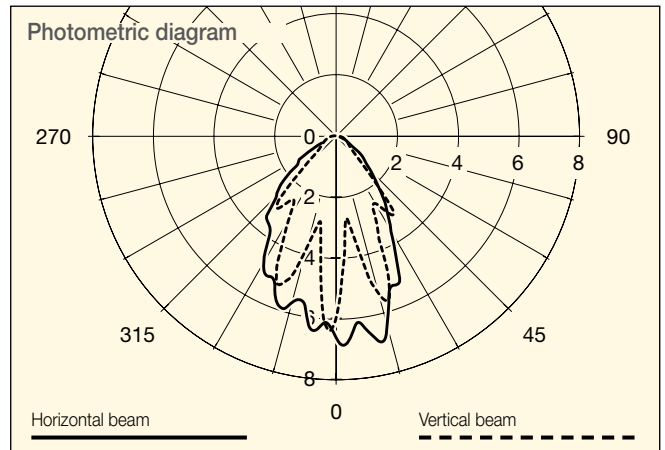
EN 60598, EN 60598-2-2, EN 60825-1 Standards

EMC Directive

EN 61547, EN 61000-3-2, EN 61000-3-3, EN 55015 Standards

#### Technical specifications

- supply voltage: 230 V~ ± 10% 50-60 Hz.
- luminous flux: 3 lumen.
- input: 1 W.
- rechargeable Ni-MH battery 4.8 V, 80 mAh.
- battery charging time: 48 hours.
- operating time: 2 hours.
- LED appliance of class 1.
- white high-efficiency LED and integral narrow angle lens; the constant current supply makes the LED always have the same brightness for the entire duration of the charge.
- amber LED to indicate mains on and battery charging.
- the lamp cannot be controlled with a dimmer.
- appliance of class II .
- can be installed on normally flammable surfaces .



## Acoustic and optical signalling

### Emergency lighting fitting

**20382** .B .N Emergency lighting fitting with high-efficiency LED, supply voltage 230 V~ 50-60 Hz, automatic emergency device, rechargeable and replaceable Ni-MH battery, operating range of 2 hours



**20382**  
grey



**20382.B**  
white



**20382.N**  
Next

