

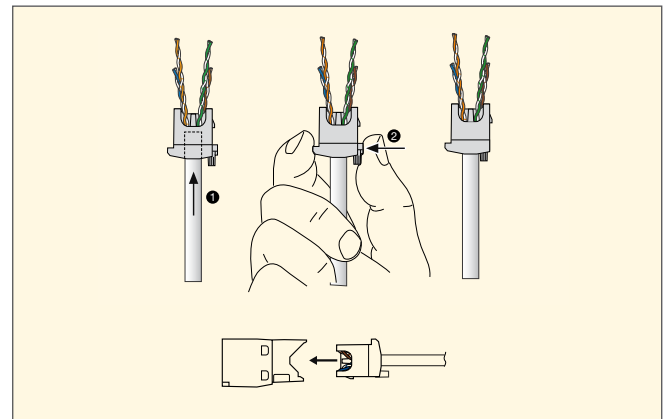
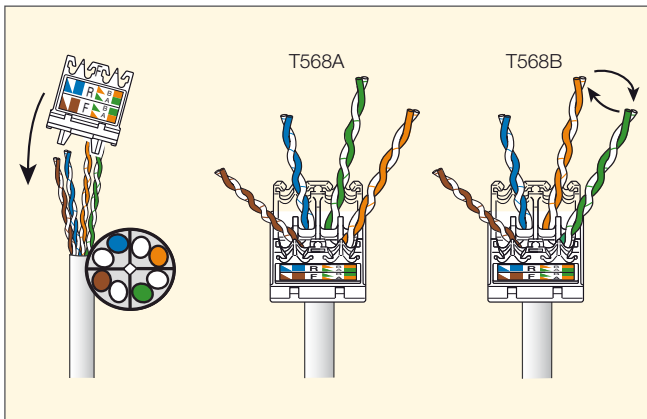
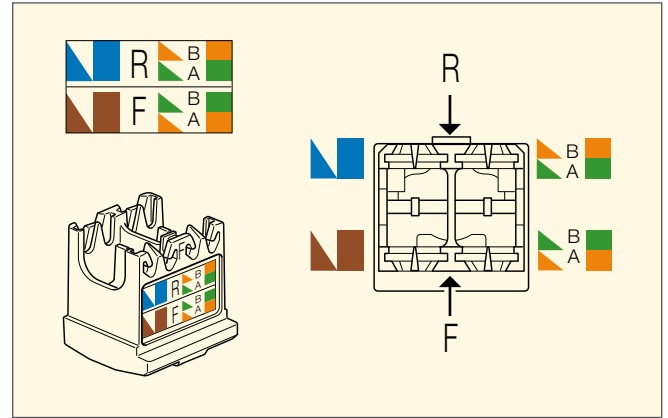
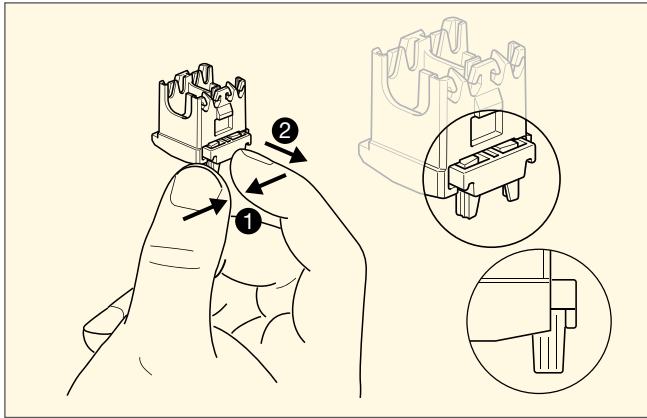
Signal reception socket outlets - TECHNICAL CHARACTERISTICS

EDP socket connectors

Scope

Devices designed to realize information or telephone networks.

20340.1 and 20340.2 cabling code



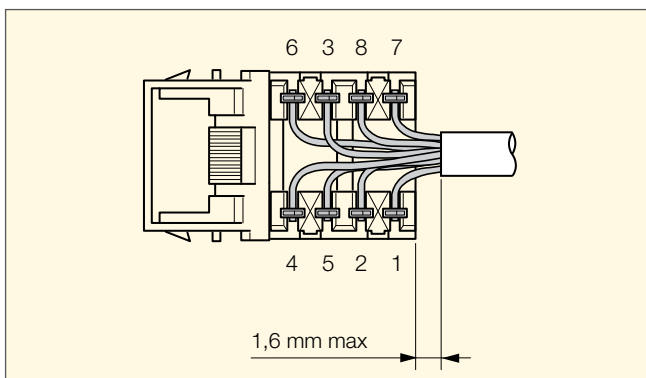
20338.1 cabling code

T568A

- 1: White/Green
- 2: Green
- 3: White/Orange
- 4: Blue
- 5: White/Blue
- 6: Orange
- 7: White/Brown
- 8: Brown

T568B

- 1: White/Orange
- 2: Orange
- 3: White/Green
- 4: Blue
- 5: White/Blue
- 6: Green
- 7: White/Brown
- 8: Brown



Signal reception socket outlets

EDP socket connector

20340.1	.B	.N	RJ45 outlet with Panduit (MINI-COM) connector, Cat. 5e, unshielded, T568A/B universal wiring, 8-contacts, insulation-piercing terminals
20340.2	.B	.N	RJ45 outlet with Panduit (MINI-COM) connector, Cat. 5e, shielded, T568A/B universal wiring, 8-contacts, insulation-piercing terminals



EDP socket connector

20338.1	.B	.N	RJ45 outlet with AT&T/Lucent Technologies Avaya (MPS100E) connector, Cat. 5e, unshielded, T568A/B universal wiring, 8-contact, insulation-piercing terminals
20338.3	.B	.N	RJ45 outlet with AMP/Tyco Toolless Jack connector, Cat. 5e, unshielded, T568A/B universal wiring, 8-contacts, insulation-piercing terminals
20338.4	.B	.N	RJ45 outlet with AMP/Tyco Toolless Jack connector, Cat. 5e, shielded, T568A/B universal wiring, 8-contacts, insulation-piercing terminals

