

Special switches - TECHNICAL CHARACTERISTICS

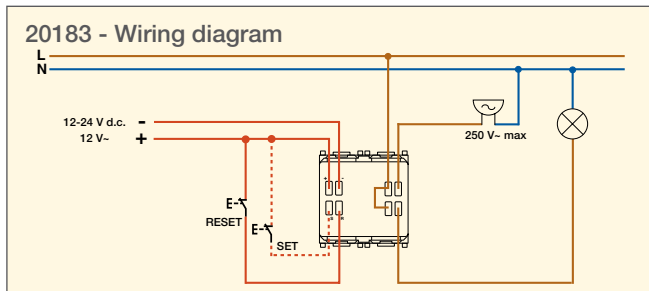
Set/Reset switch

Scope

It makes possible to develop a calling system for hospital (hospitals, rest homes, clinics) or industrial environments (factories, noisy laboratories), combined with remote optical and acoustic signalling functions to satisfy needs for assistance, intervention, emergency, etc.

Conformity to Standards

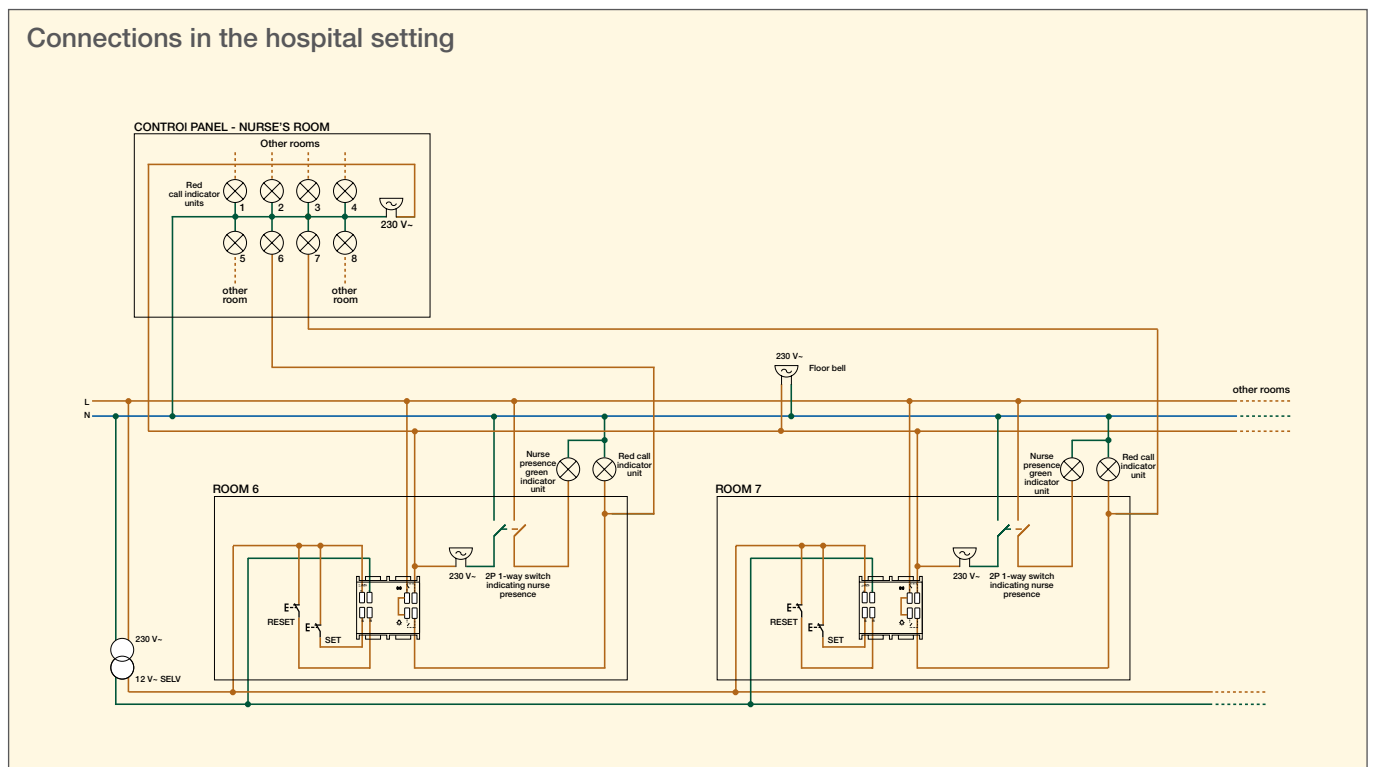
LV Directive
EMC Directive
EN 60669-2-1 Standard



Technical specifications

- supply voltage: 12-24 V d.c. / 12 V~ ±10% 50-60 Hz
- absorption: approximately 100 mA with active RL1 and RL2 alarm outputs
- front switch: SET push button
- two-color LED:
 - green: device supplied and no activated alarm
 - flashing red: alarm activated
- input:
 - normally closed connected to positive (+) terminal for SET function
 - normally closed connected to positive (+) terminal for RESET function
- RL1 alarm output: NO 5 A 250 V~ relay output with double insulation with respect to power supply and push buttons
- RL2 alarm output: NO 5 A 250 V~ relay output with double insulation with respect to power supply and push buttons
- controllable loads:
 - resistive loads I_n : 5 A
 - incandescent lamps \varnothing : 500 W
 - magnetic core transformers for very low voltage incandescent lamps (e.g. halogen lamps) $\square \otimes$: 500 W

Connections in the hospital setting



Special switches

Set/Reset switch

20183 .B .N

SET/RESET switch for emergency call system, visible in darkness, 2 NO 5 A 250 V~ relay outputs for acoustic and optical signals, supply voltage 12 V~ 50-60 Hz or 12-24 V d.c. (SELV) - 2 modules.

SET with built-in push button or from peripheral NC push buttons connected in series. RESET from peripheral NC push buttons connected in series



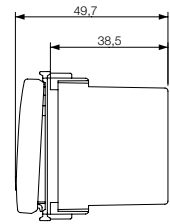
20183
grey



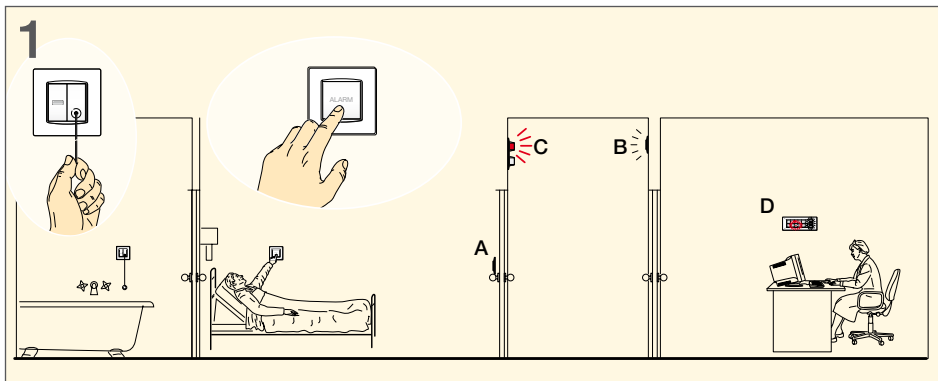
20183.B
white



20183.N
Next



20183 - Example of use



1) The patient makes a call by pressing the push button 20010.0+20022 ("ALARM" customized), or by pressing 20053, cord-operated push button, thereby activating:

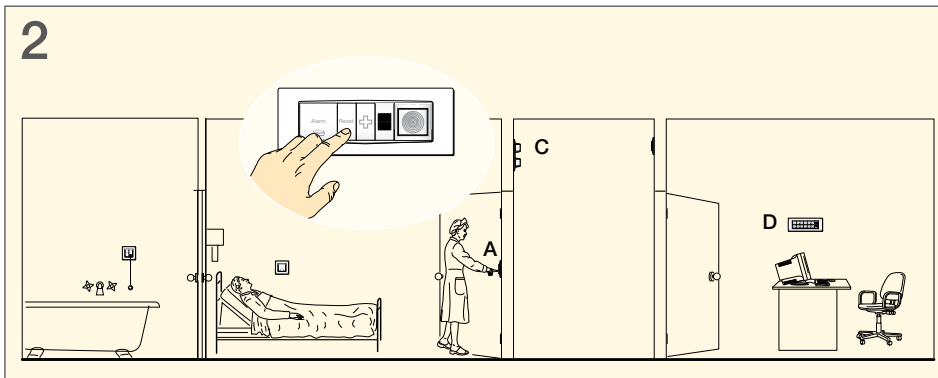
A. SET/RESET 20183 switch and its corresponding indicator unit in the patient's room;

B. bell in the corridor;

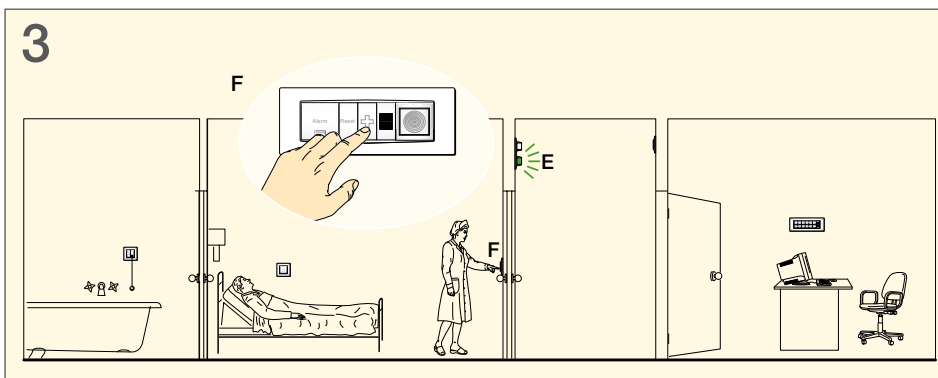
C. lights 20387.R red indicator unit in the corridor;

D. lights 20386.R red indicator unit in the nurse's station and 20373 bell corresponding to the caller's number.

Note: the bell B is silenced after 3 seconds; the indicator unit lights A - C - D begins flashing to confirm the call



2) The nurse who enters the patient's room resets the push button 20010 (with "RESET" customization), stopping the flashing of devices A - C - D .



3) If the nurse needs to stay in the room he/she may notify thereof by activating 20015 2P 1-way switch (customized 2P) thereby:

E. light 20387.V green indicator unit in the corridor;

F. enables operation of the 20378 buzzer in case of call from another room.