

Touch switches - TECHNICAL CHARACTERISTICS

Scope

The touch switches make it possible to control (switch on, off and adjust) loads such as incandescent lights, fluorescent lights, with and without power factor correction, dedicated circuits for motorized appliances and controlled sockets (electronic switches only). Thanks to the capacitive response microprocessor technology (Vimar patent), with extra-flat profile, total absence of moving parts and the silent operation, these devices are an innovative and prestigious alternative to conventional controls such as 1-way switches, 2-way switches, etc.

Conformity to Standards

LV Directive
EMC Directive
EN 60669-2-1 Standard

Electronic touch switch with relay output Technical specifications

- Supply voltage: 230 V~ 50-60 Hz
- Relay output: 6 A 230 V~
- Operating: monostable or bistable
- Pilot lamp for visibility in darkness
- Operating temperature: -5 °C - +35 °C

Controllable loads

- Resistive loads \sim : 6 A
- Halogen and incandescent lamps ⚡ : 1000 W
- Ferromagnetic transformers ⚡ : 1000 VA
- Electronic transformers ⚡ : 700 VA
- Fluorescent and compact fluorescent lamps: 60 W
- Motors ⚡ : 1,8 A $\cos\phi$ 0,6

Electronic touch switch for incandescent lamps

Technical specifications

- Supply voltage: 230 V~ 50-60 Hz
- Pilot lamp for visibility in darkness
- External fuse: F1,6 AH 250 V~
- Operating temperature: -5 °C - +35 °C

Connection

The connection should be made together with a 20416 fuse carrier with a quick-acting fuse with high breaking capacity type F1,6AH 250 V~

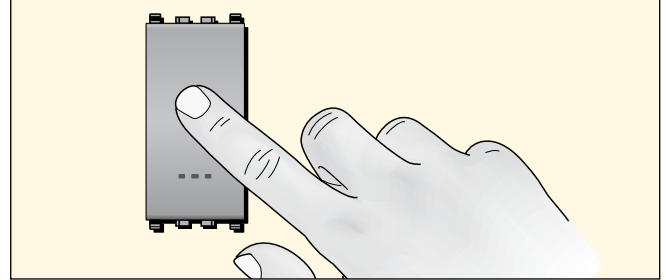
Controllable loads

Halogen and incandescent lamps ⚡ : 40-300 W

Operating

- Front LED: always on
- Controls:
 - touch button: controls are made by lightly placing a finger on the front of the device
 - operation from several points using 20123 remote control touch buttons or NO push buttons (max range 100 m); do not use buttons with built-in indicator unit.

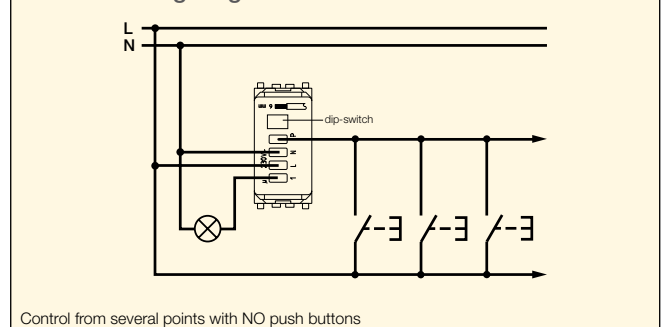
Use of touch switch



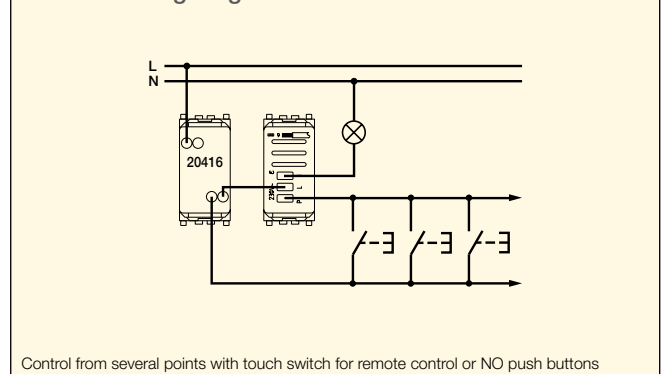
Operating

- Front LED: always on
- Controls:
 - touch button: controls are made by lightly placing a finger on the front of the device;
 - operation from several points using 20123 remote control touch buttons or NO push buttons (max range 100 m); do not use buttons with built-in indicator unit.
- Dip-switch:
 - both OFF: monostable operating;
 - both ON: bistable operating.

20120 - Wiring diagram



20121 - Wiring diagram



- Operating: bistable
- The device is connected in series with the load to control, in addition, it can substitute a normal switch.

Touch switches

Electronic touch switch with relay output

20120 .B .N Electronic switch with NO 6 A 230 V~ relay output, control with built-in touch sensor or from NO peripheral push buttons, monostable or bistable operating, visible in darkness, supply voltage 230 V~ 50-60 Hz



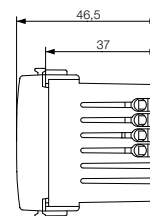
20120
grey



20120.B
white



20120.N
Next



Electronic touch switch for incandescent lamps

20121 .B .N Electronic switch, supply voltage 230 V~ 50-60 Hz for 40-300 W incandescent lamps, control with built-in touch sensor or from NO peripheral push buttons, bistable operating, visible in darkness



20121
grey



20121.B
white



20121.N
Next

