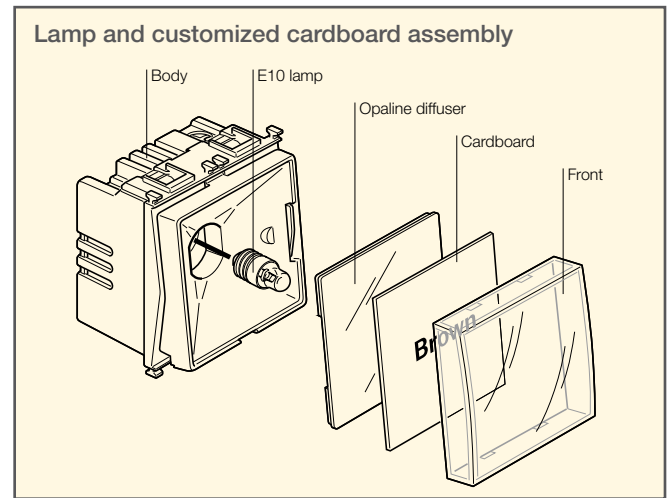
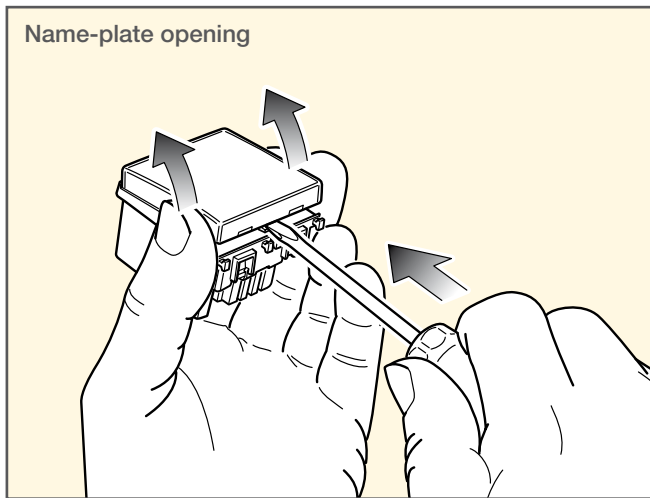


Switches - TECHNICAL CHARACTERISTICS

Lightable name-plate push button



Technical characteristics of lamps

Article	Type	Tension	W	Colour
14775	incandescent	24 V	1,2 W max	white
14778	neon	230 V~	0,5 W max	red
14779	neon	230 V~	0,5 W max	red

1P name-plate push button

20050	.B	.N	1P NO 10 A lightable name-plate push button for E10 10x28 mm 1 W max lamp - 2 modules. Supplied without lamp
--------------	-----------	-----------	---



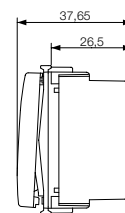
20050
grey



20050.B
white



20050.N
Next



1P cord-operated push button

20052	.B	.N	1P NO 10 A cord-operated push button, with 1,5 m cord
20053	.B	.N	1P NC 10 A cord-operated push button, with 1,5 m cord



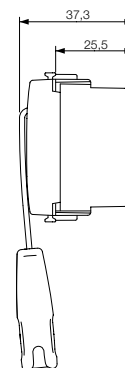
20052
20053
grey



20052.B
20053.B
white



20052.N
20053.N
Next



Additional 1P push button 250 V~

20056.33	.B	.N	1P 10 A push button, NO+ NC contacts, OFF symbol
20056.34	.B	.N	1P 10 A push button, NO+ NC contacts, ON symbol
20058	.B	.N	Two independent push buttons, 1P NO + 1P NC 10 A, ON and OFF symbols



20056.33
grey



20056.33.B
white



20056.33.N
Next



20056.34
grey



20056.34.B
white



20056.34.N
Next



20058
grey



20058.B
white



20058.N
Next

