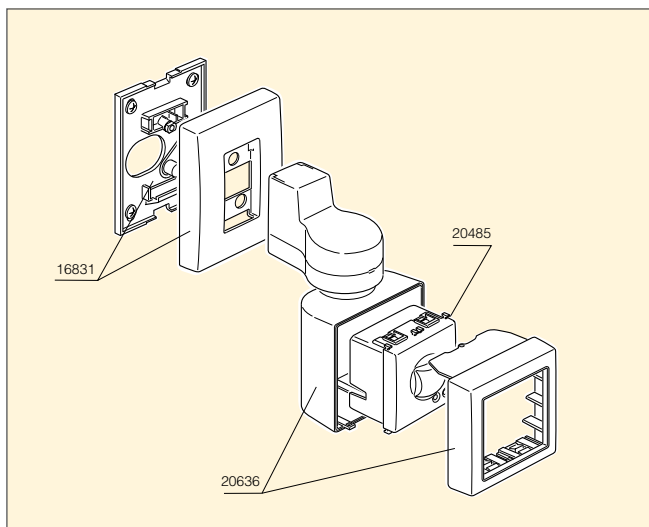
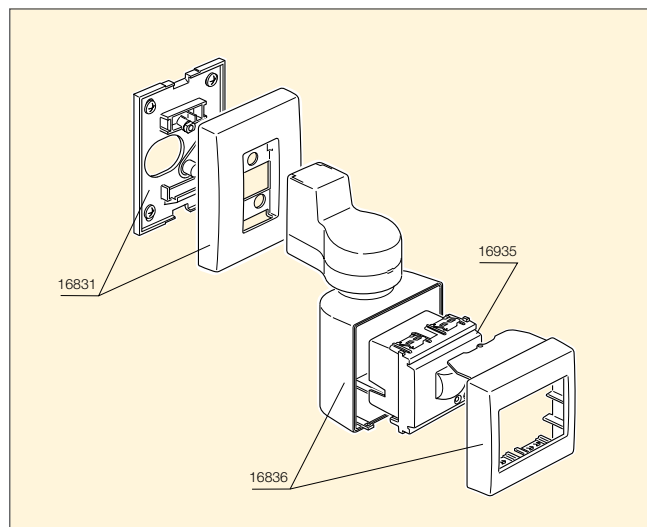


Accessories - TECHNICAL CHARACTERISTICS

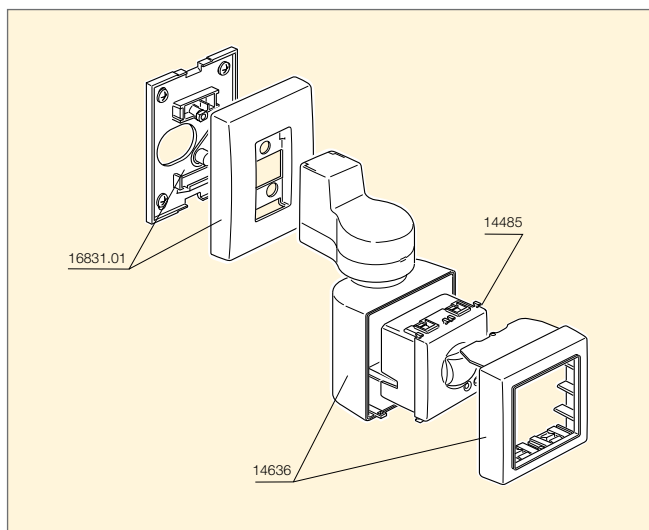
Example of Eikon surface mounting



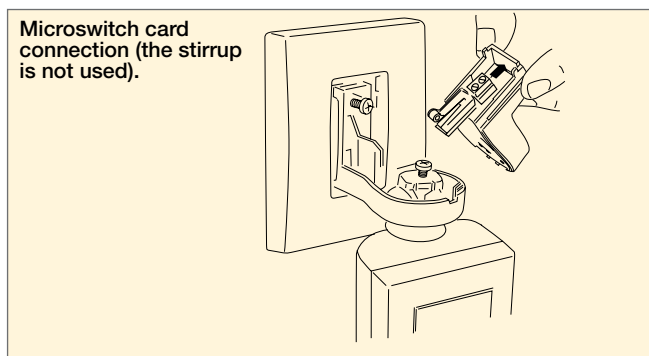
Example of Idea surface mounting



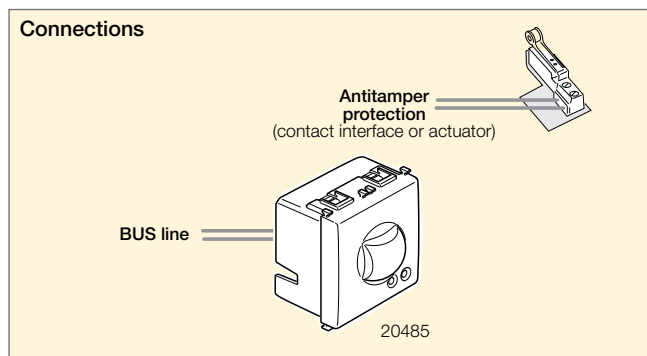
Example of Plana surface mounting



16897.S antitamper kit on 16831 frame



Connections



Frame for surface mounting orientable support

Frame for surface mounting orientable supports

EIKON



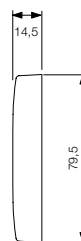
16831
grey



16831.01
white



16831.N
Next



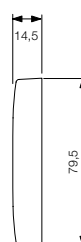
IDEA



16831
grey



16831.B
white



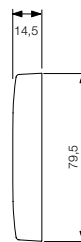
PLANA



16831.01
white



16831.SL
Silver



Antitamper kit

16897.S Antitamper kit for orientable support



16897.S