

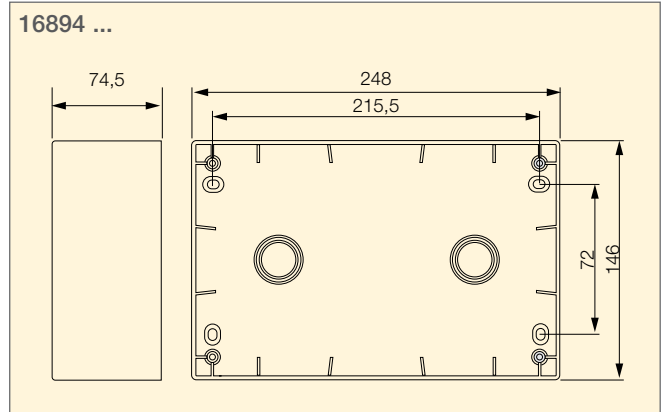
Mounting boxes - TECHNICAL CHARACTERISTICS

16894 - Surface mounting box

Conformity to Standards

LV Directive

CEI EN 60670-1 Standard



16895 - Flush mounting box

Conformity to Standards

LV Directive

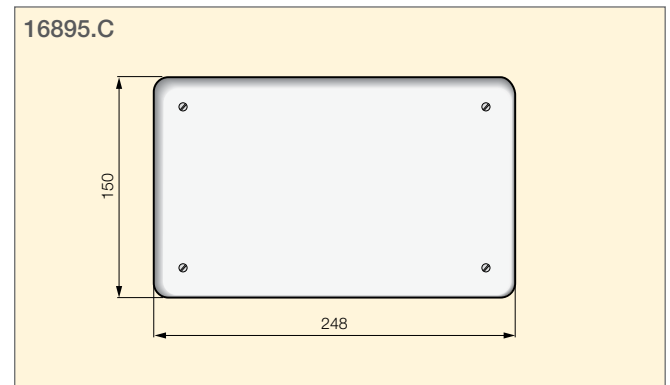
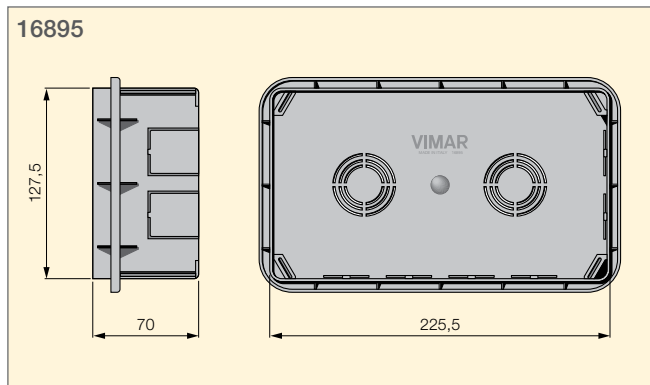
CEI EN 60670-22 Standard

Cover for 16895

Conformity to Standards

LV Directive

CEI EN 60670-22 Standard

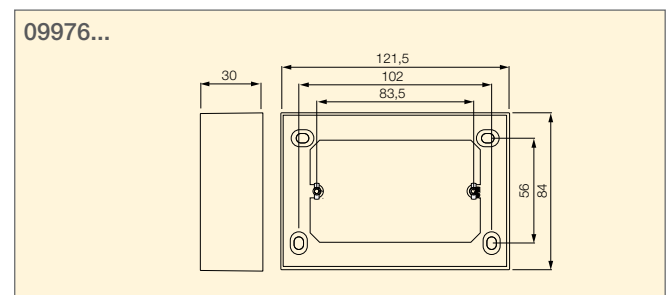
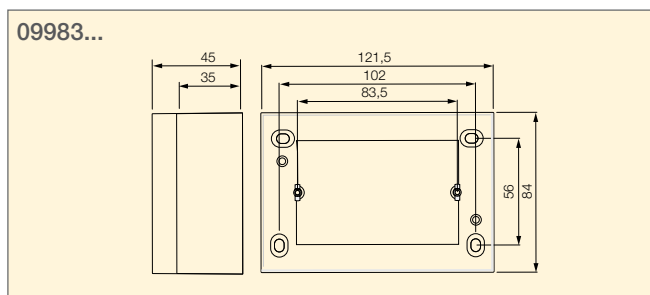
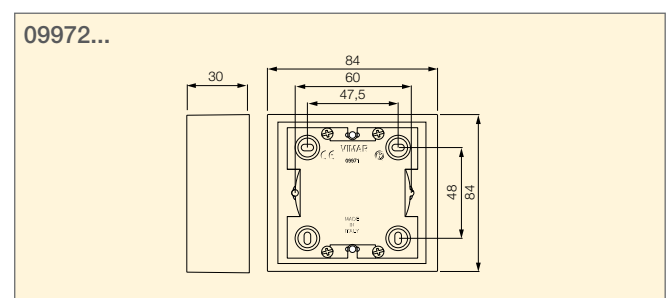


Surface mounting boxes

Conformity to Standards

LV Directive

CEI EN 60670-1 Standard



Mounting boxes

Surface mounting box

16894... Surface mounting box for back-up unit



16894
grey



16894.01
Eikon/Plana white



16894.N
Eikon Next



16894.B
white Idea



16894.01
white Plana

Flush mounting box

16895 Flush mounting box for back-up unit and power supply unit, light blue, dim. 225,5x127,5x70 mm

19895.C Cover for 16895

16895.A Plasticized antimortar cover for 16895



16895



16895.C

Surface mounting box

09983 .01 .N Rectangular box for Eikon 3-module surface mounting, 35/45 mm deep

09976.14 .04 Rectangular box for Idea 3-module surface mounting, 30 mm deep. Only for Classica cover plate

09972.01 .SL Square box for Plana 1- or 2-module surface mounting, 30 mm deep

EIKON



09983
grey



09983.01
white



09983.N
Next

IDEA



09976.14
grey



09976.04
white

PLANA



09972.01
white



09972.SL
Silver