

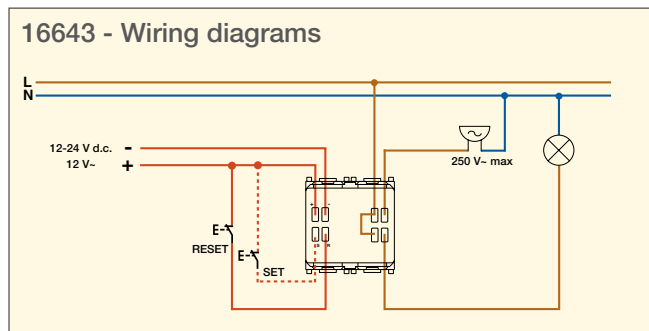
Special switches - TECHNICAL CHARACTERISTICS

Scope

It makes possible to develop a calling system for hospital (hospitals, rest homes, clinics) or industrial environments (factories, noisy laboratories), combined with remote optical and acoustic signalling functions to satisfy needs for assistance, intervention, emergency, etc.

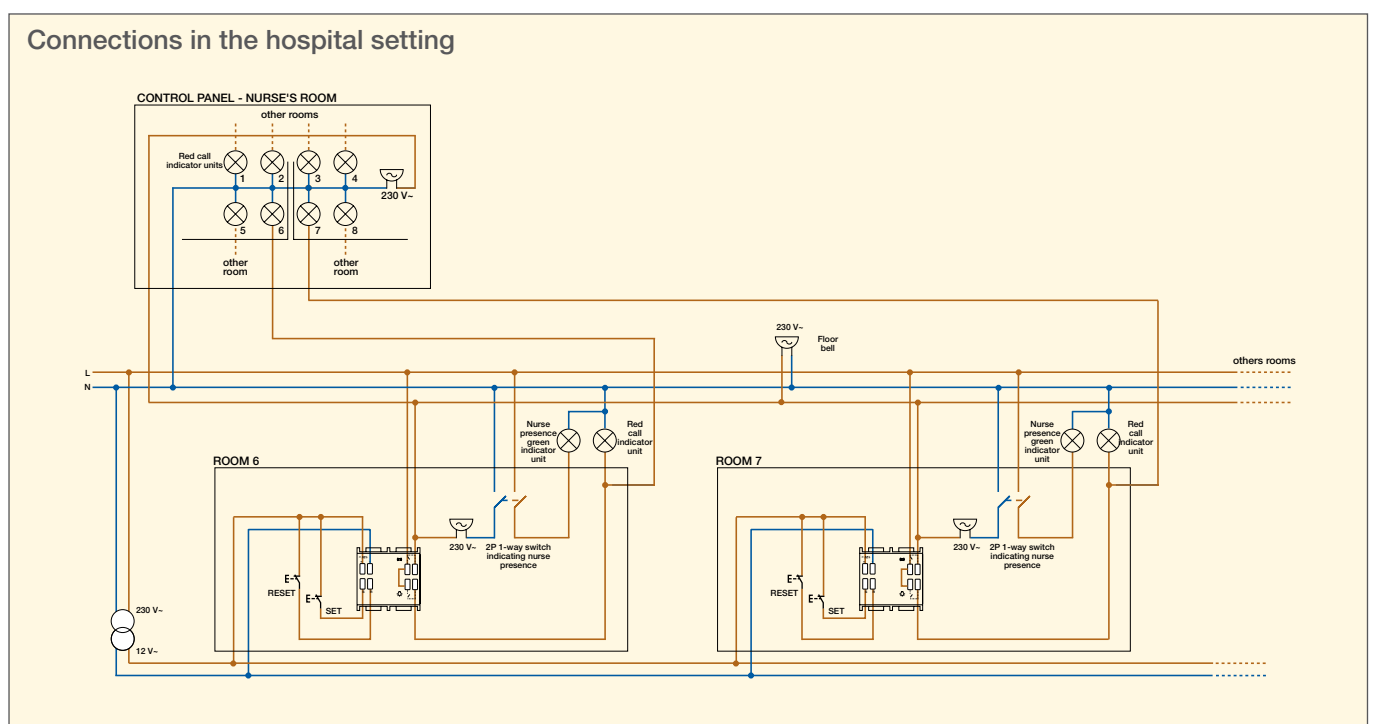
Conformity to Standards

LV Directive
EMC Directive
EN 60669-2-1 Standard



Technical specifications

- supply voltage: 12-24 V d.c. / 12 V~ ±10% 50-60 Hz
- absorption: approximately 100 mA with active RL1 and RL2 alarm outputs
- front switch: SET push button
- two-color LED:
 - green: device supplied and no activated alarm
 - flashing red: alarm activated
- input:
 - normally closed connected to positive (+) terminal for SET function
 - normally closed connected to positive (+) terminal for RESET function
- RL1 alarm output: NO 5 A 250 V~ relay output with double insulation with respect to power supply and push buttons
- RL2 alarm output: NO 5 A 250 V~ relay output with double insulation with respect to power supply and push buttons
- controllable loads:
 - resistive loads \sim : 5 A
 - incandescent lamps ⊗ : 500 W
 - magnetic core transformers for very low voltage incandescent lamps (e.g. halogen lamps) ⊗ : 500 W



Special switches

SET/RESET device

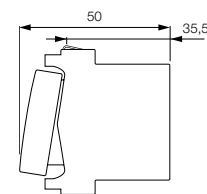
16643 .B SET/RESET push button for emergency call system, visible in darkness, 2 NO 5 A 250 V~ relay outputs, for acoustic and optical signalling, supply voltage 12 V~ 50-60 Hz or 12-24 V d.c. (SELV) - 2 modules.
 SET with built-in push button or from peripheral NC push buttons connected in series. RESET from peripheral NC push buttons connected in series



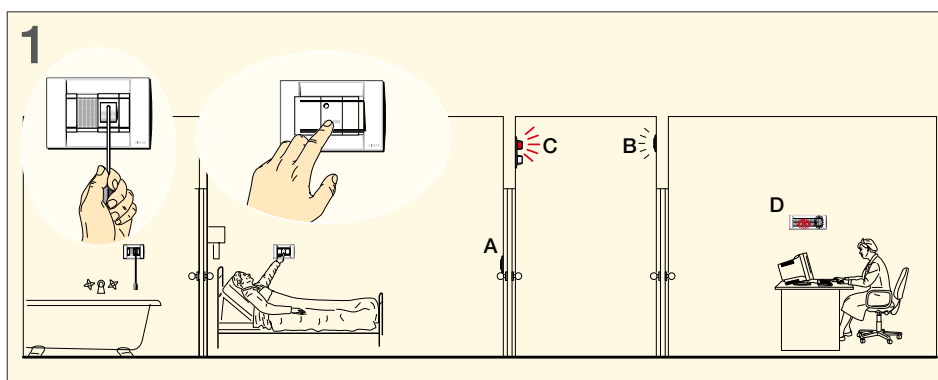
16643
grey



16643.B
white



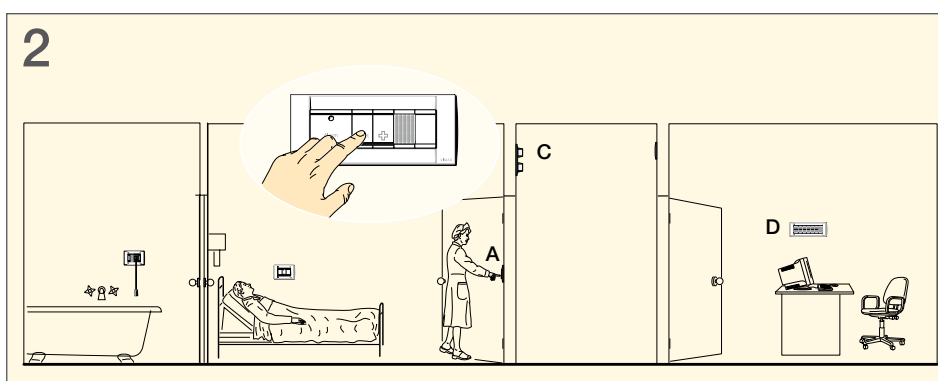
16643 - Example of use



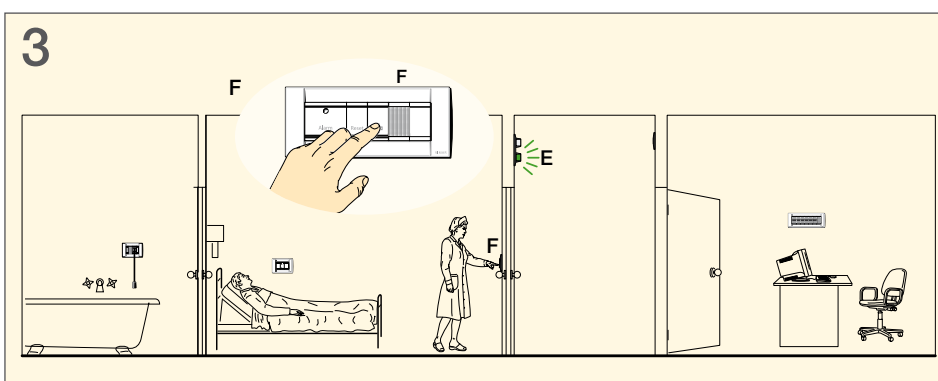
1) The patient makes a call by pressing the push button 16092 (with "ALARM" customization), or by pressing the cord-operated push button 16083, thereby activating:

- A. SET/RESET device 16643 and its corresponding indicator unit in the patient's room;
- B. bell in the corridor;
- C. lights red indicator unit 16433.R in the corridor;
- D. lights red indicator unit 16431.R in the nurse's station and the bell 16403 corresponding to the caller's number.

Note: the bell B is silenced after 3 seconds; the indicator unit lights A - C - D begins flashing to confirm the call.



2) The nurse who enters the patient's room resets the push button 16092 (with "RESET" customization), stopping the flashing of devices A - C - D.



3) If the nurse needs to stay in the room he/she may notify thereof by activating the 2P 1-way switch 16016 (customised ⏏) thereby:

- E. lights green indicator unit 16433.V in the corridor;
- F. enables operation of the buzzer 16408 in case of call from another room.