

Infrared switches - TECHNICAL CHARACTERISTICS

Infrared switches

Automatic switch-on of equipments when persons or animals pass through the detection area of the IR motion sensor.

Installation

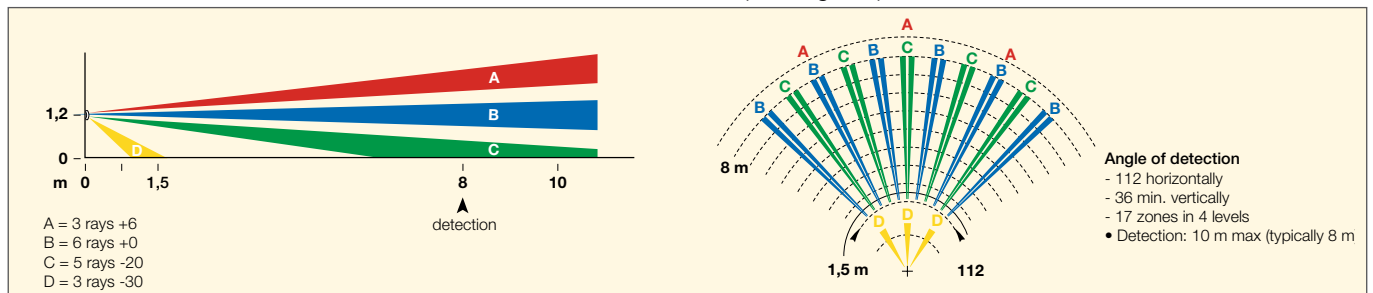
- indoor installation
- flush mounting: 1,1-1,2 m above floor level
- possibility of mounting with 20635 orientable support, flush mounting with 20637 or surface mounting with 16831
- possibility of connecting in parallel additional infrared switches to control one or more lamps
- possibility of "bypassing" or interrupting the output circuit with normal electromechanical switches.

Conformity to Standards (16633 and 16634)

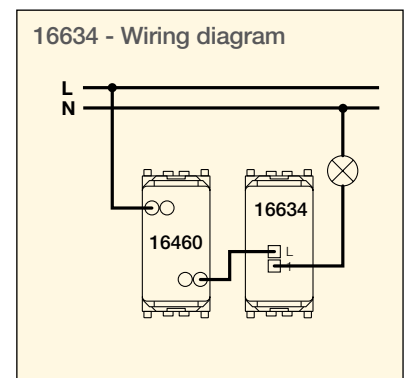
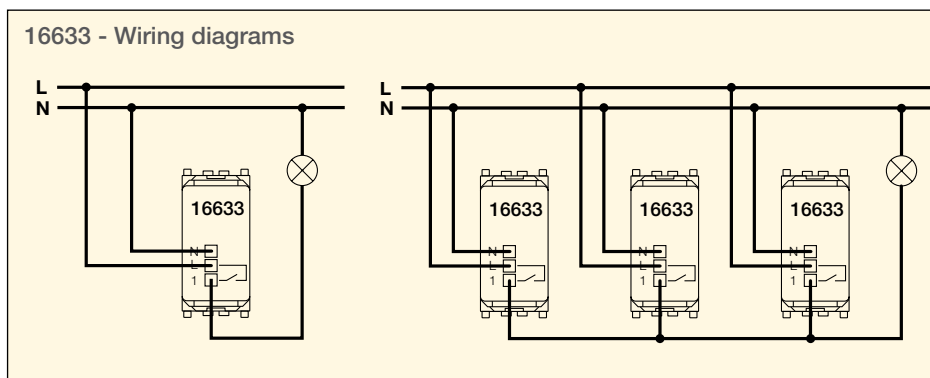
LV Directive
EMC Directive
EN 60669-2-1 Standard

Technical specifications

- supply voltage:
16633, 16634: 230 V~ 50-60 Hz ; **16633.120:** 120 V~ 50-60 Hz
- 16633: NO relay output
- 16634: TRIAC output for incandescent lamps 60-300 W
- 16633.120: power relay output
- controllable loads:
 - resistive loads \sim : 6 A (16633), 1,3 A (16634)
 - halogen and incandescent lamps \odot : 1000 W (16633), 60-300 W (20184), 500 W (16633.120)
 - ferromagnetic transformers \square : 1000 VA (16633), 500 VA (16633.120)
 - electronic transformers \square : 700 VA (16633), 350 VA (16633.120)
 - fluorescent or compact fluorescent lamps: 60 W (16633), 30 W (16633.120)
- **motors \odot : 1,8 A $\cos \varphi$ 0,6 (16633 and 16633.120)**
- not suitable for direct control of fluorescent lamps
- front-mounted twilight sensor positioned under the Fresnel lens, with trigger threshold adjustable from approximately 5 lx to 'daylight' using the front-mounted trimmer.
- time delay adjustable from 15 s to approximately 10 min, adjustable from the front-mounted trimmer.
- pyroelectric sensor and Fresnel lens with volumetric coverage
- operating temperature: 0 - +40 °C



16633/16634 - Front view		Regulations		
	Only in the dark	Crepuscular	Always on	
	~ 15 s	~ 5 min	~ 10 min	



Infrared switches

Infrared switch

16633	.B	Automatic lighting switch with IR motion sensor, adjustable dusk/dawn sensor threshold and time delay cycle, NO 6 A 230 V~ relay output, supply voltage 230 V~ 50-60 Hz
*16633.120	.B	Automatic lighting switch with IR motion sensor, adjustable dusk/dawn sensor threshold and time delay cycle, NO 6 A 120 V~ relay output, supply voltage 120 V~ 50-60 Hz
16634	.B	Automatic lighting switch with IR motion sensor, supply voltage 230 V~ 50-60 Hz for 60-300 W incandescent lamps, adjustable dusk/dawn sensor threshold and time delay cycle



16633
grey



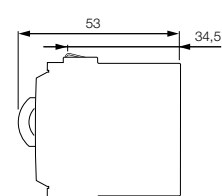
16633.B
white



16633.120
grey



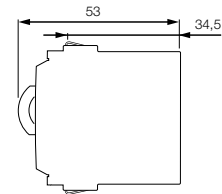
16633.120.B
white



16634
grey



16634.B
white



Orientable support

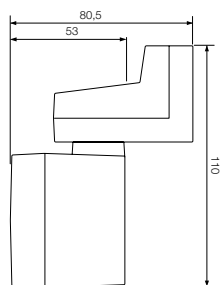
16835	.B	1-module orientable support
16830		Adaptor for orientable support flush mounting
16831	.B	Frame for 20635 orientable support surface mounting



16835
grey



16835.B
white



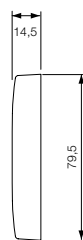
16830



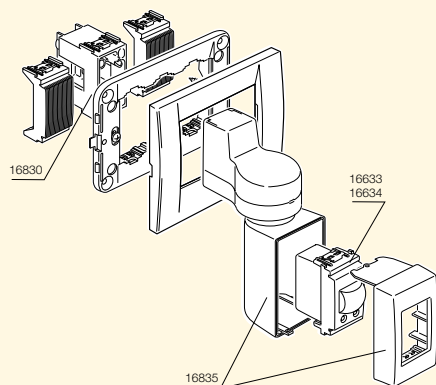
16831
grey



16831.B
white



16835 - Flush mounting with 16830



16835 - Surface mounting with 16831

