

Infrared switches - TECHNICAL CHARACTERISTICS

16622

Infrared receiver with 6 A 230 V~ relay output

- Supply voltage: 230 V~ 50-60 Hz
- Operating: monostable and bistable
- Operating status LED
- Infrared control, RC5 protocol
- Operating temperature: -5 °C - +35 °C

Controllable loads.

- Resistive loads \sim : 6 A
- Incandescent and halogen lamps \odot : 1000 W
- Ferromagnetic transformers \square : 1000 VA
- Electronic transformers \square : 700 VA
- Fluorescent and compact fluorescent lamps: 60 W
- Motors M : 1,8 A $\cos\phi$ 0,6

Conformity to Standards

LV Directive
EMC Directive
EN 60669-2-1 Standard

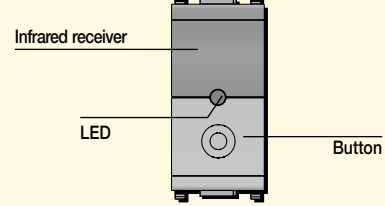
Operating.

- Switch on/off with:
 - button on the front of the device;
 - control from several point with NO push buttons (max. range 100 m); do not use push buttons with built-in indicator unit;
 - infrared operation with button on remote control.
- Operating status indication (to be set at the time of the configuration);
- Monostable operation (button mode) confirmed by LED: LED stays on steady for 10 seconds at the start, then flashes 3 times and monostable operation is enabled
- Bistable operation (step mode) confirmed by LED: LED stays off for 10 seconds at the start, then flashes 3 times and bistable operation is enabled
- Programmable flashing LED
- To increase the reception range, connect additional receivers

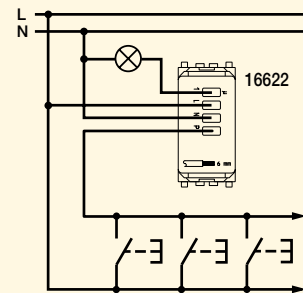
01849 - Remote control technical specifications

The infrared remote control operates like a little 'full option' control unit. No dip-switch to set but only 4 channels, that allow an easy setting of the receivers, through RC5 protocol transmission. This type of data capture permits the remote control to control any other appliances.

16622 - Front view

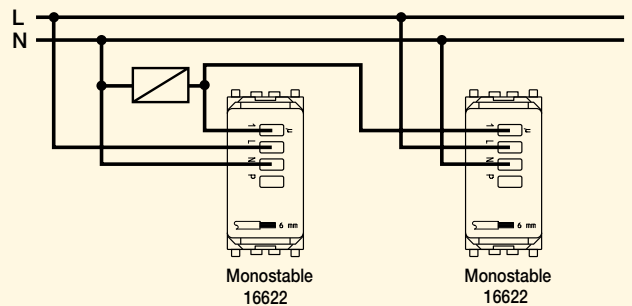


Control from several points with NO push buttons

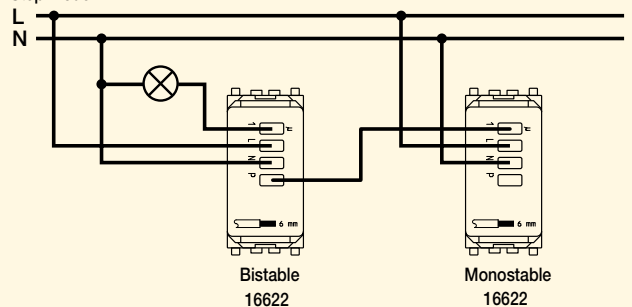


Connections with additional receivers

Button mode



Step mode



Infrared switches

Infrared receiver

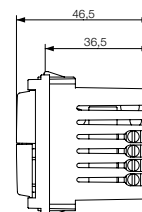
16622 .B Infrared receiver, NO 6 A 230 V~ relay output, control with built-in button, from 01849 remote control or from peripheral points with NO push buttons, monostable or bistable function, visible in darkness, supply voltage 230 V~ 50-60 Hz



16622
grey



16622.B
white



Infrared remote control

01849 14-channel infrared remote control, supply with AAA LR03 1,5 V battery. Supplied without battery



01849