


Dimmer - TECHNICAL CHARACTERISTICS

16600 - 16601 - Dimmers

Technical specifications

- SLAVE dimmers need MASTER dimmers to function.
- Lighting, adjusting and turning off with incorporated buttons or normal buttons without pilot light when off.
- Lighting level is saved when turned off (unless there is a blackout).
- Soft start: ensures gradual lighting from zero to maximum or preset lighting levels. This way the life of a lamp is increased by reducing stress on the filament and prevents light flash.
- Soft end: ensures a gradual passage from light to dark.
- Protection against short-circuit when turning on together with flashing blowout detector.
- Overheating protection with flashing blowout detector.
- MASTER-SLAVE function: paying attention not to exceed maximum power controllable by each dimmer. A MASTER device can have up to 4 SLAVE devices for a maximum total load of 2500 W (VA) corresponding to 500 W/VA max connected to each of the 5 devices.
- It should be used in dry, dust-free places at a temperature between 0 °C and +35 °C.

Controllable loads


- halogen and incandescent lamps: 40-500 W 230 V~ 50 Hz.
- ferromagnetic transformers for low-voltage halogen lamps: 40-500 VA 230 V~ 50 Hz.
- electronic transformers VIMAR 01860.60 max 4, or 01860.105 max 3
- electronic transformers with inductive response : 40-300 VA 230 V~ 50 Hz (300 VA max in case of connection from 1 to 3 transformers, 240 VA in case of connection of 4 transformers; do not connect more than 4 transformers).
- Not suitable to control motors (e.g. ventilators and exhaust fans).

16602 - Dimmer

Technical specifications

- Lighting, adjusting and turning off with incorporated buttons or normal buttons without pilot light when off.
- Lighting level is saved when turned off (unless there is a blackout).
- Soft start: ensures gradual lighting from zero to maximum or preset lighting levels. This way the life of a lamp is increased by reducing stress on the filament and prevents light flash.
- Soft end: ensures a gradual passage from light to dark.
- Protection against short-circuit when turning on together with flashing blowout detector.
- Overheating protection with flashing blowout detector.
- It should be used in dry, dust-free places at a temperature between 0 °C and +35 °C.

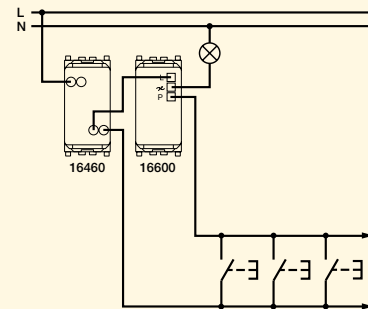
Controllable loads

- Electronic capacity transformers : 40-300 VA 230 V~ 50 Hz (max 5 transformers).
- Not suitable for controlling motors (e.g. fans, ventilators).

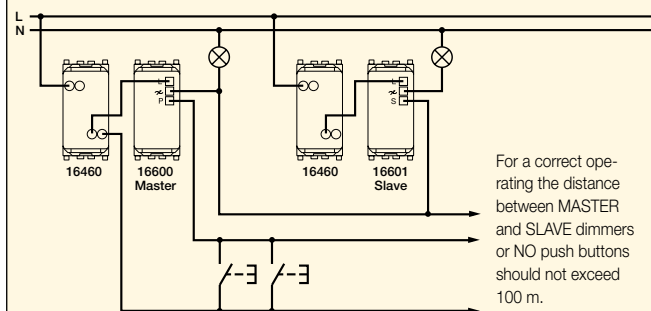
Operating

- Turn on and off by pressing the button quickly and make adjustments by keeping it pressed. Stop and restart to change direction.
When maximum or minimum load is reached, dimming stops and can be inverted by pressing the dimmer again.
- If the pilot light does not turn on check the fuse and if necessary replace it with the same model.
- If the pilot light flashes when turned on check it and replace the load if necessary (short-circuit load).

16600 - Control from NO peripheral push buttons



16601 - Control with SLAVE dimmer

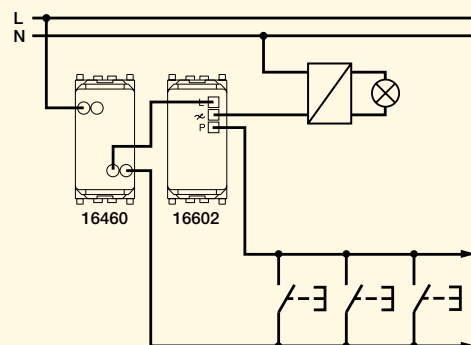


- For installation with 2 dimmers in the same mounting box, the loads controllable by each dimmer should be reduced so that their total does not exceed the values indicated above.

Conformity to Standards

LV Directive
EMC Directive
EN 60669-2-1 Standard

16602 - Control from peripheral NO push buttons



- If the pilot light flashes after turning on, the load is in short-circuit or the installation has not been carried out correctly and the overheating protection has been activated. Check and if necessary replace the load. If the problem remains have the system checked by an expert.

Conformity to Standards

LV Directive
EMC Directive
EN 60669-2-1 Standard

Dimmers

Dimmer

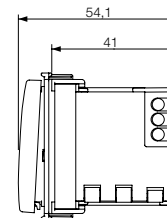
16600	.B	Dimmer, supply voltage 230 V~ 50 Hz for: 40-500 W incandescent lamps, 40-500 VA ferromagnetic transformers and 40-300 VA inductive response electronic transformers, control and regulation with built-in push button or from peripheral NO push buttons, MASTER function, MOSFET+TRIAC technology, visible in darkness
16601	.B	SLAVE dimmer, supply voltage 230 V~ 50 Hz for: 40-500 W incandescent lamps, 40-500 VA ferromagnetic transformers and 40-300 VA inductive response electronic transformers, control from 16600 dimmer, MOSFET+TRIAC technology, visible in darkness



16600
grey



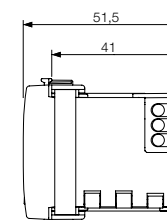
16600.B
white



16601
grey



16601.B
white



Dimmer

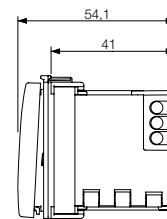
16602	.B	Dimmer, supply voltage 230 V~ 50 Hz for 40-300 VA capacitive response electronic transformers, control and regulation with built-in push button or from peripheral NO push buttons, MOSFET technology, visible in darkness
--------------	-----------	---



16602
grey



16602.B
white



Controllable loads	Characteristics controllable transformer	16600 MASTER	16601 SLAVE	16602
	-	40 - 500 W	40 - 500 W	-
	-	40 - 500 VA	40 - 500 VA	-
		40 - 300 VA	40 - 300 VA	-
		-	-	40 - 300 VA

NOTE

- The connection should be made together with a fuse carrier with quick-acting fuse with high breaking capacity F2,5AH 250 V~ (07050.HF.2.5) as shown in the diagrams on the previous page.
- For installation with 2 dimmers in the same mounting box, the loads controllable by each dimmer should be reduced so that their total does not exceed the values here indicated.