

Dimmers - TECHNICAL CHARACTERISTICS

Electronic time delay switches

Technical specifications

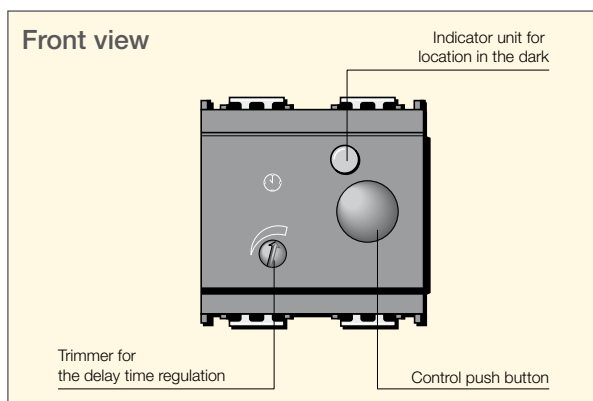
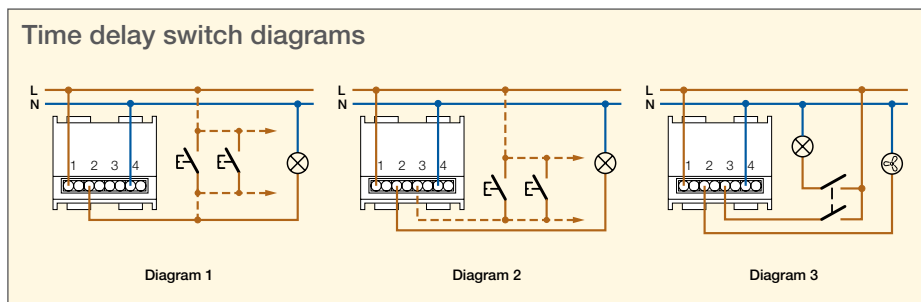
- supply voltage: 230 V~
- output relay with contact rating:
 - 6 A 230 V~ for incandescent lamps
 - 2 A 230 V~ for incandescent lamps and motor-driven equipments
- delay range: from 30 s to 15 min
- it can be parallel connected with non-luminous NO push buttons

Conformity to Standards

LV Directive
EMC Directive
EN 60669-2-1 Standard

Operating

- control of the load with time delay switching off through built-in push button or through parallel connected non-luminous NO push buttons:
 - diagram 1: the delay time cycle is settable pressing both on the built-in push button and, when lights are off, on the external push buttons
 - diagram 2: the delay time cycle is resettable also when lights are on, pressing either on the built-in push button, or on the external push buttons
- control of lights and households exhaust fans through 2P 1-way switch:
 - diagram 3: simultaneous operation of lights and exhaust fan. The delay time cycle starts at lights switching off and it is resettable pressing on the built-in push button. The exhaust fan will switch off at the end of the delay time cycle.



Electronic time delay switch

16572 .B Electronic time delay switch for the control of staircases and utility rooms lighting, of exhaust fans, NO 6 A 230 V~ relay output, visible in darkness, supply voltage 230 V~ 50-60 Hz - 2 modules



16572
grey



16572.B
white

